



Materials

Body: Stainless steel

Internal Components:
Stainless steel

Seals: Specially formulated polymers and elastomers specific to high-pressure NGV applications.



ILB-5

Features

- ◆ **High-Flow/Super Fast Fill Capacity** - This breakaway will provide quick fueling of large storage vehicles. Internal seals are specifically designed to meet the demands of fast-fill NGV fueling.
- ◆ **Durable, Corrosion-Resistant Construction** - stainless steel and specially plated steel construction provide improved durability and corrosion resistance in harsh environments.
- ◆ **Reconnectable Design** - allows the component to be reused, reducing maintenance costs.
- ◆ **Innovative Valve System** - the sealing system in this breakaway minimizes the amount of vent gas released during a drive-away incident.
- ◆ **Easy Installation** - the in-line breakaway has SAE-10 O-ring fittings for easy installation in line between the dispenser and nozzle.

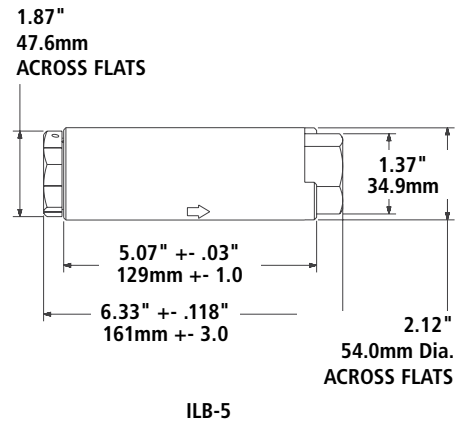
- ◆ **Disconnection Force** - 150 lbs. (668 N).
- ◆ **Individually Inspected, Leak and Breakaway Tested, with Traceable Serial Numbers**

Specifications:

Min. Flow Rate: 5500 SCFM @ 3000 psid
 Temperature Range: -40° F to 185° F
 (-40° C to 85° C)
 Cv: 3.6
 MAWP: 4532 psi (312.5 Bar)

In-Line Breakaway (ILB-5) - Heavy-Duty Truck/Bus

Designed for high flow and heavy-duty truck and bus NGV refueling applications. This unit will function consistently, independent of the inlet pressure.



ILB-5

Ordering Specifications

Product #	Inlet Thread Size	Outlet Thread Size	Service Pressure	Weight
ILB-5	SAE - 10, 7/8" - 14 UNF (female)	SAE - 10, 7/8" - 14 UNF (female)	3600 psi 250 bar	5 lb. - 2.26 kg

Listings and Certifications



PED
2014/68/EU

NGV4.4

CE 0036

CRN

See page 23 for Canadian Registration Number

Canadian Registration Numbers by Province

Canadian Registration Numbers OPW CleanEnergy Products	British Columbia	Alberta	Ontario	Quebec	Saskatchewan	Manitoba	Nova Scotia	New Brunswick
NT2A series	0C21049.21	0C21049.2	0C21049.25	0C21049.26	0C21049.23	0C21049	0C21049.29	0C21049.29
CT1000 series	0H18834.21	0H18834.2	0H18834.25	0H18834.26	0H18834.23	0H18834.24	0H18834.28ADD1	0H18834.27ADD1
CT5000	0H15417.51	0H18834.2	0H15417.5	0H15417.56	0H15417.56	0H15417.54	0H15417.58ADD1	0H18834.27
CC600 series	0H18834.21	0H18834.2	0H18834.25	0H18834.26	0H18834.23	0H18834.24	0H18834.28ADD1	0H18834.27ADD1
ILB-1	0H18834.21	0H18834.2	0H18834.25	0H18834.26	0H18834.23	0H18834.24	0H18834.28ADD1	0H18834.27ADD1
ILB-5	0H15417.51	0H15417.52	0H15417.5	0H15417.56	0H15417.56	0H15417.56	Pending	Pending
VLB	0H13989.51	0H13989.52	0H13989.5	0H13989.56	0H13989.56	0H13989.56	Pending	Pending
FLB-1000	0H17341.51	0H17341.52	0H17341.5	0H17341.56	0H17341.56	0H17341.56	0H17341.5987	0H17341.5987
FLB-5000	0H17341.51	0H17341.52	0H17341.5	0H17341.56	0H17341.56	0H17341.56	0H17341.5987	0H17341.5987
NGVLB	0H17341.51	0H17341.52	0H17341.5	0H17341.56	0H17341.56	0H17341.56	0H17341.5987	0H17341.5987
BDN	Pending	0H17140.21	0H17140.25	0H17190.26	Pending	0H17140.24	Pending	Pending

TUV Approved

- ◆ NT2A series nozzles
- ◆ CT1000 series nozzles
- ◆ CT5000 series nozzles
- ◆ CC 6000 series nozzles
- ◆ ILB series breakaways
- ◆ FLB series breakaways
- ◆ NGVLB series breakaways
- ◆ LB, LD, LE series receptacles
- ◆ CL series receptacles