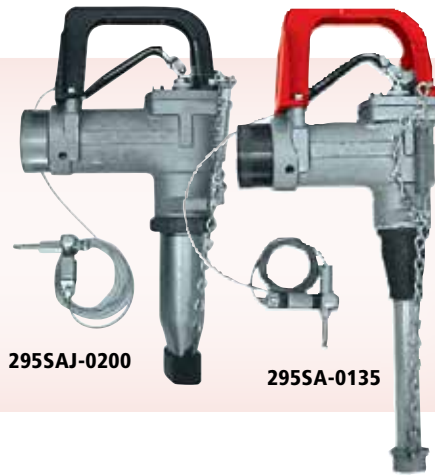


Materials

- Body:** Cast aluminum
- Main Stem:** Stainless steel
- Stem Seal:** Buna-N O-Ring
- Disc:** Viton®
- Spout:** Aluminum



Features

- ◆ Aluminum Body – lighter weight, easier to maneuver.
- ◆ Dual Poppets – easy-to-open nozzle against high inlet pressures.
- ◆ Color-Coded Composite Lever Guards – helps distinguish between AVGAS and Jet A. Easily replaced in lever guard kit.
- ◆ Right Angle Design – provides larger lever area for better grip and easier control.
- ◆ Vinyl-Coated Lever – insulates fingers against cold.
- ◆ 100 Mesh Strainer – prevents foreign matter from entering fuel tank; easy to remove and clean.
- ◆ Dust Cap – keeps spout free from dirt and stops fuel drippage when connected.
- ◆ Adjustable Dash Pot – permits adjusting the main poppet closure rate over a wide range of flows to overcome line shock with minimum afterflow.
- ◆ Easily replaced spout – the spout is easily threaded into the body. Replacement spouts are readily available from OPW.
- ◆ Built-In Swivel – eliminates twisting and kinking of the hose. This swivel is electroless nickel-plated and has full-bearing surfaces.
- ◆ NPT Female Threads at Inlet End of 295SA – accepts all 1", 1-1/4" or 1-1/2" male connections.
- ◆ NPT Female Threads At Inlet End Of 295SAJ – accepts all 1-1/2" male connections.
- ◆ Unique Jet Aircraft Spout Design of 295SAJ – to help prevent inadvertent fueling of piston engine aircraft with turbine fuel.
- ◆ Ground Wire Assembly – included on all aviation nozzles.

Design working pressure

- ◆ 110 psi (7.58 bar) maximum pressure

Level Guard Replacement Kits

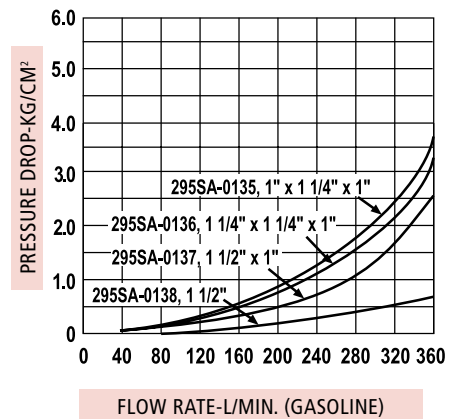
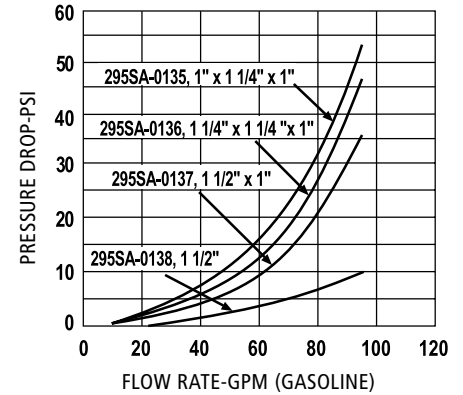
| Product # | Nozzle |
|-------------|---|
| 295KLG-0300 | 295SA-0135, 0136, 0137, 295SAC-0156, 0157 Red |
| 295KLG-0350 | 295SA-0138, 275SAC-0158 Red |
| 295KLG-0400 | 295SAJ-0200, 295SACJ-0200 Black |

All lever guard kits include new lever sub-assembly.
295 Series Instruction Sheet Order Number: **H09237PA**

Overwing Aircraft Nozzles

295SA – AVGAS

295SAJ – Jet Fuel



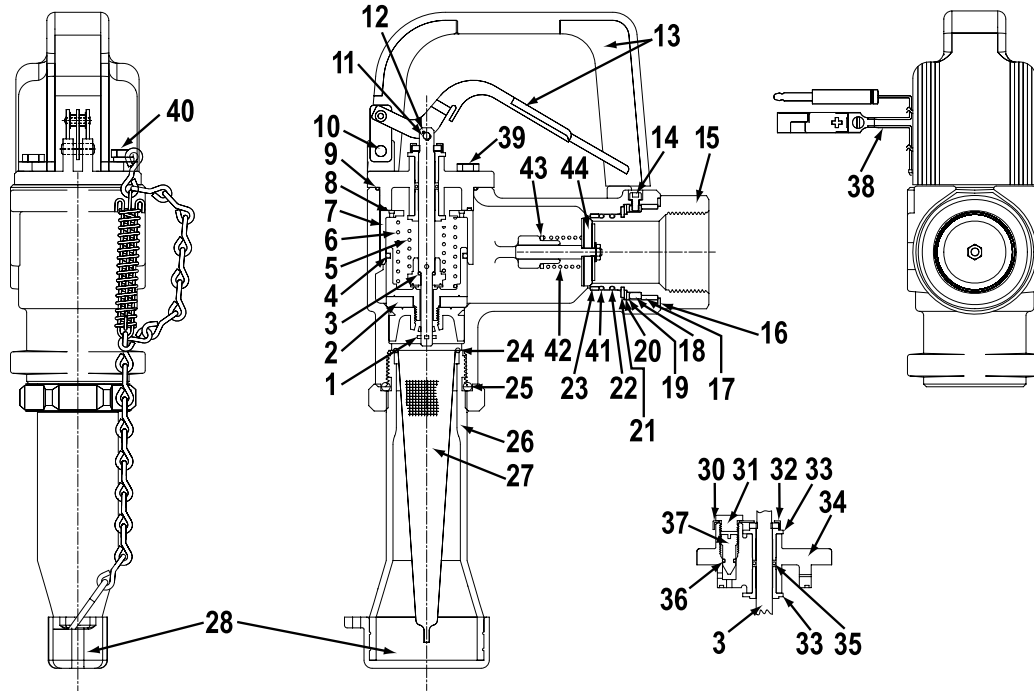
Ordering Specifications

| Product # | Inlet Thread | | Spout O.D | | | |
|---------------|--------------|----|-----------|------|-------|----|
| | in. | mm | lbs. | kg | in. | mm |
| 295SA-0135 | 1 | 25 | 4.60 | 2.10 | 1 | 25 |
| 295SA-0136 | 1/4 | 32 | 4.50 | 2.00 | 1 | 25 |
| 295SA-0137 | 1/2 | 38 | 4.50 | 2.00 | 1 | 25 |
| 295SA-0138 | 1/2 | 38 | 5.10 | 2.30 | 1 5/8 | 41 |
| 295SAJ-0200 | 1/2 | 38 | 5.60 | 2.50 | 2 2/3 | 54 |
| 295SAC-0156* | 1/4 | 32 | 4.50 | 2.00 | 1 | 25 |
| 295SAC-0157* | 1/2 | 38 | 4.50 | 2.00 | 1 | 25 |
| 295SAC-0158* | 1/2 | 38 | 5.15 | 2.30 | 1 5/8 | 41 |
| 295SACJ-0200* | 1/2 | 38 | 5.65 | 2.60 | 2 2/3 | 54 |

*Check Valve

NOTE: See OPW's Website at www.opwglobal.com for product instruction sheets, trouble-shooting guides, how-to-use guide and to view the Do's & Don'ts at the Gas Pump video.

Replacement Parts - OPW 295SA/295SAC & 295SAJ



| Key | Part # | Description | 295SA-0135 inlet/ spout 1" x 1" | 295SA-0136 & 295SAC-0156 inlet/ spout 1 1/4" x 1" | 295SA-0137 & 295SAC-0157 inlet/ spout 1 1/2" x 1" | 295SA-0138 & 295SAC-0158 inlet/ spout 1 1/2" x 1 1/2" | 295SAJ-0200 & 295SACJ-0200 inlet/ spout 1 1/2" x 1 1/2" |
|-----|-------------|---------------------|------------------------------------|---|---|---|---|
| 1 | H02477M | Cotter Pin | • | • | • | • | • |
| 2 | H07719 | Main Poppet S/A | • | • | • | • | • |
| 3 | H09420 | Stem & Sec. Poppet | | | | • | • |
| 3 | H09417 | Stem & Sec. Poppet | • | • | • | | |
| 4 | H12706M | O-Ring | • | • | • | • | • |
| 5 | H09367M | Spring | • | • | • | • | • |
| 6 | H05064M | Spring | • | • | • | • | • |
| 7 | H05088M | Skirt | • | • | • | • | • |
| 8 | H05198M | Seal | • | • | • | • | • |
| 9 | H04828M | Seal | • | • | • | • | • |
| 10 | H03981RE | Pin | • | • | • | • | • |
| 11 | H05000M | Cotter Pin | • | • | • | • | • |
| 12 | H07580M | Rivet | • | • | • | • | • |
| 13 | 295KLG-0300 | Lever Guard Kit* | • | • | • | | |
| 13 | 295KLG-0350 | Lever Guard Kit* | | | | • | |
| 13 | 295KLG-0400 | Lever Guard Kit* | | | | | • |
| 14 | H13774M | Screw (3 req'd)* | • | • | • | • | • |
| 15 | 295SWK-0007 | Swivel Repair Kit** | • | | | | |
| 15 | 295SWK-0009 | Swivel Repair Kit** | | • | | | |
| 15 | 295SWK-0014 | Swivel Repair Kit** | | | | • | • |
| 15 | 295SWK-0013 | Swivel Repair Kit** | | | • | | |
| 16 | H08886M | Dust Seal | | | | • | • |
| 16 | H01227M | Dust Seal | • | • | • | | |
| 17 | H08887M | Bearing | | | | • | • |
| 17 | H08879M | Bearing | • | • | • | | |
| 18 | H09713RS | Retainer | | | | • | • |
| 18 | H09712RS | Retainer | • | • | • | | |

* Replacement part for nozzles built after 08/1998. Part is unavailable for nozzles built before this date.

** Includes 295SRK-0001 or 295SRK-0002 and contact ring.

Replacement Parts-OPW 295SA/SAC & SAJ Aircraft Nozzles

| Key | Part # | Description | 295SA-0135 inlet/ spout 1" x 1" | 295SA-0136 & 295SAC- 0156 inlet/spout 1 1/4" x 1" | 295SA-0137 & 295SAC- 0157 inlet/spout 1 1/2" x 1" | 295SA-0138 & 295SAC- 0158 inlet/spout 1 1/2" x 1 1/2" | 295SAJ-0200 & 295SACJ-0200 inlet/ spout 1 1/2" x 1 1/2" |
|-----|------------|------------------|------------------------------------|---|---|---|---|
| 19 | H08881M | Thrust Bearing | • | • | • | | |
| 19 | H08889M | Thrust Bearing | | | | • | • |
| 20 | H08882M | Lock Ring | • | • | • | | |
| 20 | H08890M | Lock Ring | | | | • | • |
| 21 | H09365M | Retaining Ring | • | • | • | | |
| 21 | H09366M | Retaining Ring | | | | • | • |
| 22 | H12319M | O-Ring, Buna-N | • | • | • | | |
| 22 | H12320M | O-Ring, Buna-N | | | | • | • |
| 23 | H08884M | Bearing | • | • | • | | |
| 23 | H08892M | Bearing | | | | • | • |
| 24 | H06026M | O-Ring | • | • | • | | |
| 24 | H07670M | O-Ring | | | | • | |
| 24 | H11499M | O-Ring | | | | | • |
| 25 | H05297M | O-Ring | • | • | • | | |
| 25 | H07766M | O-Ring | | | | • | |
| 25 | H10458M | O-Ring | | | | | • |
| 26 | 297SA-9050 | Spout S/A | • | • | • | | |
| 26 | 297SA-9060 | Spout S/A | | | | • | |
| 26 | 696J-7010 | Spout S/A | | | | | • |
| 27 | 1905-7063 | Strainer | • | • | • | | |
| 27 | 153-0910 | Strainer | | | | • | |
| 27 | 153J-0100 | Strainer | | | | | • |
| 28 | H10387 | Cap & Chain S/A | • | • | • | | |
| 28 | H10388 | Cap & Chain S/A | | | | • | |
| 28 | 296CJ-0100 | Cap & Chain S/A | | | | | • |
| 29 | H09212 | Body Cap S/A** | • | • | • | | |
| 29 | H09213 | Body Cap S/A** | | | | • | • |
| 30 | H05135M | Retainer | • | • | • | • | • |
| 31 | H08441RS | Screw | • | • | • | • | • |
| 32 | H05087M | Felt Wiper | • | • | • | • | • |
| 33 | H05063M | Bushing | • | • | • | • | • |
| 34 | C02115A | Cap | • | • | • | | |
| 34 | C02117A | Cap | | | | • | • |
| 35 | H12707M | O-Ring | • | • | • | • | • |
| 36 | H12705M | O-Ring | • | • | • | • | • |
| 37 | H04825M | Adj. Screw | • | • | • | • | • |
| 38 | 190WM-8001 | Ground Wire S/A | • | • | • | • | • |
| 39 | H07062M | Screw (4 req'd) | • | • | • | • | • |
| 40 | H06045M | Screws (2 req'd) | • | • | • | • | • |
| 41 | H13776M | O-Ring, Viton® | | | | • | • |
| 41 | H13775M | O-Ring, Viton® | • | • | • | | |

** Body Cap sub-assembly includes parts 30-37.

Replacement Parts - OPW 295SAC & 295SACJ Only

| Key | Part # | Description | 295SAC-0156 | 295SAC-0157 | 295SAC-0158 | 295SACJ-0200 |
|-----|---------|---------------|-------------|-------------|-------------|--------------|
| 42 | H07595M | Spring SST | • | • | | |
| 42 | H07593M | Spring SST | | | • | • |
| 43 | H07613M | Washer, nylon | • | • | • | • |
| 44 | H09214 | Poppet S/A | • | • | | |
| 44 | H09215 | Poppet S/A | | | • | • |