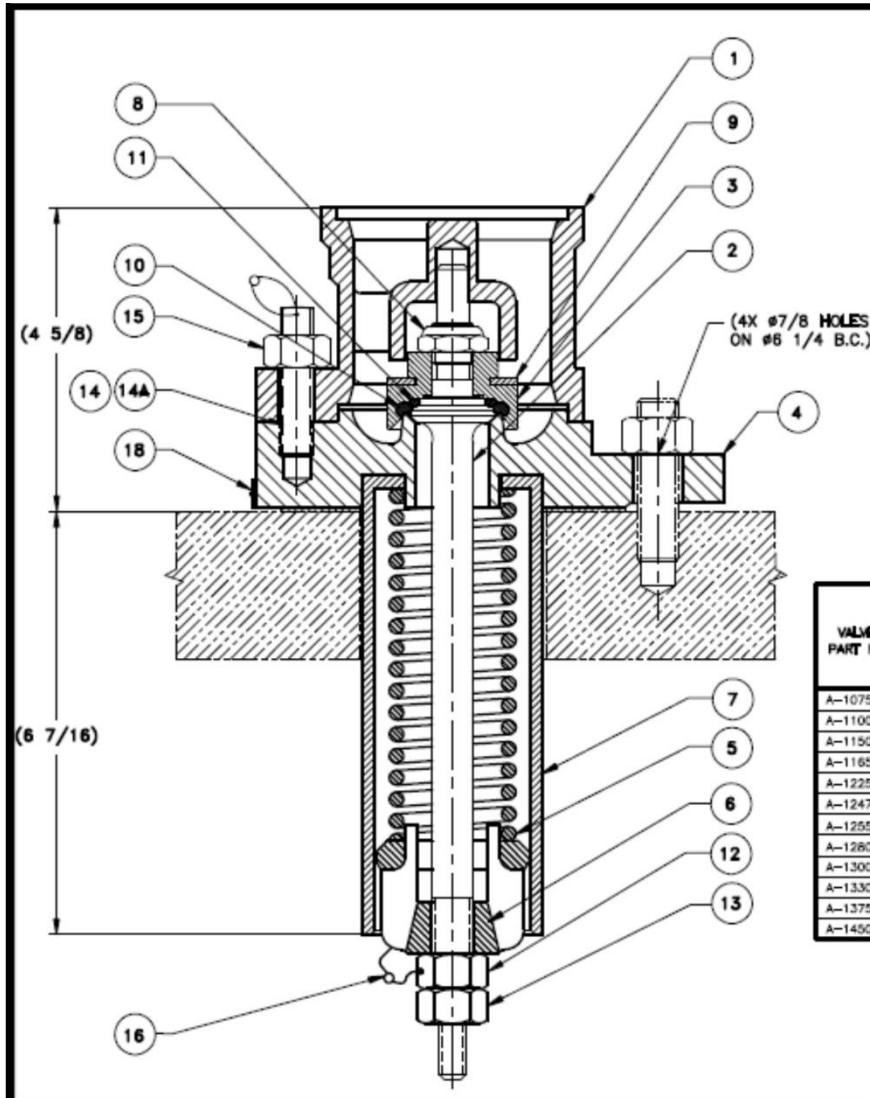


A-1000-F , Flat Mount Series



ITEM	QTY	PART NAME	A-1075-F THRU A-1450-F STAINLESS TRIM		A-1079-F THRU A-1379-F STAINLESS STEEL	
			MATERIAL	PART NO.	MATERIAL	PART NO.
1	1	TOP GUIDE	STEEL W/SS INSERT	10-1-XS	STAINLESS STEEL	10-1-SS
2	1	STEM	STAINLESS STEEL	10-2-SS	STAINLESS STEEL	10-2-SS
3	1	RETAINER	STEEL PLATED (3)	10-3-CS	STAINLESS STEEL	10-3-SS
4	1	BODY	STEEL	10-4-FP-CS	STAINLESS STEEL	10-4-FP-SS
5	1	SPRING	ALLOY STEEL PLATED(3)	SEE TABLE	STAINLESS STEEL	SEE TABLE
6	1	FOLLOWER	STEEL PLATED (3)	10-6-CS	STAINLESS STEEL	10-6-SS
7	1	SPRING GUIDE	STEEL PLATED (3)	10-7-CS	STAINLESS STEEL	10-7-SS
8	1	TOP LOCK NUT	STEEL PLATED (3)	10-8-CS	STAINLESS STEEL	10-8-SS
9	1	WASHER	NEOPRENE	10-9-NE	NEOPRENE	10-9-NE
10	1	SEAT "O" RING	BUNA-N (1)	10-10-BN	BUNA-N (1)	10-10-BN
11	1	STEM "O" RING	BUNA-N (1)	10-11-BN	BUNA-N (1)	10-11-BN
12	1	ADJUSTMENT NUT	STEEL PLATED (3)	10-12-CS	STAINLESS STEEL	10-12-SS
13	1	LOCK NUT	STEEL PLATED (3)	10-13-CS	STAINLESS STEEL	10-13-SS
14	2	STUD	ALLOY STEEL PLATED(3)	10-14-AS	STAINLESS STEEL	10-14-SS
14A	2	STUD W/ HOLE	ALLOY STEEL PLATED(3)	10-14I-AS	STAINLESS STEEL	10-14I-SS
15	4	NUT	STEEL PLATED (3)	10-15-CS	STAINLESS STEEL	10-15-SS
16	2	WIRE SEAL	STAINLESS STEEL/LEAD	22-72-PB	STAINLESS STEEL	22-72-PB
17						
18	1	NAMEPLATE	STAINLESS STEEL	SEE TABLE	STAINLESS STEEL	SEE TABLE

NOTES:

1. ALTERNATE MATERIAL AVAILABLE.
2. FOR VALVE WITH STACK SEE A-1000-S SERIES.
3. STANDARD PLATING IS ZINC.
4. AAR APPROVAL #PRD092020.

VALVE PART NO.	A-1075-F THRU A-1450-F STAINLESS TRIM			
	PRESSURE SETTING (PSIG)	FLOW RATE (SCFM-@90)	SPRING PART NO.	NAMEPLATE PART NO.
A-1075-F	75	1109	10-75-AS	10-0751-SS
A-1100-F	100	1374	10-100-AS	12-100-SS
A-1150-F	150	2004	10-150-AS	12-150-SS
A-1165-F	165	2329	10-150-AS	12-165-SS
A-1225-F	225	2884	10-225-AS	12-225-SS
A-1247-F	247.5	3070	10-225-AS	12-247-SS
A-1255-F	255	3477	10-225-AS	12-225-SS
A-1280-F	280.5	3576	10-300-AS	12-280-SS
A-1300-F	300	3516	10-300-AS	12-300-SS
A-1330-F	330	4322	10-300-AS	12-330-SS
A-1375-F	375	4220	10-375-AS	12-375-SS
A-1450-F	450	4705	10-450-AS	12-450-SS

VALVE PART NO.	A-1079-F THRU A-1379-F STAINLESS STEEL			
	PRESSURE SETTING (PSIG)	FLOW RATE (SCFM-@90)	SPRING PART NO.	NAMEPLATE PART NO.
A-1079-F	75	1113	10-79-SS	10-0791-SS
A-1104-F	100	1371	10-104-SS	12-104-SS
A-1154-F	150	1940	10-154-SS	12-154-SS
A-1169-F	165	2611	10-165-SS	12-169-F-SS
A-1229-F	225	2670	10-229-SS	12-229-MO
A-1251-F	247.5	3245	10-229-SS	12-251-SS
A-1259-F	255	3344	10-229-SS	12-225-SS
A-1284-F	280.5	3697	10-304-SS	12-284-SS
A-1304-F	300	3695	10-304-SS	12-304-SS
A-1334-F	330	4262	10-304-SS	12-334-SS
A-1379-F	375	4615	10-379-SS	12-379-SS