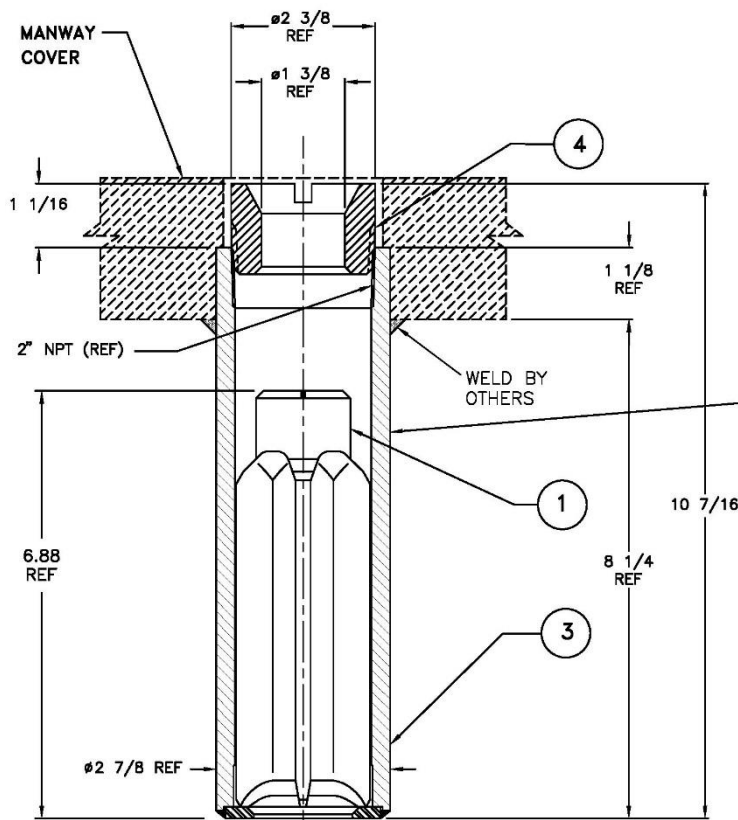


## Model A-144, A-146 & A-146-MO

Check Valve

July 31, 2015



Item	QTY	Part Name	A-144		A-146		A-146-MO	
			Material	Part No.	Material	Part No.	Material	Part No.
1	1	FLOAT	MALL. IRON	144-1-MI	STAINLESS STEEL	146-1-SS	CF8M STAINLESS STEEL	146-1-MO
3	1	BODY ASSEMBLY	STEEL	144-30-CS	STAINLESS STEEL	146-30-SS	316 STAINLESS STEEL	146-30-MO
4	1	PLUG (1)	STEEL	134-5-CS	STAINLESS STEEL (2)	136-5-SS	316 STAINLESS STEEL (2)	136-5-MO

**NOTES:**

1. USE WRENCH T-312-CS TO INSTALL OR REMOVE PLUG
2. FOR NITRONIC 60 PLUG, ADD SUFFIX -N60 TO A-146 (i.e. A-146-N-60)
3. FLOAT WEIGHT 3 ¼ POUNDS
4. FOR A-146-MO, ADD SUFFIX -MO TO A-146 PART MAKING
5. AAR APPROVAL # E122004

