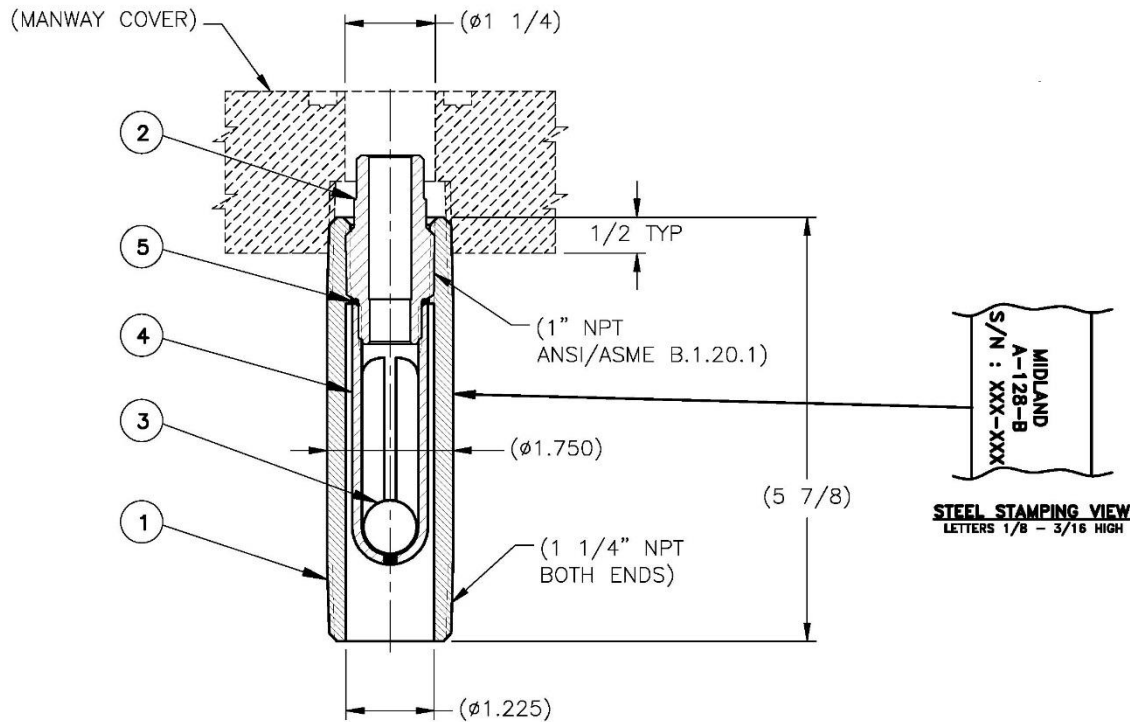


Model A-128-B

Check Valve

July 31, 2015



Item	QTY	Part Name	Material	Part No.
1	1	BODY	MONEL	128-3-B-ML
2	1	SEAT	MONEL	128-4-B-ML
3	1	BALL	MONEL	129-1-ML
4	1	BASKET	MONEL	128-2-ML
5	1	"O" RING	STAINLESS	128-5-SS

NOTES:

- VALVE TO BE CLEANED AND PACKAGED FOR OXYGEN SERVICE TO COMPLY WITH PRAXAIR STANDARD GS-38
- WHEN ASSEMBLING VALVE, USE LINT FREE LATEX GLOVES FOR HANDLING PARTS
- USE FLUOROLUBE ONLY FOR LUBRICATION
- PLACE VALVE IN PLASTIC BAG WITH DESICCANT WHEN SHIPPING
- AAR APPROVAL # E102006

