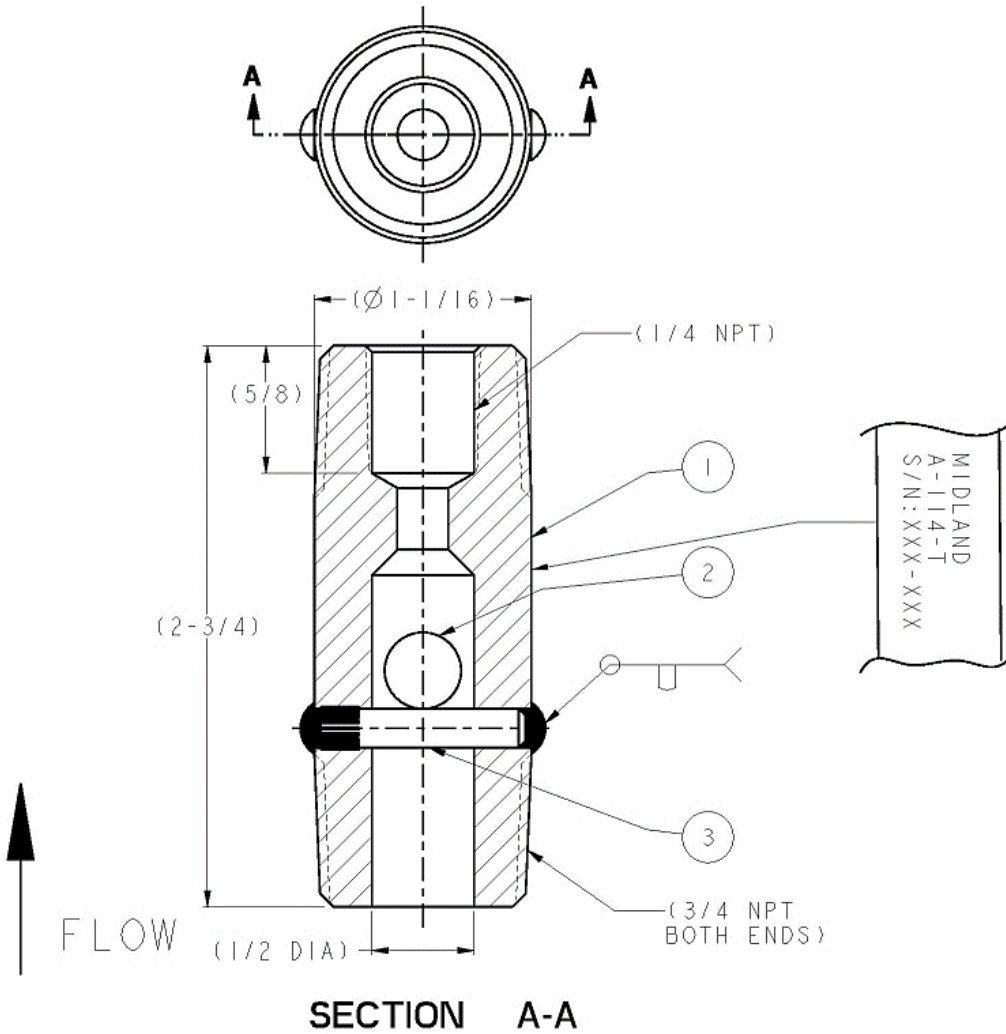


Model A-114-T

Check Valve

July 31, 2015



Item	QTY	Part Name	Material	Part No.
1	1	BODY	STAINLESS STEEL	114-11-SS
2	1	BALL	STAINLESS STEEL	111-1-SS
3	1	PIN	STAINLESS STEEL	114-3-SS

NOTES:

- AAR APPROVAL NO. E112002

