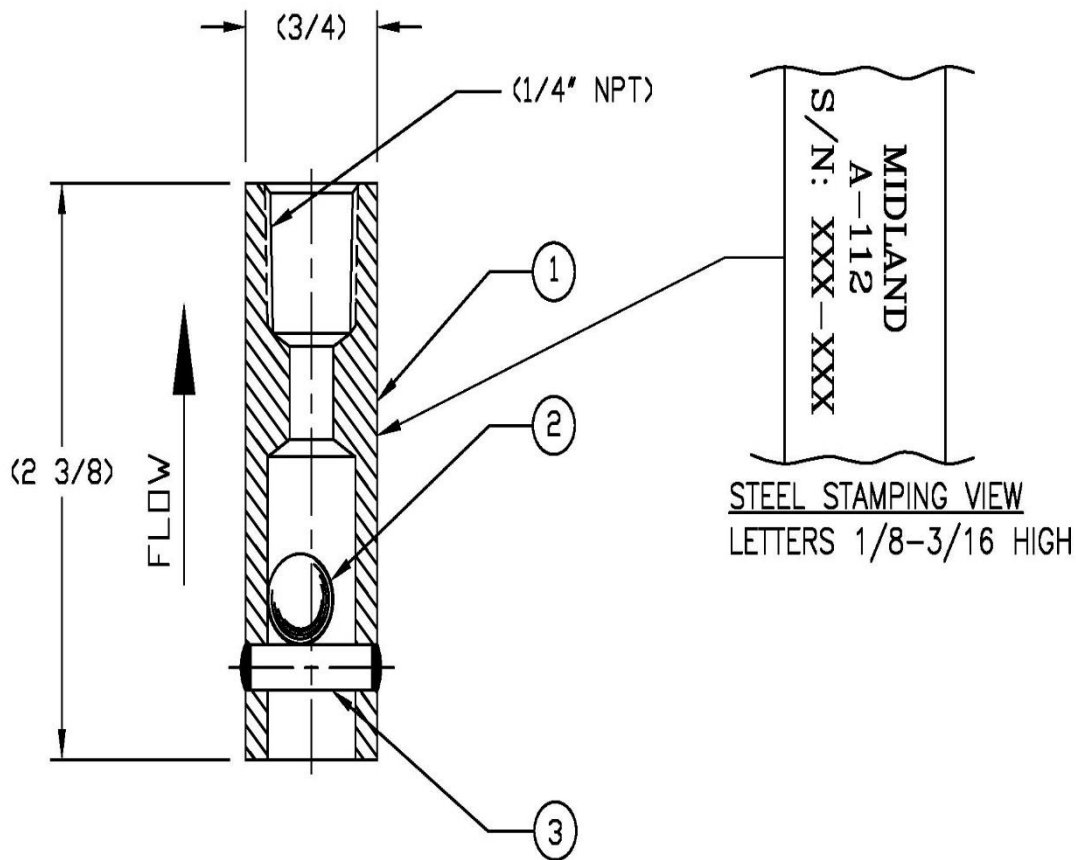


Model A-112

Check Valve

July 21, 2015



Item	QTY	Part Name	Material	Part No.
1	1	BODY	STAINLESS	112-1-SS
2	1	BALL	STAINLESS	111-1-SS
3	1	PIN	STAINLESS	112-2-SS

NOTES:

- AAR APPROVAL NO. E112002

