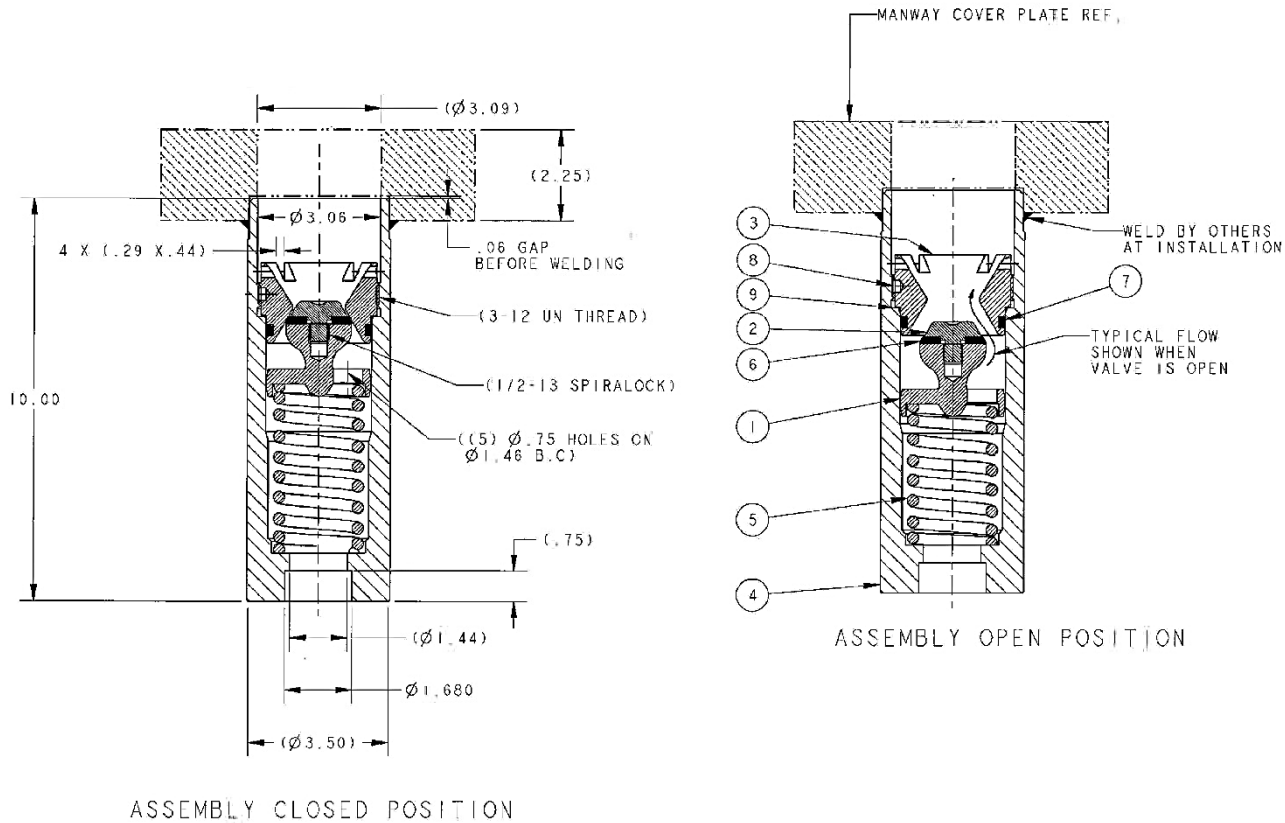


# Model A-180-ML-HO1

## Check Valve

August 10, 2015



Item	QTY	Part Name	Material	Part No.
1	1	GUIDE	HASTELLOY C	180-1-HC
2	1	RETAINER	HASTELLOY C	180-2-HC
3	1	SEAT	HASTELLOY C	180-3-HC
4	1	BODY, MACHINED	MONEL	180-4-ML
5	1	SPRING	INCONEL X 750	180-5-IN
6	1	SEAT SEAL	VIRGIN TEFLON	180-6-VTF
7	1	O-RING (-331)	KALREZ 6375	180-7-KZ-6375
8	2	INSERT	VIRGIN TEFLON	180-8-TF
9	1	GASKET	VIRGIN TEFLON	180-9-TF

### NOTES:

- USE ASSEMBLY TOOL TO T-A-80 TO INSTALL/REMOVE GUIDE
- AFTER ASSEMBLY SEALS TO BE TESTED @ 500 PSI FOR 2 MIN
- CAUTION : SPRING LOADED ASSEMBLY
- AAR APPROVAL NO. E082001