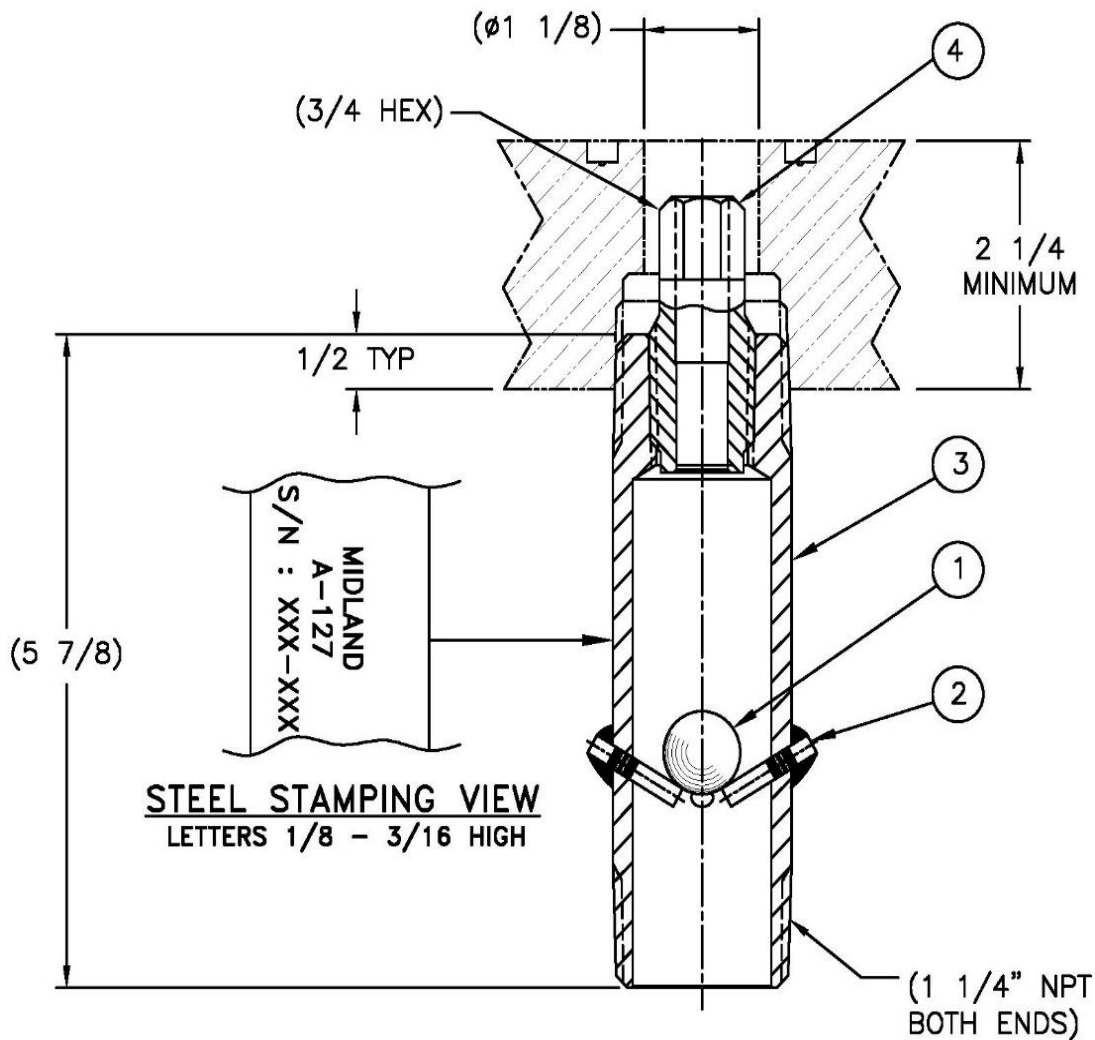


Model A-127

Check Valve

July 20, 2015



Item	QTY	Part Name	Material	Part No.
1	1	BALL	TUNGSTEN CARBIDE	127-1-TC
2	-	-	-	-
3	1	BODY ASSEMBLY	MONEL	127-3-ML
4	1	SEAT	MONEL K500	129-4-ML

NOTES:

- HYDROSTATIC TEST AT 500 PSI FOR 2 MINUTES. NO LEAKAGE ALLOWED.
- AAR APPROVAL NO. E092014
- CHLORINE INSTITUTE FLOW RATES AT 15,000 LBS/HR OF LIQUID CHLORINE. CONFORMS TO CHLORINE INST. DRG. 114, ISSUE 2

