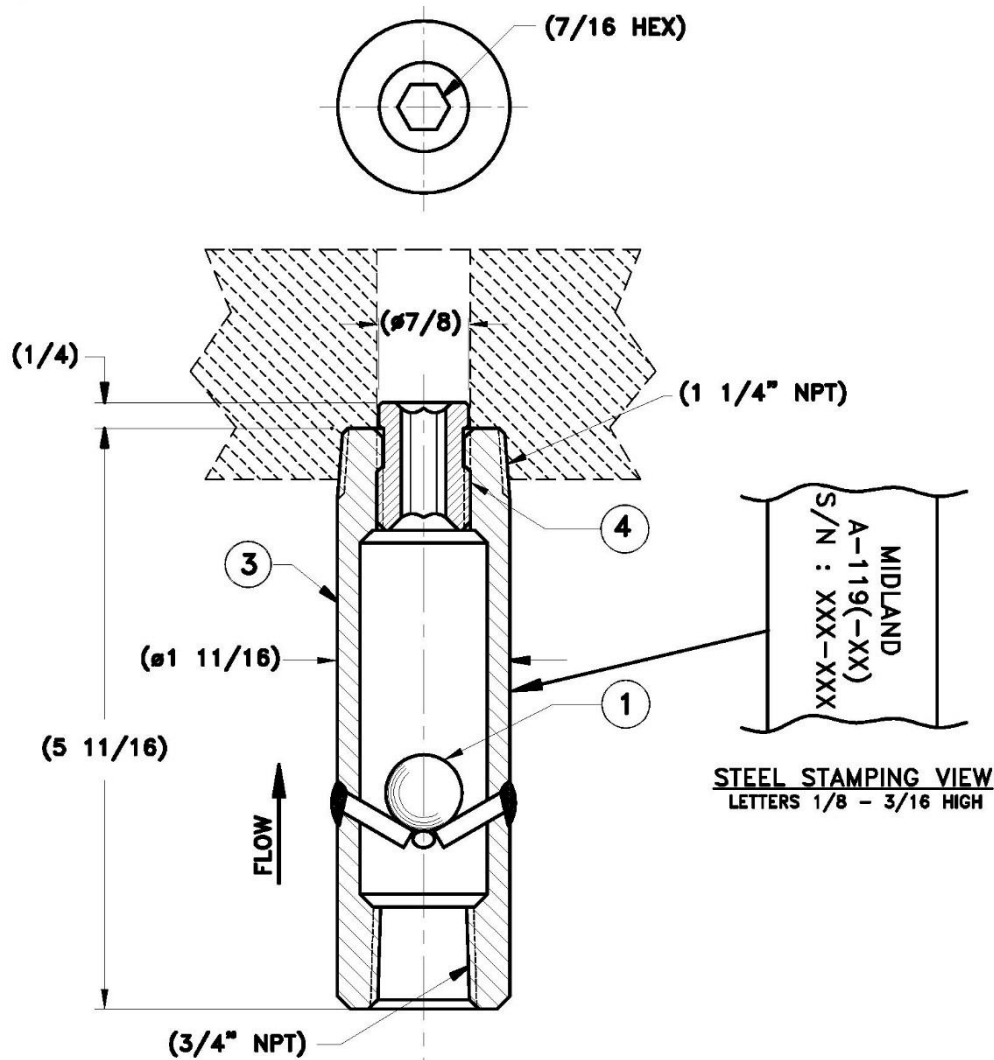


## Model A-119 & A-119-MO

Check Valve

July 15, 2015



Item	QTY	Part Name	A-119		A-119-MO	
			Material	Part No.	Material	Part No.
1	1	BALL	STAINLESS	119-1-SS	316 STAINLESS	119-1-MO
2	-	-	-	-	-	-
3	1	BODY ASSEMBLY	STAINLESS	119-3-SS	316 STAINLESS	119-3-MO
4	1	PLUG	STAINLESS	119-4-SS	316 STAINLESS	119-4-MO

NOTES:

- MAXIMUM FLOW RATE IS 18 GALLON OF WATER PER MINUTE
- AAR APPROVAL NO. E092017

