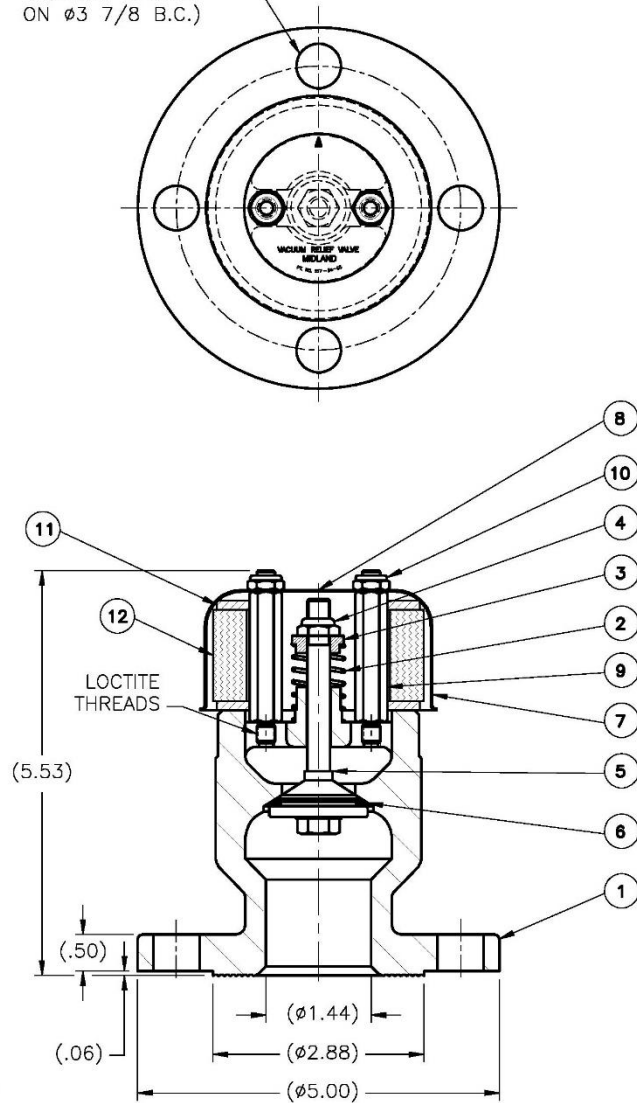


(4X $\phi 5/8$ HOLES
EQUALLY SPACED
ON $\phi 3 7/8$ B.C.)



Model A-222-W-NS-FR20

Vacuum Relief Valve

August 18, 2015

Item	QTY	Part Name	Material	Part No.
1	1	BODY	STAINLESS	222-105-MO
2	1	SPRING	STAINLESS	SEE TABLE
3	1	SPRING SEAT	STAINLESS	217-3-SS
4	1	LOCK NUT	STAINLESS	217-41-SS
5	1	STEM	STAINLESS	217-50-MO
6	1	PRESSURE SEAL	BUNA-N (1)	215-6-BN
7	1	WEATHER CAP	STAINLESS	215-70-SS
8	1	NAMEPLATE	STAINLESS	217-84-SS
9	2	POST	STAINLESS	217-90-SS
10	2	LOCKNUT	STAINLESS	720-181-SS
11	2	GASKET	NEOPRENE	220-11-NE
12	1	FILTER	STAINLESS	211-101-SS

Model #	VACUUM SETTING (PSI)	SPRING PART #
A-222-W-NS-FR20	0.75	215-2-MO
A-222-W-NS-FR20-1.5	1.5	215-2-MO
A-222-W-NS-FR20-3	3	215-27-MO
A-222-W-NS-FR20-4	4	215-23-MO
A-222-W-NS-FR20-5	5	215-24-MO

NOTES:

- ALTERNATE MATERIAL AVAILABLE
- NET FLOW AREA 0.71 SQ. IN.