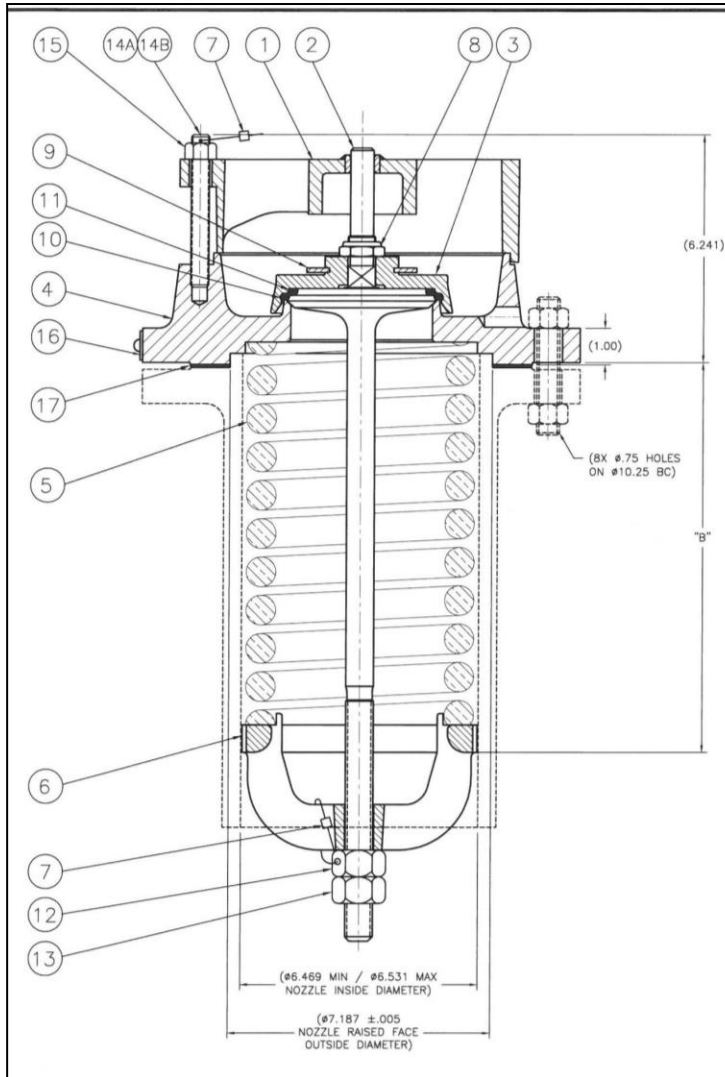


# A-2100 SERIES



ITEM	QTY	PART NAME	A-2100, A-2150, A-2165		A-2154, A-2169	
			MATERIAL	PART NUMBER	MATERIAL	PART NUMBER
1	1	TOP GUIDE	STEEL W/SS INSERT	23-1-XS	STAINLESS STEEL	23-1-SS
2	1	STEM	STAINLESS STEEL	21-2-SS	STAINLESS STEEL	21-2-SS
3	1	RETAINER	STEEL, PLATED	21-31-CS	STAINLESS STEEL	21-31-SS
4	1	BODY	STEEL	27-4-CS	STAINLESS STEEL	27-4-SS
5	1	SPRING	ALLOY STEEL, PLATED (3)	SEE TABLE	STAINLESS STEEL	SEE TABLE
6	1	FOLLOWER	STEEL, PLATED (3)	21-61-CS	STAINLESS STEEL	21-61-SS
7	2	WIRE SEAL	LEAD	22-72-PB	LEAD	22-72-PB
8	1	TOP LOCK NUT	STEEL, PLATED (3)	23-8-CS	STAINLESS STEEL	23-8-SS
9	1	WASHER	NEOPRENE (1)	23-9-NE	NEOPRENE (1)	23-9-NE
10	1	SEAT "O" RING	BUNA-N (1)	27-10-BN	BUNA-N (1)	27-10-BN
11	1	STEM "O" RING	BUNA-N (1)	27-11-BN	BUNA-N (1)	27-11-BN
12	1	ADJUSTMENT NUT	STEEL, PLATED (3)	23-12-CS	STAINLESS STEEL	23-12-SS
13	1	LOCK NUT	STEEL, PLATED (3)	23-13-CS	STAINLESS STEEL	23-13-SS
14A	2	STUD	ALLOY, STEEL	23-14-AS	STAINLESS STEEL	23-14-SS
14B	2	STUD	ALLOY, STEEL	23-141-AS	STAINLESS STEEL	23-141-SS
15	4	NUT	STEEL	10-15-CS	STAINLESS STEEL	10-15-SS
16	1	NAMEPLATE	SEE TABLE	SEE TABLE	SEE TABLE	SEE TABLE
17	1	GASKET	COMP. ASB. (2)	27-17-AB	COMP. ASB. (2)	27-17-AB

NOTES:

- (1) ALTERNATE MATERIALS AVAILABLE.
- (2) NOT FURNISHED UNLESS REQUESTED.
- (3) STANDARD PLATING IS ZINC. PLATING MAY BE CHANGED OR ELIMINATED PER CUSTOMER'S SPECIFICATIONS.

VALVE PART NO.	PRESSURE SETTING (PSIG)	FLOW RATE (SCFM-AIR)	SPRING NUMBER	NAMEPLATE NUMBER	DIM. "B"
A-2100	100	21,812	29-5-AS	26-166-SS	11.00
A-2150	150	31,919	21-165-AS	26-162-SS	11.25
A-2154	150	32,401	21-165-SS	26-163-SS	11.25
A-2165	165	35,608	21-165-AS	26-164-SS	10.88
A-2169	165	35,527	21-165-SS	26-165-SS	10.88

AAR APPROVAL #PRD112003

NET FLOW AREA = 11.38 IN  
WT. = 78 LBS.