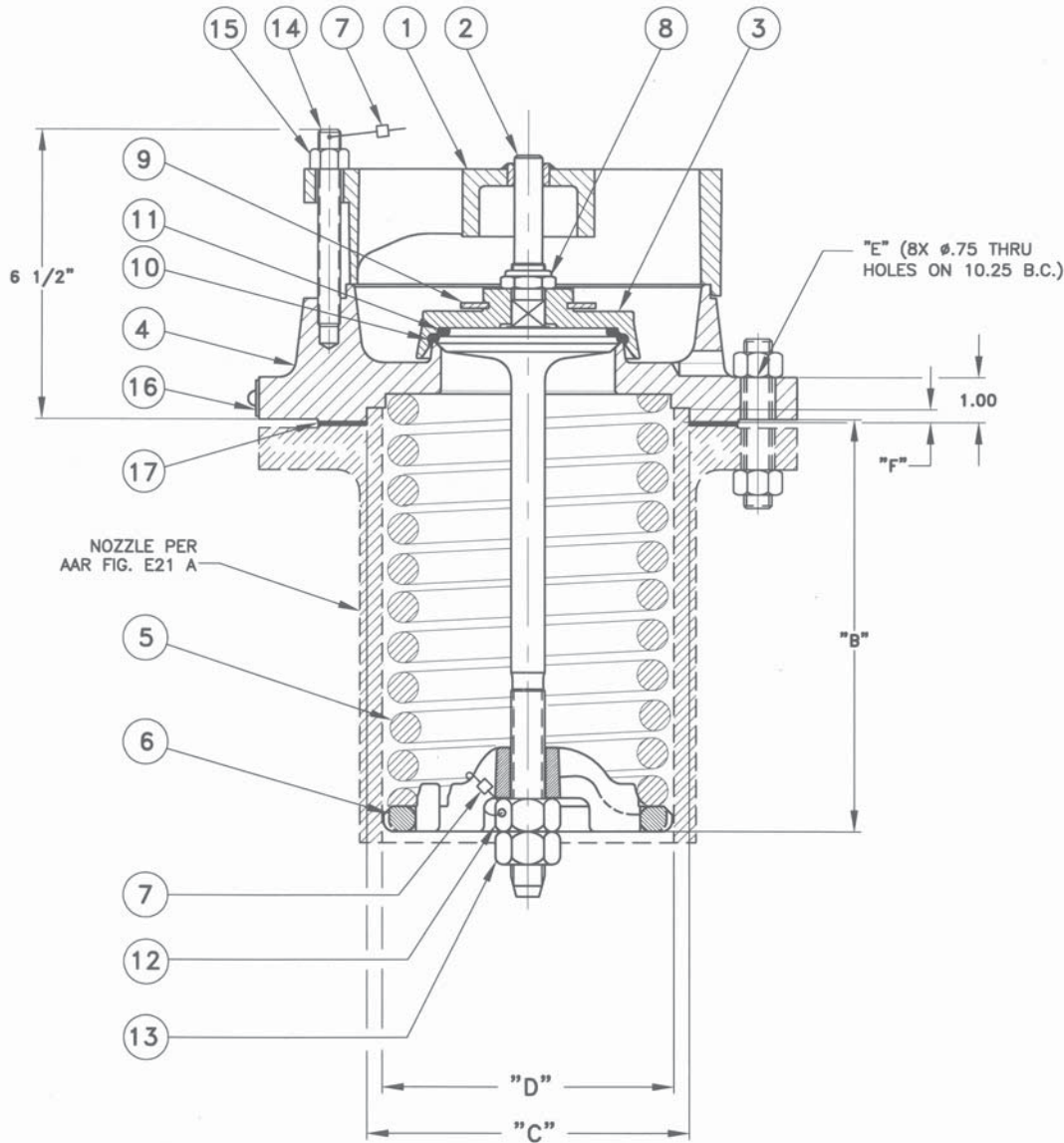


A-2035 thru A-2089 Pressure Relief Valve



ITEM	QTY	PART NAME	CARBON STEEL WITH STAINLESS TRIM		STAINLESS STEEL			
			MATERIAL	PART NUMBER		MATERIAL	PART NUMBER	
				A-2035	A-2085		A-2039	A-2089
1	1	TOP GUIDE	STL W/SS INSERT	23-1-XS	23-1-XS	STAINLESS	23-1-SS	23-1-SS
2	1	STEM	STAINLESS	23-2-SS	27-2-SS	STAINLESS	23-2-SS	27-2-SS
3	1	RETAINER	STEEL PLATED (3)	23-3-CS	27-3-CS	STAINLESS	23-3-MO	27-3-SS
4	1	BODY	STEEL	23-4-CS	27-4-CS	STAINLESS	23-4-SS	27-4-SS
5	1	SPRING	ALLOY STL PLATED (3)	23-5-AS	28-5-AS	STAINLESS	23-5-MO	28-5-MO
6	1	FOLLOWER	STEEL PLATED (3)	27-6-CS	27-6-CS	STAINLESS	27-6-MO	27-6-SS
7	2	SEAL	SS/LEAD	22-72-PB	22-72-PB	SS/LEAD	22-72-PB	22-72-PB
8	1	TOP LOCK NUT	STEEL PLATED (3)	23-8-CS	23-8-CS	STAINLESS	23-8-SS	23-8-SS
9	1	WASHER	NEOPRENE (1)	23-9-NE	23-9-NE	NEOPRENE (1)	23-9-NE	23-9-NE
10	1	SEAT "O" RING	BUNA-N (1)	23-10-BN	27-10-BN	BUNA-N (1)	23-10-BN	27-10-BN
11	1	STEM "O" RING	BUNA-A (1)	23-11-BN	27-11-BN	BUNA-A (1)	23-11-BN	27-11-BN
12	1	ADJUSTMENT NUT	STEEL PLATED (3)	23-12-CS	23-12-CS	STAINLESS	23-12-SS	23-12-SS
13	1	LOCK NUT	STEEL PLATED (3)	23-13-CS	23-13-CS	STAINLESS	23-13-SS	23-13-SS
14A	2	STUD	ALLOY STEEL	23-14-AS	23-14-AS	STAINLESS	23-14-SS	23-14-SS
14B	2	STUD WITH HOLE	ALLOY STEEL	23-141-AS	23-141-AS	STAINLESS	23-141-SS	23-141-SS
15	4	NUT	STEEL	10-15-CS	10-15-CS	STAINLESS	10-15-SS	10-15-SS
16	1	NAMEPLATE	STAINLESS	23-16-SS	26-16-SS	STAINLESS	24-16-SS	20-89-SS
17	1	GASKET (2)	DURABLA BLACK (1)	27-17-AB	27-17-AB	DURABLA BLACK (1)	27-17-AB	27-17-AB

NOTES:

1. ALTERNATE MATERIALS AVAILABLE.
2. NOT FURNISHED UNLESS REQUESTED.
3. STANDARD PLATING IS ZINC. PLATING MAY BE CHANGED OR ELIMINATED PER CUSTOMER'S SPECIFICATIONS.

VALVE PART NO.	PRESSURE SETTING (PSIG)	FLOW RATE (SCFM-AIR)	DIA OF PORT (INCHES)	"B" APPROX. (INCHES)	WEIGHT OF VALVE (LBS)	NET FLOW AREA SQ. IN.
A-2035	35	12,944	4 3/4"	6 5/8"	62	17.28
A-2039	35	12,911	4 3/4"	6 3/4"	62	17.28
A-2085	75	17,830	3 7/8"	9 1/4"	76	11.38
A-2089	75	18,062	3 7/8"	9 1/8"	76	11.38

NOZZLE MOUNTING DIMENSIONS PER AAR FIG. E21 A

"C" = 7.187±.005" DIA
 "D" = 6 15/32" DIA. MIN., 6 17/32" DIA. MAX.
 WITH OUT-OF-ROUNDNESS NOT TO EXCEED THESE DIAMETERS.
 "E" = (8)-3/4" DIA HOLES ON 10 1/4" DIA BOLT CIRCLE.
 "F" = 1/4"

VALVE MOUNTING DIMENSIONS

"C" = 7.200/7.194" DIA
 "D" = 6.370±.005" DIA
 "E" = (8)-3/4" DIA HOLES ON 10 1/4" DIA BOLT CIRCLE.
 "F" = .31±.015"

AAR APPROVAL NO. PRD112003

December 22, 2015