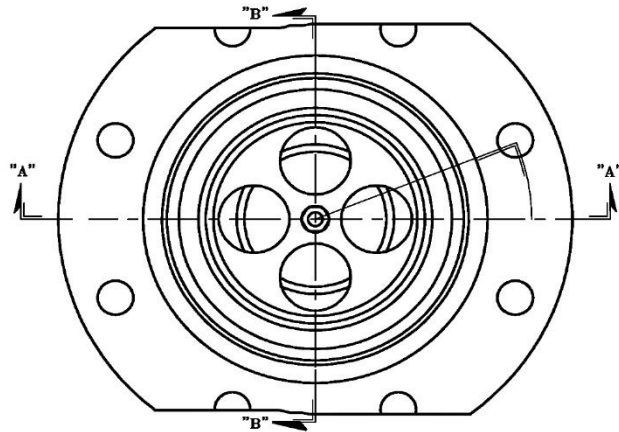


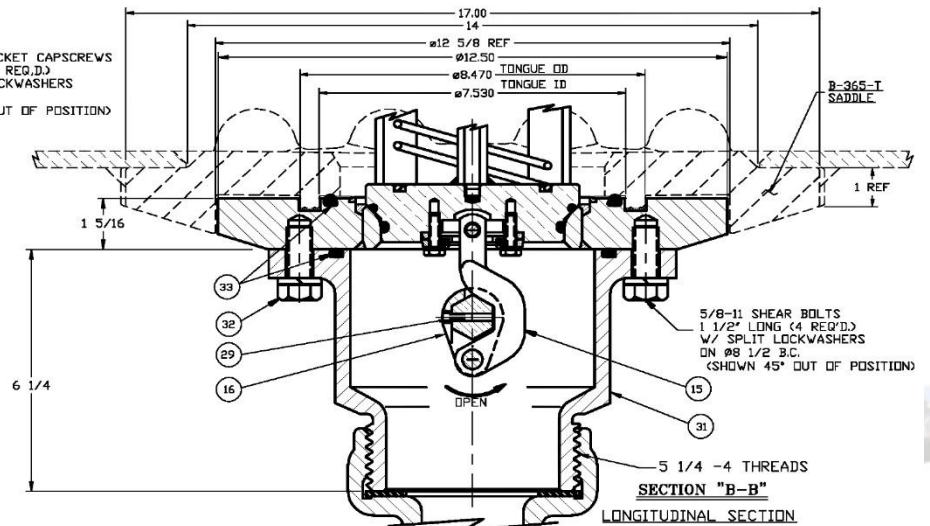
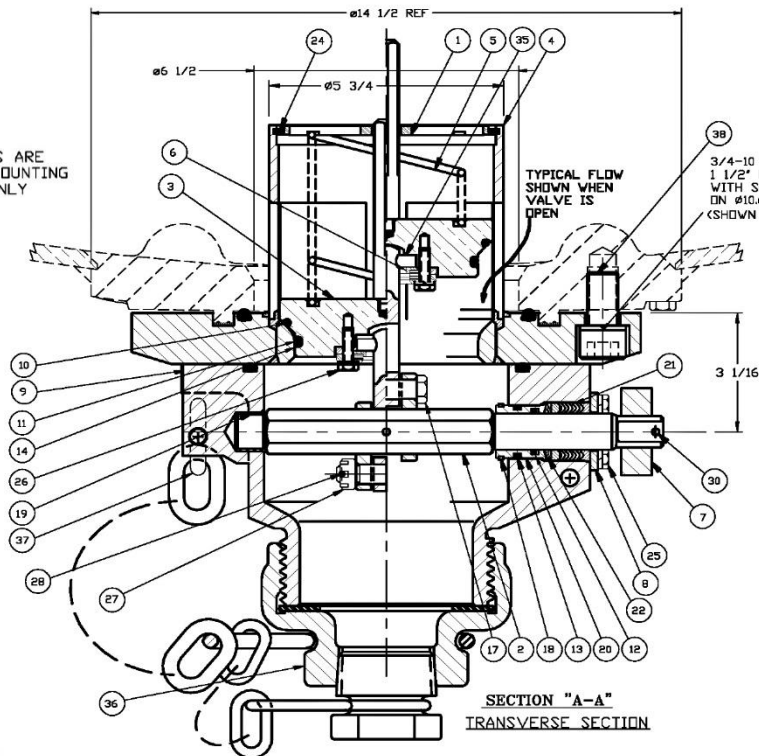
Model A-542

Bottom Outlet Plug Valve

August 7, 2015



DASHED ITEMS ARE SHOWN FOR MOUNTING REFERENCE ONLY



Item	QTY	Part Name	A-542-CS (CS/SS TRIM)		A-542-SS (TYPE 304 SS)		A-542-MO (TYPE 316 SS)	
			Material	Part No.	Material	Part No.	Material	Part No.
1	1	TOP GUIDE	STEEL	549-1-CS	STAINLESS STEEL	549-1-SS	STAINLESS STEEL	549-1-MO
2	1	SHAFT	STAINLESS STEEL	545-2-SS	STAINLESS STEEL	545-2-SS	STAINLESS STEEL	545-2-SS
3	1	GASKET RETAINER ASM	STAINLESS STEEL	549-3-SS	STAINLESS STEEL	549-3-SS	STAINLESS STEEL	549-3-MO
4	1	BODY	STEEL/SS INSERT	542-4-CS	STAINLESS STEEL	542-4-SS	STAINLESS STEEL	542-4-MO
5	1	SPRING	STAINLESS STEEL	545-5-SS	STAINLESS STEEL	545-5-SS	STAINLESS STEEL	545-5-MO
6	1	RETAINER COVER ASM	STAINLESS STEEL	549-61-SS	STAINLESS STEEL	549-61-SS	STAINLESS STEEL	549-61-SS
7	1	HANDLE	STEEL	549-7*-CS	STEEL	549-7*-CS	STEEL	549-7*-CS
8	1	PACKING FLANGE	STEEL, PLT.	549-8-CS	STEEL, PLT.	549-8-CS	STEEL, PLT.	549-8-CS
9	1	NAMEPLATE	STAINLESS STEEL	542-9-SS	STAINLESS STEEL	542-9-SS	STAINLESS STEEL	542-9-SS
10	1	SEAT "O" RING	BUNA N*	545-10-BN	BUNA N*	545-10-BN	BUNA N*	545-10-BN
11	1	BORE "O" RING	BUNA N*	545-11-BN	BUNA N*	545-11-BN	BUNA N*	545-11-BN
12	1	SHAFT "O" RING	BUNA N*	545-12-BN	BUNA N*	545-12-BN	BUNA N*	545-12-BN
13	1	BUSHING "O" RING	BUNA N*	545-13-BN	BUNA N*	545-13-BN	BUNA N*	545-13-BN
14	1	WIPER RING	PTFE	545-14-TF	PTFE	545-14-TF	PTFE	545-14-TF
15	1	CAM LEVER	STAINLESS STEEL	549-15-SS	STAINLESS STEEL	549-15-SS	STAINLESS STEEL	549-15-SS
16	1	CAM	STAINLESS STEEL	545-16-SS	STAINLESS STEEL	545-16-SS	STAINLESS STEEL	545-16-SS
17	1	CAM BOLT	STAINLESS STEEL	545-17-N60	STAINLESS STEEL	545-17-N60	STAINLESS STEEL	545-17-N60
18	1	RETAINER RING	STAINLESS STEEL	545-18-MO	STAINLESS STEEL	545-18-MO	STAINLESS STEEL	545-18-MO
19	1	SHAFT BUSHING	STAINLESS STEEL	545-19-N60	STAINLESS STEEL	545-19-N60	STAINLESS STEEL	545-19-N60
20	1	PACKING BUSHING	STAINLESS STEEL	545-20-N60	STAINLESS STEEL	545-20-N60	STAINLESS STEEL	545-20-N60
21	1	PACKING SET	PTFE	549-21-TF	PTFE	549-21-TF	PTFE	549-21-TF
22	1	PACKING SPRING	STAINLESS STEEL	549-22-SS	STAINLESS STEEL	549-22-SS	STAINLESS STEEL	549-22-SS
23	-	-	-	-	-	-	-	-
24	1	RETAINER RING	STAINLESS STEEL	549-24-SS	STAINLESS STEEL	549-24-SS	STAINLESS STEEL	549-24-MO
25	4	PACKING BOLT	STAINLESS STEEL	545-251-MO	STAINLESS STEEL	545-251-MO	STAINLESS STEEL	545-251-MO
	4	PACKING LKW	STAINLESS STEEL	545-252-MO	STAINLESS STEEL	545-252-MO	STAINLESS STEEL	545-252-MO
26	4	RETAINER BOLT, LKW	STAINLESS STEEL	545-261-MO	STAINLESS STEEL	545-261-MO	STAINLESS STEEL	545-261-MO
	4	RETAINER BOLT, LKW	STAINLESS STEEL	545-252-MO	STAINLESS STEEL	545-252-MO	STAINLESS STEEL	545-252-MO
27	1	CAM STEM NUT	STEEL, PLT.	720-20-CS	STAINLESS STEEL	724-20-SS	STAINLESS STEEL	724-20-MO
28	1	CAM STEM PIN	STAINLESS STEEL	545-28-SS	STAINLESS STEEL	545-28-SS	STAINLESS STEEL	545-28-SS
29	1	CAM PIN	STAINLESS STEEL	545-29-MO	STAINLESS STEEL	545-29-MO	STAINLESS STEEL	545-29-MO
30	1	HANDLE PIN	STAINLESS STEEL	545-30-SS	STAINLESS STEEL	545-30-SS	STAINLESS STEEL	545-30-SS
31	1	BASE	DUCTILE IRON	549-31-DI	STAINLESS STEEL	549-31-MO	STAINLESS STEEL	549-31-MO
32	4	BASE BOLT	STEEL	547-321-CS	STEEL	547-321-CS	STEEL	547-321-CS
	4	BASE LKW	STEEL	547-322-CS	STEEL	547-322-CS	STEEL	547-322-CS
33	2	BASE "O" RING	BUNA N*	547-33-BN	BUNA N*	547-33-BN	BUNA N*	547-33-BN
34	-	-	-	-	-	-	-	-
35	1	PIN	STAINLESS STEEL	549-35-N60	STAINLESS STEEL	549-35-N60	STAINLESS STEEL	549-35-N60
36	1	CAP ASM	MALL/DUCT. IRON	55-DI	STAINLESS STEEL	55-MO	STAINLESS STEEL	55-MO
37	1	EYEBOLT, NUT, LKW	STEEL	549-37-CS	STEEL	549-37-CS	STEEL	549-37-CS
38	8	BODY BOLT	STEEL*, PLT.	375-22-AS	STEEL*, PLT.	375-22-AS	STEEL	375-22-AS
	8	BODY LKW	STEEL, PLT.	363-21-AS	STEEL, PLT.	363-21-AS	STEEL	363-21-AS

NOTES:

1. ROTATE SHAFT AT LEAST 150° CCW TO OPEN VALVE . SECURE HANDLE IN OPEN POSITION WHILE UNLOADING
2. APPROVED FOR PROTECTION LEVEL A OF AAR CIRCULAR D.V. 2007 AND M1002 APPENDIX E, PARAGRAPH 10.1.1
3. *ALTERNATE AVAILABLE
4. AAR APPROVAL #E122015