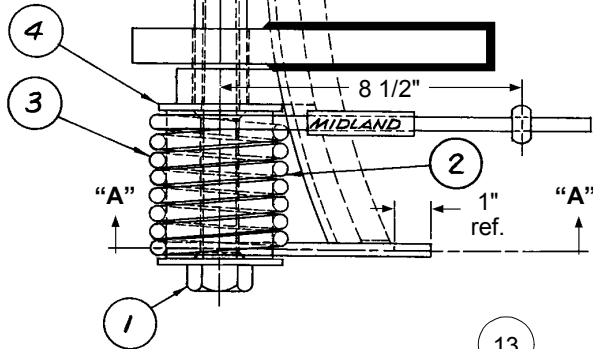
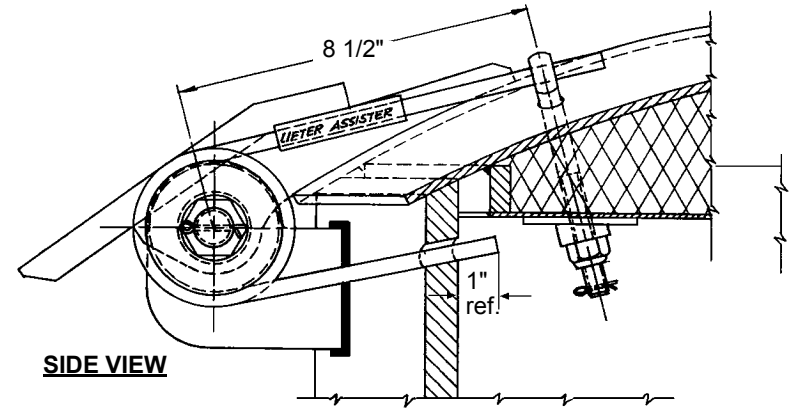


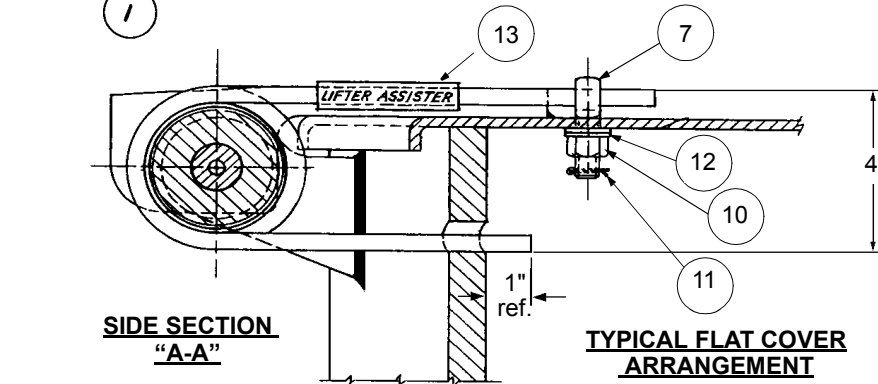
If holes are larger than 1 1/8" dia. see note 2.



**SIDE SECTION
"A-A"**



TYPICAL INSULATED COVER ARRANGEMENT



**TYPICAL FLAT COVER
ARRANGEMENT**

ITEM NO.	PART NAME	B-304-SS		B-305-SS		B-306-SS	
		PART NO.	QTY.	PART NO.	QTY.	PART NO.	QTY.
1	HINGE BOLT ⁽³⁾	304-1-SS	1	304-1-SS	1	304-1-SS	1
2	BUSHING	303-2-SS	2	303-2-SS	2	303-2-SS	2
3	SPRING R.H.	303-31-SS	1	303-31-SS	1	303-3-SS	1
4	WASHER	303-4-SS	4	303-4-SS	4	303-4-SS	4
5	LOCKNUT	303-5-SS	1	303-5-SS	1	303-5-SS	1
6	COTTER PIN	303-6-SS	1	303-6-SS	1	303-6-SS	1
7	EYEBOLT ⁽¹⁾	308-7-SS	2	303-7-SS	2	303-7-SS	2
8	SLEEVE ⁽²⁾	303-8-SS	1	303-8-SS	1	303-8-SS	1
9	SPRING L.H.	303-34-SS	1	303-33-SS	1	303-33-SS	1
10	LOCKNUT	308-11-SS	2	308-11-SS	2	308-11-SS	2
11	COTTER PIN	308-13-SS	2	308-13-SS	2	308-13-SS	2
12	WASHER	308-12-SS	4	308-12-SS	4	308-12-SS	4
13	NAMEPLATE	303-32-PS	2	303-32-PS	2	303-32-PS	2

NOTES:

1. For insulated cover use longer eyebolt part no. 303-71-SS.
2. Optional. Specify length and diameter if sleeve is required.
3. Various lengths available.
4. Use form 304-35 for lifter assister application data.

PART NO.	ASSIST AT HANDLE FOR 36" DIA. COVER
B-304-SS	44 LBS. (APPROX.)
B-305-SS	66 LBS. (APPROX.)
B-306-SS	88 LBS. (APPROX.)