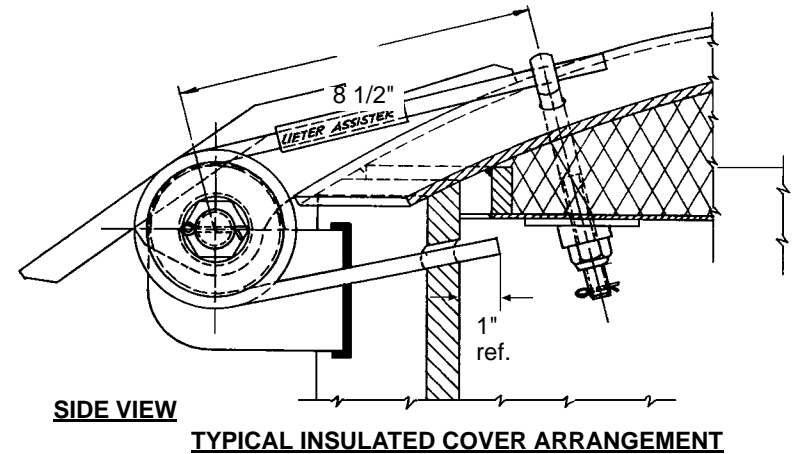


PART NO.	ASSIST AT HANDLE FOR 36" DIA. COVER
B-303-SS	44 LBS. (APPROX.)



ITEM NO.	PART NAME	B-303-SS SERIES		QTY
		B-303-SS-R	B-303-SS-L	
1	HINGE BOLT ^{(3),(5),(6)}	303-1-SS	303-1-SS	1
2	BUSHING	303-2-SS	303-2-SS	1
3	SPRING	303-3-SS	303-33-SS	1
4	WASHER	303-4-SS	303-4-SS	2
5	LOCKNUT	303-5-SS	303-5-SS	1
6	COTTER PIN	303-6-SS	303-6-SS	1
7	EYEBOLT	303-7-SS	303-7-SS	1
8	SLEEVE(2)	303-8-SS	303-8-SS	1
9	LOCKNUT	308-11-SS	308-11-SS	1
10	COTTER PIN	308-13-SS	308-13-SS	1
11	WASHER	308-12-SS	308-12-SS	2
12	NAMEPLATE	303-32-PS	303-32-PS	1

NOTES:

1. For insulated cover use longer eyebolt part no. 303-71-CS.
2. Optional. Specify length and diameter if sleeve is required.
3. Various lengths available.
4. Use form 304-35 for lifter assister application data.

LIFTER ASSISTERS TWO SPRINGS

B-303-SS-R, B-303-SS-L