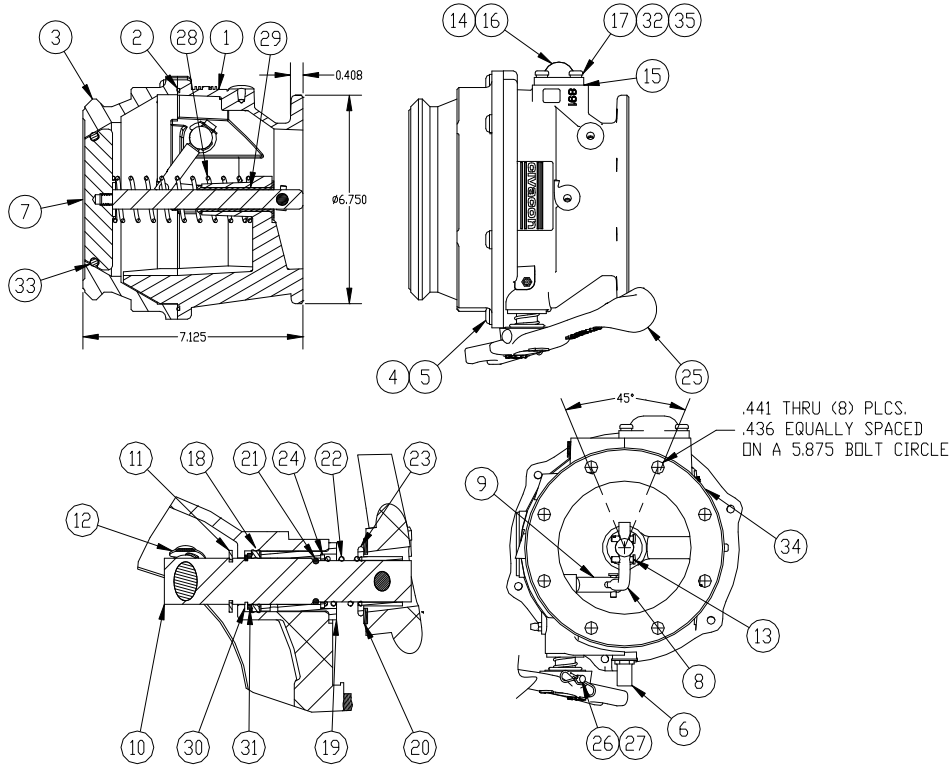




891BA Bottom Loading Adaptor



PARTS BREAK DOWN

ITEM	PART NUMBER	DESCRIPTION	QTY.
1	11548	BODY, MACHINED	1
2	11905 ²	O-RING	1
3	11550	ADAPTOR FACE	1
4	10806M	LOCK WASHER	6
5	11534	SCREW	6
6	H20051M	STOP PIN	1
7	11850	POPPET	1
8	11545	LINK, POPPET/HANDLE	1
9	11544	LINK, SHAFT	1
10	11543 ^{1,3}	SHAFT	1
11	11661	E-CLIP	1
12	11662	E-CLIP	1
13	11618	CLEVIS PIN	3
14	11365M ⁴	SIGHT GLASS	1
15	H51437M ⁴	O-RING	1
16	H51384M ⁴	FLOAT BALL	1
17	11366M ⁴	SCREW	4
18	11705 ^{1,2,3}	QUAD RING	1
19	11536 ^{1,3}	BEARING	1
20	10840 ^{1,3}	NYLON WASHER	1

ITEM	PART NUMBER	DESCRIPTION	QTY.
21	H06924M ^{1,2,3}	O-RING	1
22	H20182M ^{1,3}	SPRING	1
23	11490 ^{1,3}	HUB	1
24	H20199M ^{1,3}	NYLON WASHER	1
25	11460 ¹	HANDLE	1
26	H08901M ^{1,3}	FULCRUM PIN	1
27	11623 ^{1,3}	BOWTIE CLIP	1
28	11664	SPRING	1
29	11665	BEARING	1
30	11703	RETAINING RING	1
31	11704 ^{1,3}	WASHER	1
32	H20057M ⁴	LOCK WASHER	4
33	H20058M ²	O-RING	1
34	12080	PLUG, 3/8" NPT	1
35	H20312M ⁴	WASHER	4
REPAIR KITS			
	891HRK	HANDLE REPAIR KIT	
	891ORK	O-RING REPAIR KIT	
	891SRK	SHAFT REPAIR KIT	
	891BRK	SIGHT GLASS REPAIR KIT	

1—Included in 891HRK, 2—Included in 891ORK, 3—Included in 891SRK, 4—Included in 891BRK