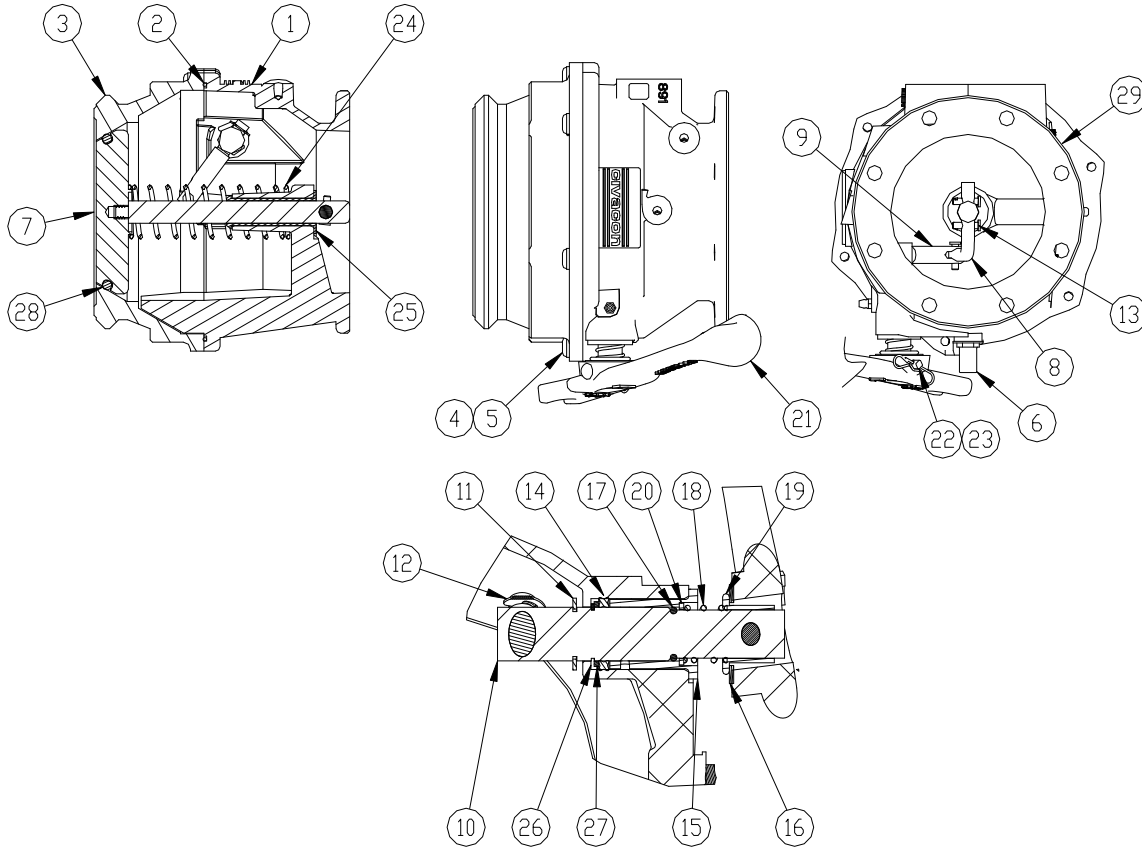




891A Bottom Loading Adaptor



PARTS BREAK DOWN

ITEM	PART NUMBER	DESCRIPTION	QTY.
1	11750	BODY, MACHINED	1
2	11905 ²	O-RING	1
3	11550	ADAPTOR FACE	1
4	10806M	LOCK WASHER	6
5	11534	SCREW	6
6	H20051M	STOP PIN	1
7	11850	POPPET	1
8	11545	LINK, POPPET/HANDLE	1
9	11544	LINK, SHAFT	1
10	11543 ^{1,3}	SHAFT	1
11	11661	E-CLIP	1
12	11662	E-CLIP	1
13	11618	CLEVIS PIN	3
14	11705 ^{1,2,3}	QUAD RING	1
15	11536 ^{1,3}	BEARING	1
16	10840 ^{1,3}	NYLON WASHER	1
17	H06924M ^{1,2,3}	O-RING	1

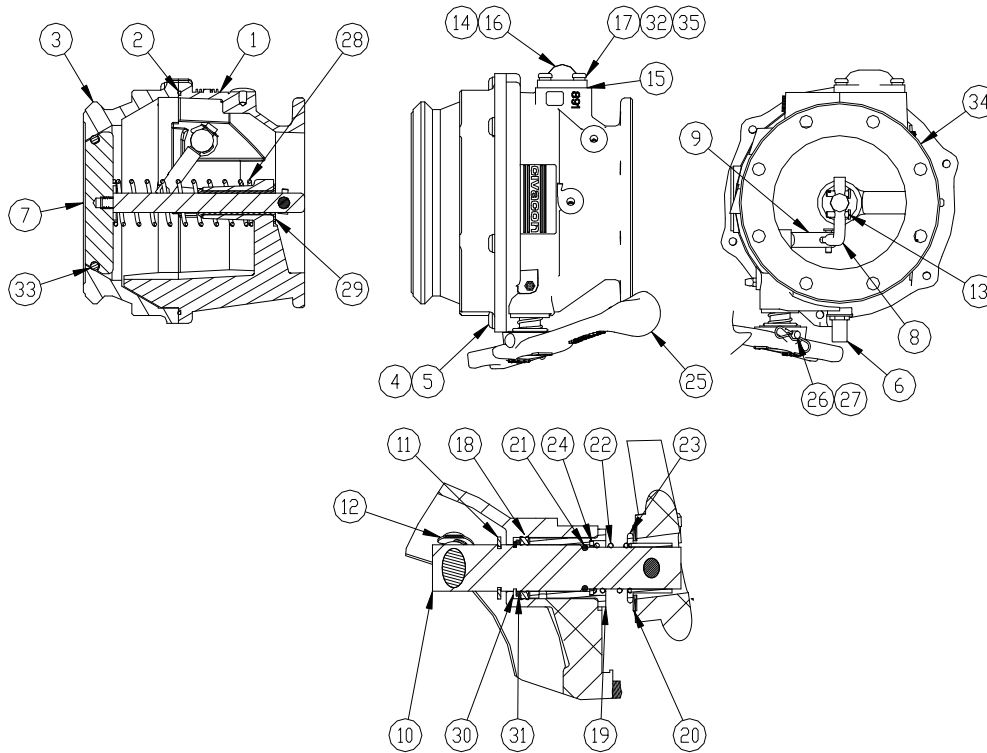
ITEM	PART NUMBER	DESCRIPTION	QTY.
18	H20182M ^{1,3}	SPRING	1
19	11490 ^{1,3}	HUB	1
20	H20199M ^{1,3}	NYLON WASHER	1
21	11460 ¹	HANDLE	1
22	H08901M ^{1,3}	FULCRUM PIN	1
23	11623 ^{1,3}	BOWTIE CLIP	1
24	11664	SPRING	1
25	11665	BEARING	1
26	11703	RETAINING RING	1
27	11704 ^{1,3}	WASHER	1
28	H20058M ²	O-RING	1
29	12080	PLUG, 3/8" NPT	1

REPAIR KITS	
891HRK	HANDLE REPAIR KIT
891ORK	O-RING REPAIR KIT
891SRK	SHAFT REPAIR KIT

1—Included in 891HRK, 2—Included in 891ORK, 3—Included in 891SRK



891BA Bottom Loading Adaptor



PARTS BREAK DOWN

ITEM	PART NUMBER	DESCRIPTION	QTY.
1	11548	BODY, MACHINED	1
2	11905 ²	O-RING	1
3	11550	ADAPTOR FACE	1
4	10806M	LOCK WASHER	6
5	11534	SCREW	6
6	H20051M	STOP PIN	1
7	11850	POPPET	1
8	11545	LINK, POPPET/HANDLE	1
9	11544	LINK, SHAFT	1
10	11543 ^{1,3}	SHAFT	1
11	11661	E-CLIP	1
12	11662	E-CLIP	1
13	11618	CLEVIS PIN	3
14	11365M ⁴	SIGHT GLASS	1
15	H51437M ⁴	O-RING	1
16	H51384M ⁴	FLOAT BALL	1
17	11366M ⁴	SCREW	4
18	11705 ^{1,2,3}	QUAD RING	1
19	11536 ^{1,3}	BEARING	1
20	10840 ^{1,3}	NYLON WASHER	1

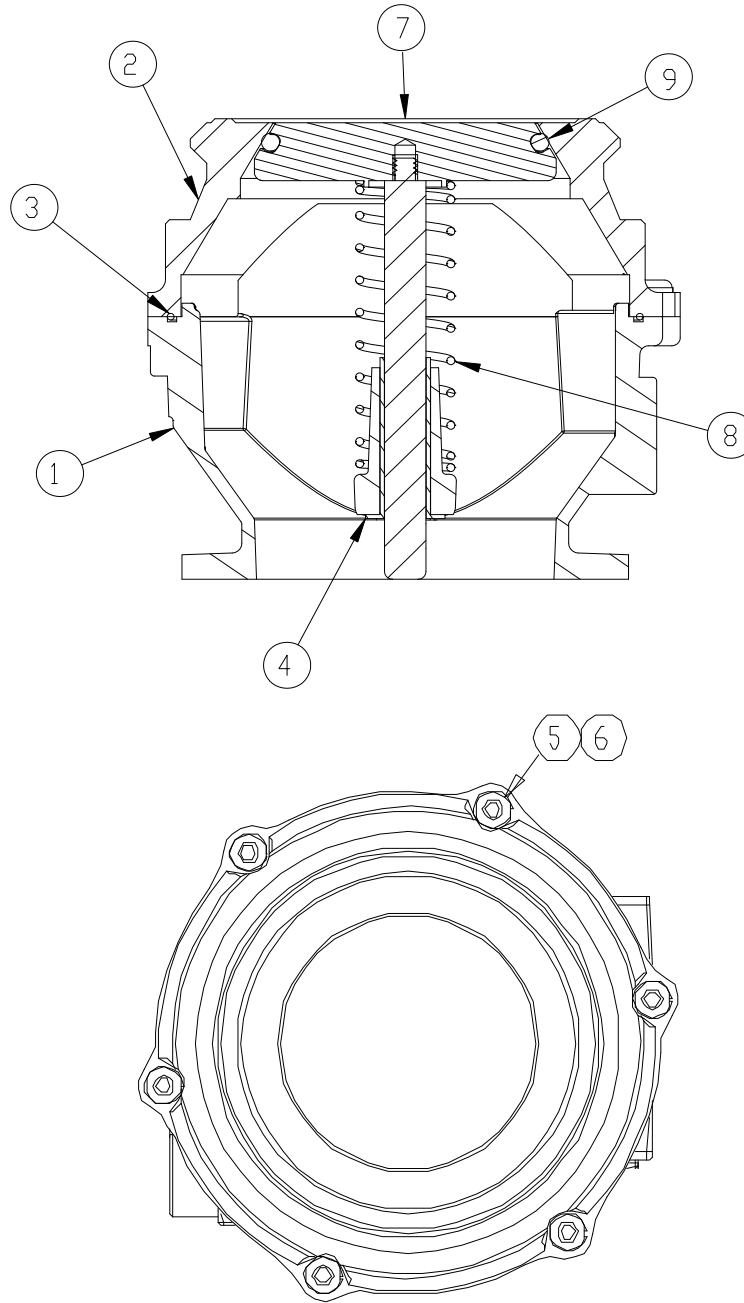
ITEM	PART NUMBER	DESCRIPTION	QTY.
21	H06924M ^{1,2,3}	O-RING	1
22	H20182M ^{1,3}	SPRING	1
23	11490 ^{1,3}	HUB	1
24	H20199M ^{1,3}	NYLON WASHER	1
25	11460 ¹	HANDLE	1
26	H08901M ^{1,3}	FULCRUM PIN	1
27	11623 ^{1,3}	BOWTIE CLIP	1
28	11664	SPRING	1
29	11665	BEARING	1
30	11703	RETAINING RING	1
31	11704 ^{1,3}	WASHER	1
32	H20057M ⁴	LOCK WASHER	4
33	H20058M ²	O-RING	1
34	12080	PLUG, 3/8' NPT	1
35	H20312M ⁴	WASHER	4
REPAIR KITS			
	891HRK	HANDLE REPAIR KIT	
	891ORK	O-RING REPAIR KIT	
	891SRK	SHAFT REPAIR KIT	
	891BRK	SIGHT GLASS REPAIR KIT	

1—Included in 891HRK, 2—Included in 891ORK, 3—Included in 891SRK, 4—Included in 891BRK



891N Bottom Loading Adaptor

PARTS BREAK DOWN



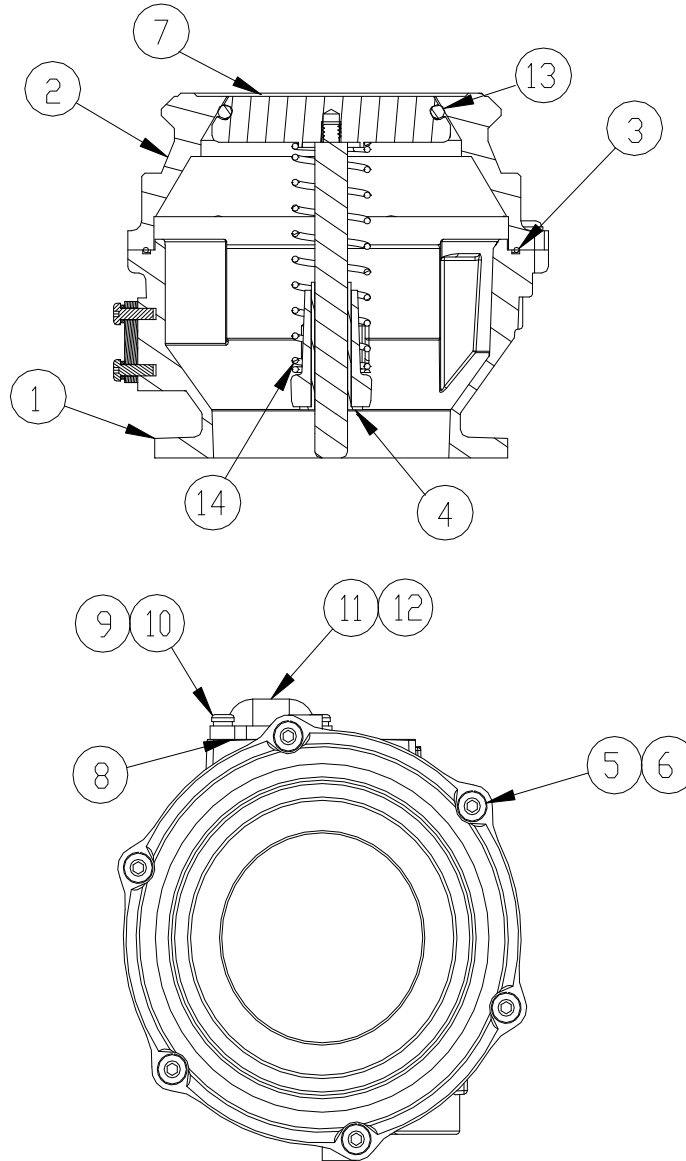
ITEM	PART NUMBER	DESCRIPTION	QTY.
1	11748	BODY, MACHINED	1
2	11550	ADAPTOR FACE	1
3	11537	O-RING	1
4	11665	BEARING	1
5	10806M	LOCK WASHER	6

ITEM	PART NUMBER	DESCRIPTION	QTY.
6	11534	SCREW	6
7	11580	POPPET	1
8	11664	SPRING	1
9	H20058M	POPPET O-RING	1



891NB Bottom Loading Adaptor

PARTS BREAK DOWN



ITEM	PART NUMBER	DESCRIPTION	QTY.
1	11748	BODY, MACHINED	1
2	11550	ADAPTOR FACE	1
3	11537	O-RING	1
4	11665	BEARING	1
5	10806M	LOCK WASHER	6
6	11534	SCREW	6
7	11850	POPPET	1
8	H51437M ¹	O-RING	1
9	11366M ¹	SCREW	4

ITEM	PART NUMBER	DESCRIPTION	QTY.
10	H20057M ¹	LOCK WASHER	4
11	11365M ¹	SIGHT GLASS	1
12	H51384M ¹	FLOAT BALL	1
13	H20058M	O-RING	1
14	11664	SPRING	1

REPAIR KITS	
891BRK	SIGHT GLASS REPAIR KIT

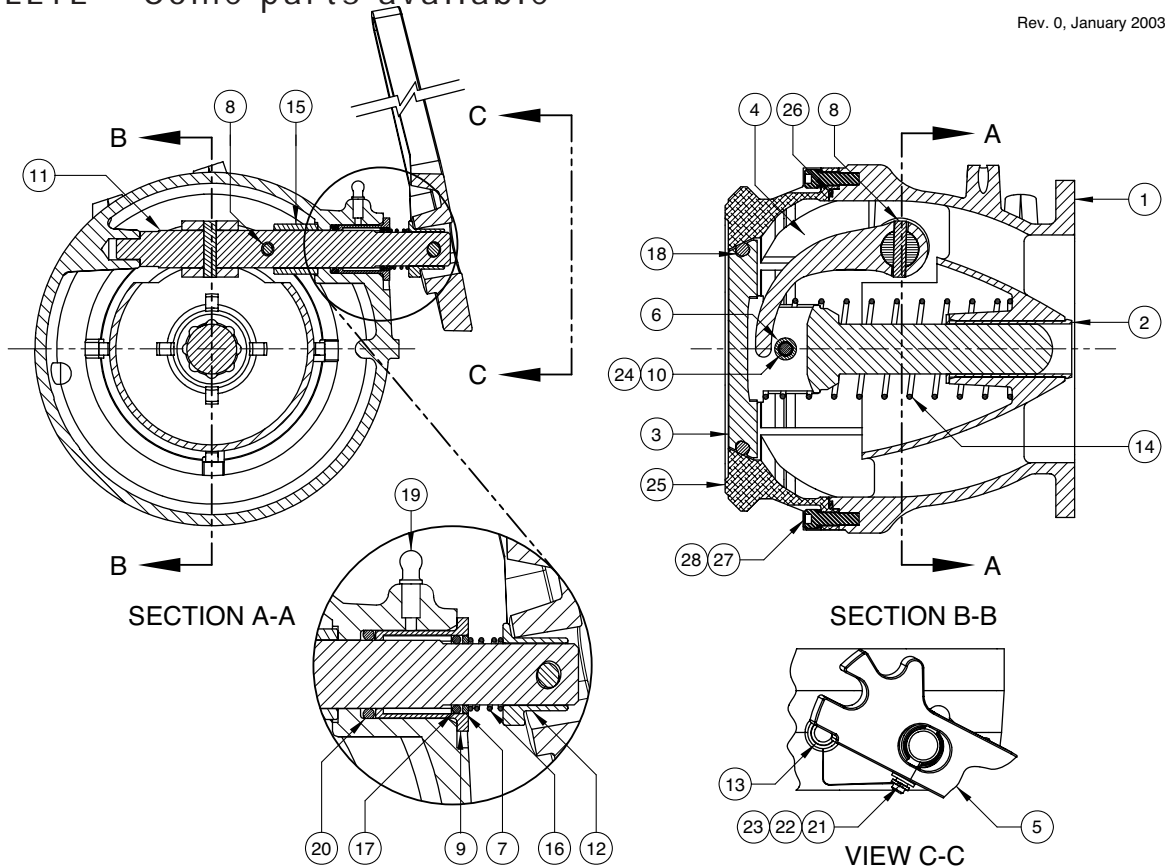
¹—Included in 891BRK



861 Bottom Loading Adaptor

Replacement Parts
OBSOLETE – Some parts available

Rev. 0, January 2003



ITEM	PART NUMBER	DESCRIPTION	QTY.
1	E10066A	BODY	1
2	H20071M	BEARING (POPPET)	1
3	E10004A	POPPET	1
4	C10008EW	CAM	1
5	C10009M	HANDLE (DURATUFF) ²	1
6	H20052M	ROLLER	1
7	H20199M	WASHER ²	1
8	H20092M	LOCK PIN (SHAFT)	2
9	H20048M	BEARING ²	1
10	H20078M	ROLLER BEARING	1
11	H20050RE	SHAFT	1
12	H20049M	HUB ²	1
13	H20051M	STOP PIN	1
14	H20178M	SPRING (POPPET)	1
15	H20203M	SPACER	1
16	H20182M	SPRING (HANDLE) ²	1
17	H06924M	O-RING (OUTER SHAFT, BUNA) ^{1,2}	1

ITEM	PART NUMBER	DESCRIPTION	QTY.
18	H20058M	O-RING (POPPET, VITON) ¹	1
19	H20285M	GREASE FITTING	1
20	H20311M	O-RING (INNER SHAFT, BUNA) ¹	1
21	H08901M	FULCRUM PIN ²	1
22	H20312M	WASHER ²	1
23	H04981M	COTTER PIN ²	1
24	H20361M	LOCK PIN (POPPET)	1
25	E10003AH	ADAPTOR FACE (ANODIZED)	1
26	H20315M	O-RING (BUNA) ²	1
27	H20151M	CAP SCREW	8
28	H20057M	LOCK WASHER	8

REPAIR KITS	
PART NUMBER	DESCRIPTION
861ORK	O-RING REPAIR KIT
861HRK	HANDLE REPAIR KIT (DURATUFF)

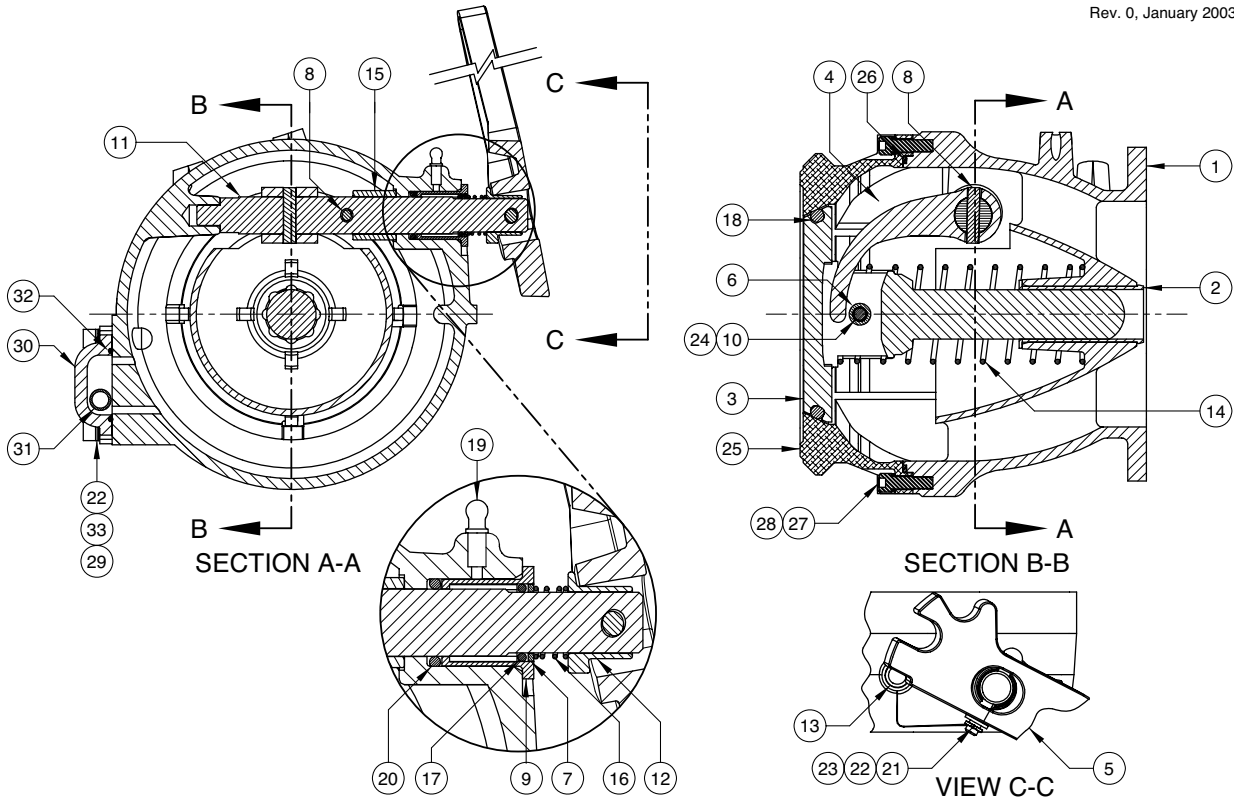
1 - Included in 861ORK, 2 - Included in 861HRK



861B Bottom Loading Adaptor

Replacement Parts

Rev. 0, January 2003



ITEM	PART NUMBER	DESCRIPTION	QTY.
1	E10066A	BODY	1
2	H20071M	BEARING (POPPET)	1
3	E10004A	POPPET	1
4	C10008EW	CAM	1
5	C10009M	HANDLE (DURATUFF) ³	1
6	H20052M	ROLLER	1
7	H20199M	WASHER ³	1
8	H20092M	LOCK PIN (SHAFT)	2
9	H20048M	BEARING ³	1
10	H20078M	ROLLER BEARING	1
11	H20050RE	SHAFT	1
12	H20049M	HUB ³	1
13	H20051M	STOP PIN	1
14	H20178M	SPRING (POPPET)	1
15	H20203M	SPACER	1
16	H20182M	SPRING (HANDLE) ³	1
17	H06924M	O-RING (OUTER SHAFT, BUNA) ^{1,3}	1
18	H20058M	O-RING (POPPET, VITON) ¹	1
19	H20285M	GREASE FITTING	1
20	H20311M	O-RING (INNER SHAFT, BUNA) ¹	1

ITEM	PART NUMBER	DESCRIPTION	QTY.
21	H08901M	FULCRUM PIN ³	1
22	H20312M	WASHER ^{2,3}	5
23	H04981M	COTTER PIN ³	1
24	H20361M	LOCK PIN (POPPET)	1
25	E10003AH	ADAPTOR FACE (ANODIZED)	1
26	H20315M	O-RING (BUNA)	1
27	H20151M	CAP SCREW	8
28	H20057M	LOCK WASHER	8
29	H51477M	SCREW ²	4
30	C10316M	SIGHT GLASS ²	1
31	H51384M	FLOAT BALL ²	1
32	H51437M	O-RING (SIGHT GLASS) ²	1
33	H20057M	LOCK WASHER ²	4

REPAIR KITS	
PART NUMBER	DESCRIPTION
861ORK	O-RING REPAIR KIT
861BRK	SIGHT GLASS REPAIR KIT
861HRK	HANDLE REPAIR KIT (DURATUFF)

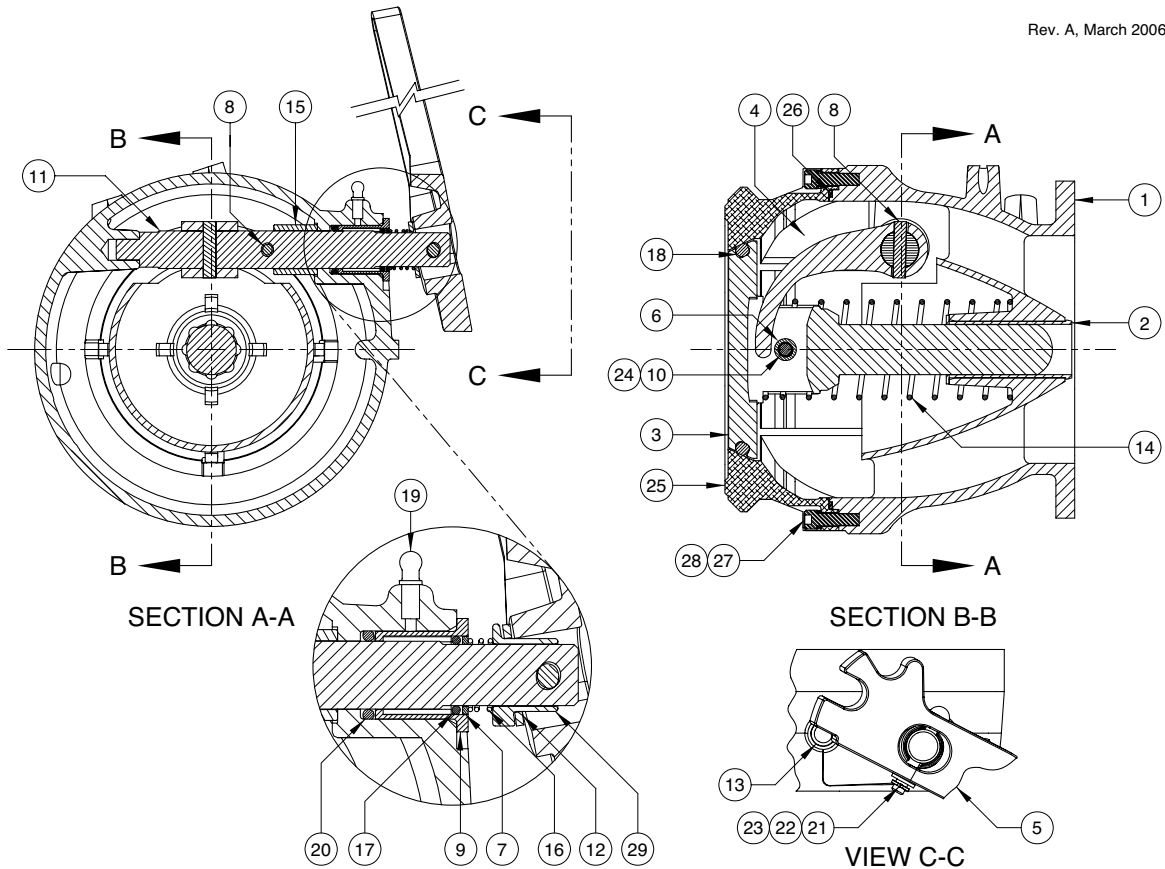
1 - Included in 861ORK, 2 - Included in 861BRK, 3 - Included in 861HRK



861A Bottom Loading Adaptor

Replacement Parts

Rev. A, March 2006



ITEM	PART NUMBER	DESCRIPTION	QTY.
1	E10066A	BODY	1
2	H20071M	BEARING (POPPET)	1
3	E10004A	POPPET	1
4	C10008EW	CAM	1
5	D51940M	HANDLE (ALUMINUM) ²	1
6	H20052M	ROLLER	1
7	H20199M	WASHER ²	1
8	H20092M	LOCK PIN (SHAFT)	2
9	H20048M	BEARING ²	1
10	H20078M	ROLLER BEARING	1
11	H20050RE	SHAFT	1
12	10840	WASHER ²	1
13	H20051M	STOP PIN	1
14	H20178M	SPRING (POPPET)	1
15	H20203M	SPACER	1
16	H20182M	SPRING (HANDLE) ²	1
17	H06924M	O-RING (OUTER SHAFT, BUNA) ^{1,2}	1

ITEM	PART NUMBER	DESCRIPTION	QTY.
18	H20058M	O-RING (POPPET, VITON) ¹	1
19	H20285M	GREASE FITTING	1
20	H20311M	O-RING (INNER SHAFT, BUNA) ¹	1
21	H08901M	FULCRUM PIN ²	1
22	H20312M	WASHER ²	1
23	H04981M	COTTER PIN ²	1
24	H20361M	LOCK PIN (POPPET)	1
25	E10003AH	ADAPTOR FACE (ANODIZED)	1
26	H20315M	O-RING (BUNA)	1
27	H20151M	CAP SCREW	8
28	H20057M	LOCK WASHER	8
29	H20049M	HUB ²	1

REPAIR KITS	
PART NUMBER	DESCRIPTION
861ORK	O-RING REPAIR KIT
861HRK-ALUM	HANDLE REPAIR KIT (ALUMINUM)

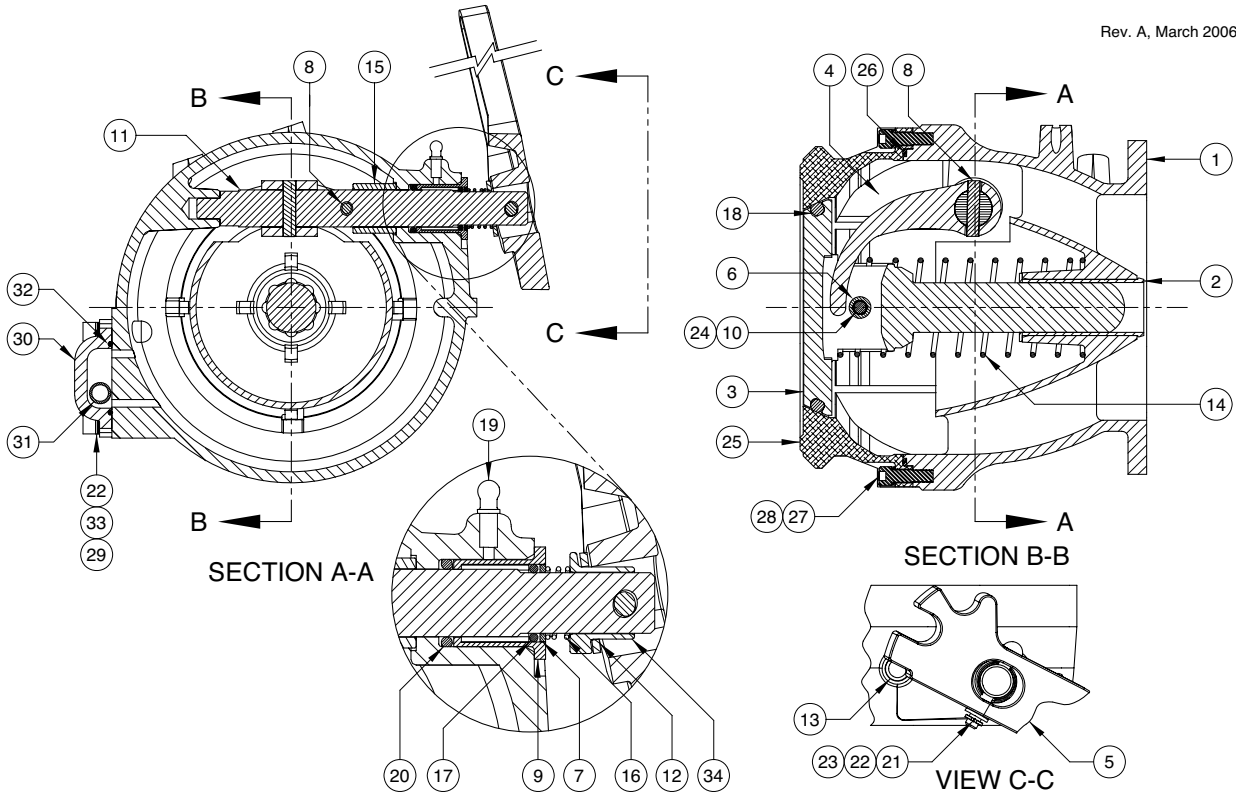
1 - Included in 861ORK, 2 - Included in 861HRK-ALUM



861BA Bottom Loading Adaptor

Replacement Parts

Rev. A, March 2006



ITEM	PART NUMBER	DESCRIPTION	QTY.
1	E10066A	BODY	1
2	H20071M	BEARING (POPPET)	1
3	E10004A	POPPET	1
4	C10008EW	CAM	1
5	D51940M	HANDLE (ALUMINUM) ³	1
6	H20052M	ROLLER	1
7	H20199M	WASHER ³	1
8	H20092M	LOCK PIN (SHAFT)	2
9	H20048M	BEARING ³	1
10	H20078M	ROLLER BEARING	1
11	H20050RE	SHAFT	1
12	10840	WASHER ³	1
13	H20051M	STOP PIN	1
14	H20178M	SPRING (POPPET)	1
15	H20203M	SPACER	1
16	H20182M	SPRING (HANDLE) ³	1
17	H06924M	O-RING (OUTER SHAFT, BUNA) ^{1,3}	1
18	H20058M	O-RING (POPPET, VITON) ¹	1
19	H20285M	GREASE FITTING	1
20	H20311M	O-RING (INNER SHAFT, BUNA) ¹	1

ITEM	PART NUMBER	DESCRIPTION	QTY.
21	H08901M	FULCRUM PIN ³	1
22	H20312M	WASHER ^{2,3}	5
23	H04981M	COTTER PIN ³	1
24	H20361M	LOCK PIN (POPPET)	1
25	E10003AH	ADAPTOR FACE (ANODIZED)	1
26	H20315M	O-RING (BUNA)	1
27	H20151M	CAP SCREW	8
28	H20057M	LOCK WASHER	8
29	H51477M	SCREW ²	4
30	C10316M	SIGHT GLASS ²	1
31	H51384M	FLOAT BALL ²	1
32	H51437M	O-RING (SIGHT GLASS) ²	1
33	H20057M	LOCK WASHER ²	4
34	H20049M	HUB ²	1

REPAIR KITS	
PART NUMBER	DESCRIPTION
861ORK	O-RING REPAIR KIT
861BRK	SIGHT GLASS REPAIR KIT
861HRK-ALUM	HANDLE REPAIR KIT (ALUMINUM)

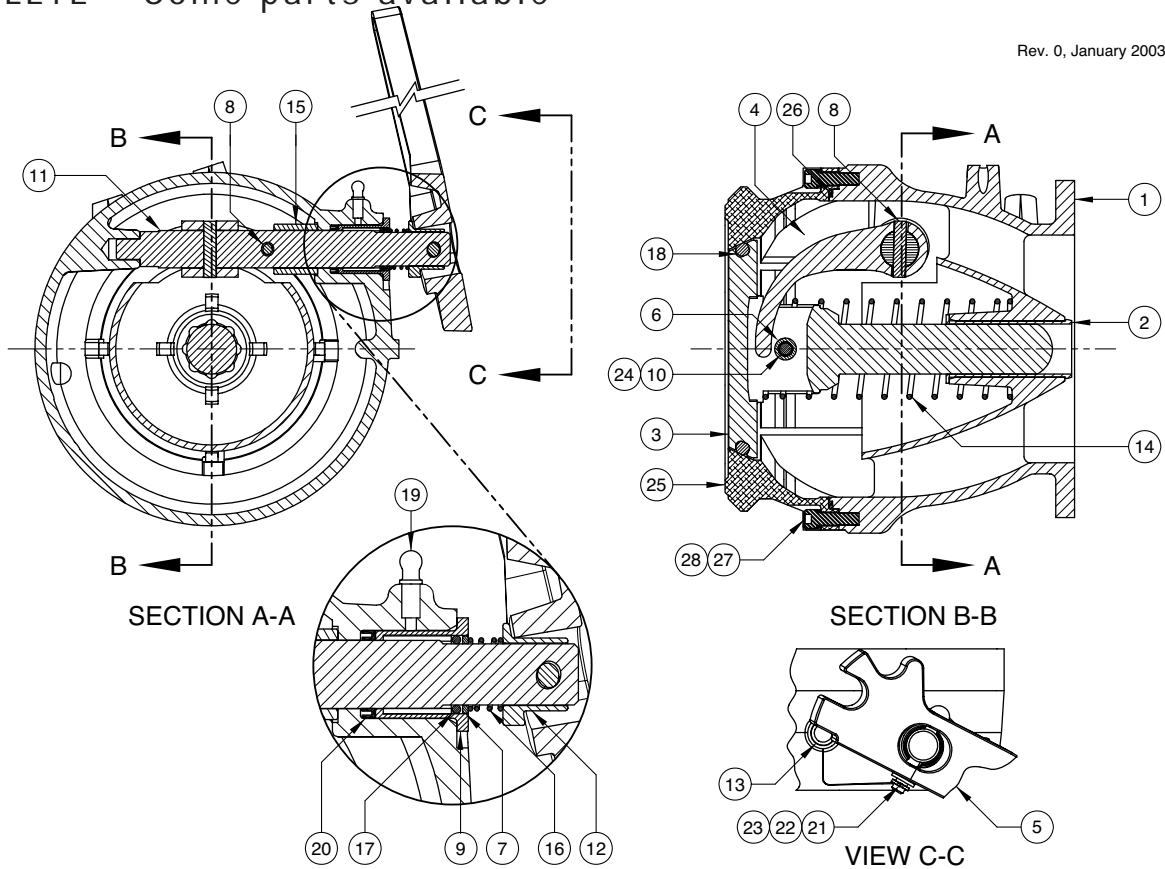
1 - Included in 861ORK, 2 - Included in 861BRK, 3 - Included in 861HRK-ALUM



861ST Bottom Loading Adaptor

Replacement Parts
OBSOLETE – Some parts available

Rev. 0, January 2003



ITEM	PART NUMBER	DESCRIPTION	QTY.
1	E10066A	BODY	1
2	H20071M	BEARING (POPPET)	1
3	E10004A	POPPET	1
4	C10008EW	CAM	1
5	C10009M	HANDLE (DURATUFF) ²	1
6	H20052M	ROLLER	1
7	H20199M	WASHER ²	1
8	H20092M	LOCK PIN (SHAFT)	2
9	H20048M	BEARING ²	1
10	H20078M	ROLLER BEARING	1
11	H20050RE	SHAFT	1
12	H20049M	HUB ²	1
13	H20051M	STOP PIN	1
14	H20073M	SPRING (POPPET)	1
15	H20203M	SPACER	1
16	H20182M	SPRING (HANDLE) ²	1
17	H06924M	O-RING (OUTER SHAFT, BUNA) ^{1,2}	1

ITEM	PART NUMBER	DESCRIPTION	QTY.
18	H20100M	O-RING (POPPET, PTFE/SIL) ¹	1
19	H20285M	GREASE FITTING	1
20	H20102M	SEAL RING (PTFE) ¹	1
21	H08901M	FULCRUM PIN ²	1
22	H20312M	WASHER ²	1
23	H04981M	COTTER PIN ²	1
24	H20361M	LOCK PIN (POPPET)	1
25	E10003AH	ADAPTOR FACE (ANODIZED)	1
26	H20099M	O-RING (PTFE)	1
27	H20151M	CAP SCREW	8
28	H20057M	LOCK WASHER	8

REPAIR KITS	
PART NUMBER	DESCRIPTION
861STORK	O-RING REPAIR KIT
861HRK	HANDLE REPAIR KIT (DURATUFF)

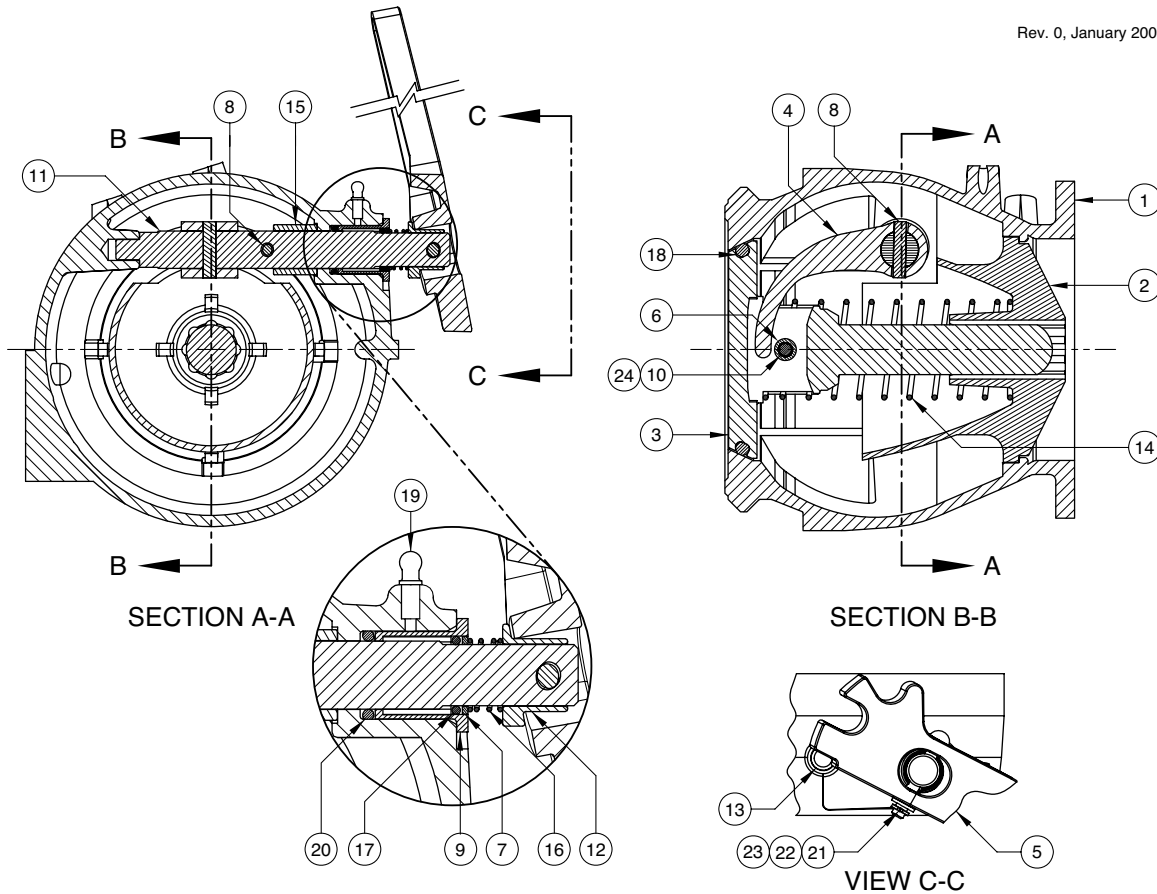
1 - Included in 861STORK, 2 - Included in 861HRK



897 Bottom Loading Adapter

Replacement Parts

Rev. 0, January 2003



ITEM	PART NUMBER	DESCRIPTION	QTY.
1	E51718A	BODY	1
2	E51507M	DEFLECTOR	1
3	E10004A	POPPET	1
4	C10008EW	CAM	1
5	C10009M	HANDLE (DURATUFF) ²	1
6	H20052M	ROLLER	1
7	H20199M	WASHER ²	1
8	H20092M	LOCK PIN (SHAFT)	2
9	H20048M	BEARING ²	1
10	H20078M	ROLLER BEARING	1
11	H20050RE	SHAFT	1
12	H20049M	HUB ²	1
13	H20051M	STOP PIN	1
14	H20178M	SPRING (POPPET)	1
15	H20203M	SPACER	1

ITEM	PART NUMBER	DESCRIPTION	QTY.
16	H20182M	SPRING (HANDLE) ²	1
17	H06924M	O-RING (OUTER SHAFT, BUNA) ^{1,2}	1
18	H20058M	O-RING (POPPET, VITON) ¹	1
19	H20285M	GREASE FITTING	1
20	H20311M	O-RING (INNER SHAFT, BUNA) ¹	1
21	H08901M	FULCRUM PIN ²	1
22	H20312M	WASHER ²	1
23	H04981M	COTTER PIN ²	1
24	H20361M	LOCK PIN (POPPET)	1

REPAIR KITS	
PART NUMBER	DESCRIPTION
861ORK	O-RING REPAIR KIT
861HRK	HANDLE REPAIR KIT (DURATUFF)

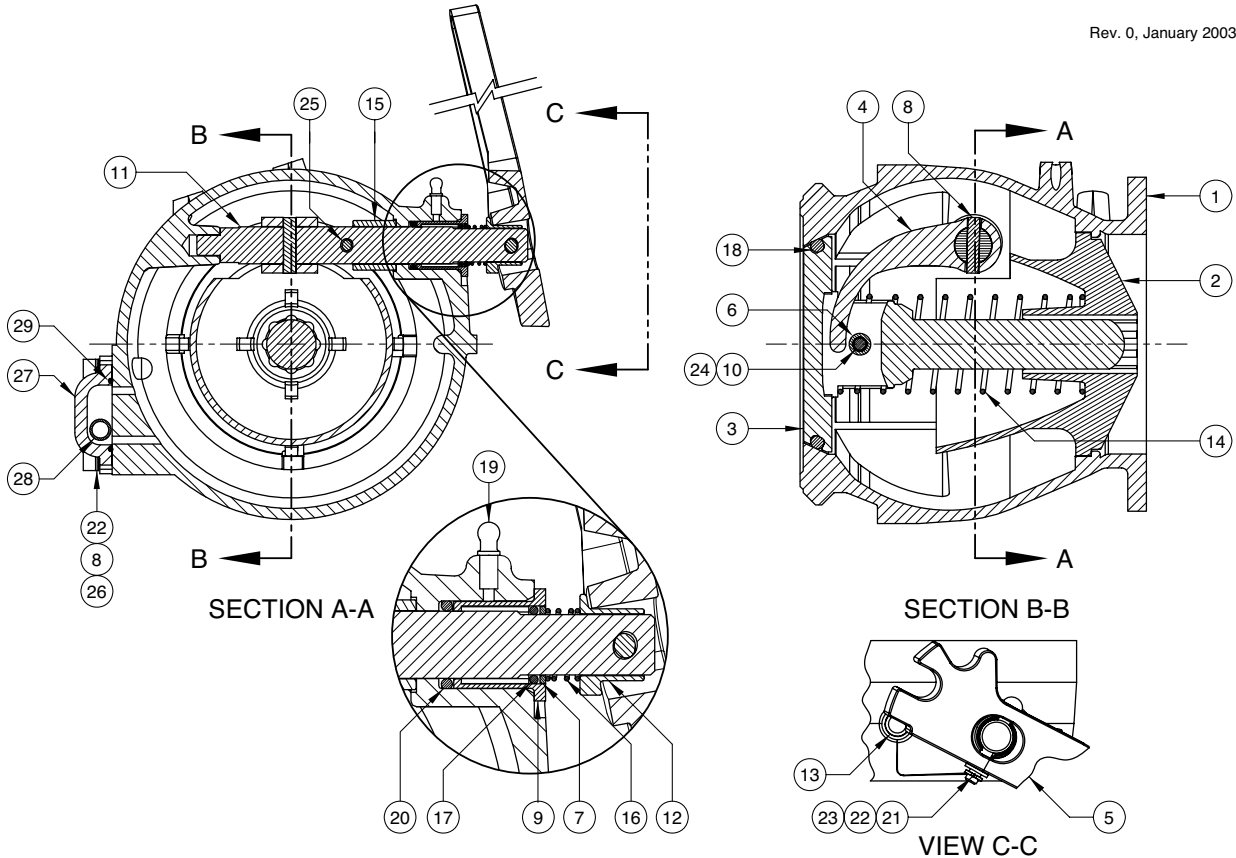
1 - Included in 861ORK, 2 - Included in 861HRK



897B Bottom Loading Adaptor

Replacement Parts

Rev. 0, January 2003



ITEM	PART NUMBER	DESCRIPTION	QTY.
1	E51483A	BODY	1
2	E51507M	DEFLECTOR	1
3	E10004A	POPPET	1
4	C10008EW	CAM	1
5	C10009M	HANDLE (DURATUFF) ³	1
6	H20052M	ROLLER	1
7	H20199M	WASHER ³	1
8	H20057M	LOCK WASHER ²	4
9	H20048M	BEARING ³	1
10	H20078M	ROLLER BEARING	1
11	H20050RE	SHAFT	1
12	H20049M	HUB ³	1
13	H20051M	STOP PIN	1
14	H20178M	SPRING (POPPET)	1
15	H20203M	SPACER	1
16	H20182M	SPRING (HANDLE) ³	1
17	H06924M	O-RING (OUTER SHAFT, BUNA) ^{1,3}	1
18	H20058M	O-RING (POPPET, VITON) ¹	1

ITEM	PART NUMBER	DESCRIPTION	QTY.
19	H20285M	GREASE FITTING	1
20	H20311M	O-RING (INNER SHAFT, BUNA) ¹	1
21	H08901M	FULCRUM PIN ³	1
22	H20312M	WASHER ^{2,3}	5
23	H04981M	COTTER PIN ³	1
24	H20361M	LOCK PIN (POPPET)	1
25	H20092M	LOCK PIN (SHAFT)	2
26	H51477M	SCREW ²	4
27	C10316M	SIGHT GLASS ²	1
28	H51384M	FLOAT BALL ²	1
29	H51437M	O-RING (SIGHT GLASS) ²	1

REPAIR KITS	
PART NUMBER	DESCRIPTION
861ORK	O-RING REPAIR KIT
861BRK	SIGHT GLASS REPAIR KIT
861HRK	HANDLE REPAIR KIT (DURATUFF)

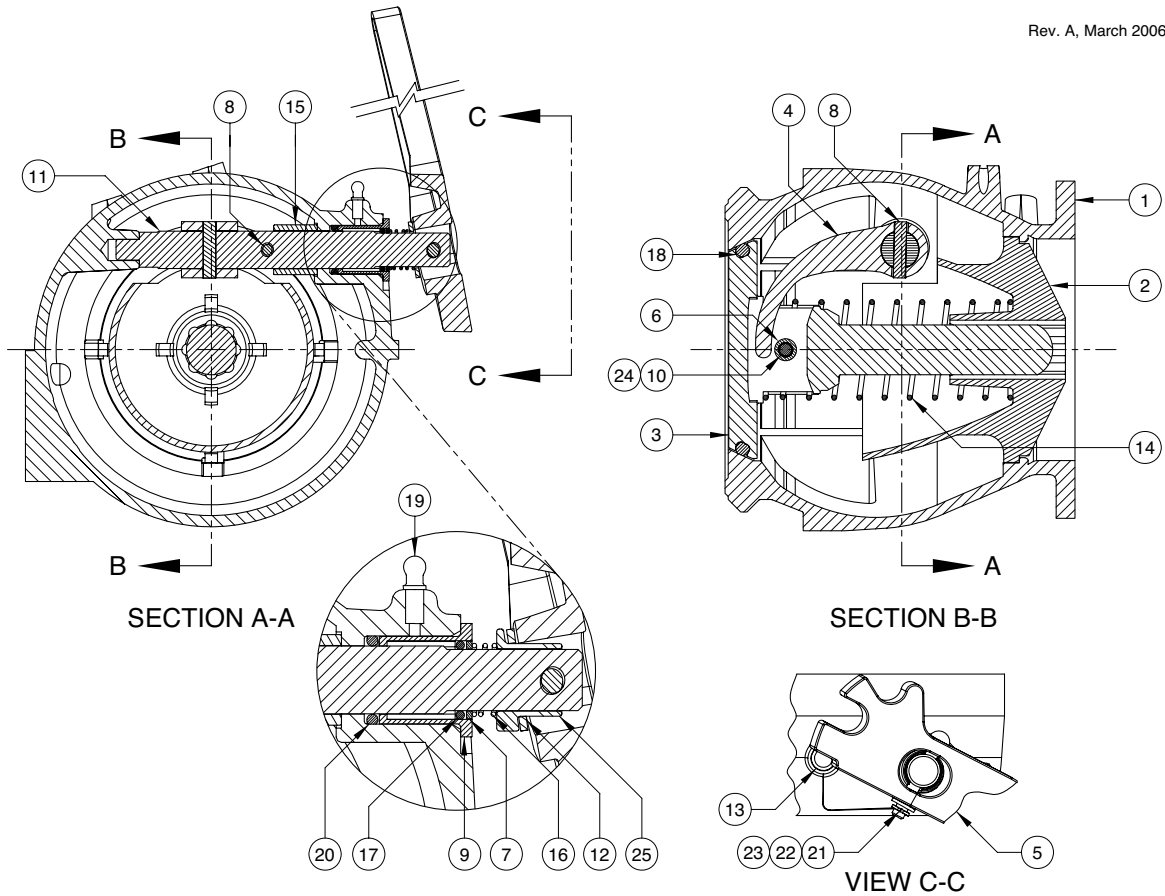
1 - Included in 861ORK, 2 - Included in 861BRK, 3 - Included in 861HRK



897A Bottom Loading Adaptor

Replacement Parts

Rev. A, March 2006



ITEM	PART NUMBER	DESCRIPTION	QTY.
1	E51718A	BODY	1
2	E51507M	DEFLECTOR	1
3	E10004A	POPPET	1
4	C10008EW	CAM	1
5	D51940M	HANDLE (ALUMINUM) ²	1
6	H20052M	ROLLER	1
7	10840	WASHER ²	1
8	H20092M	LOCK PIN (SHAFT)	2
9	H20048M	BEARING ²	1
10	H20078M	ROLLER BEARING	1
11	H20050RE	SHAFT	1
12	H52344M	WASHER ²	1
13	H20051M	STOP PIN	1
14	H20178M	SPRING (POPPET)	1
15	H20203M	SPACER	1

ITEM	PART NUMBER	DESCRIPTION	QTY.
16	H20182M	SPRING (HANDLE) ²	1
17	H06924M	O-RING (OUTER SHAFT, BUNA) ^{1,2}	1
18	H20058M	O-RING (POPPET, VITÓN)	1
19	H20285M	GREASE FITTING	1
20	H20311M	O-RING (INNER SHAFT, BUNA) ¹	1
21	H08901M	FULCRUM PIN ²	1
22	H20312M	WASHER ²	1
23	H04981M	COTTER PIN ²	1
24	H20361M	LOCK PIN (POPPET)	1
25	H20049M	HUB ²	1

REPAIR KITS	
PART NUMBER	DESCRIPTION
861ORK	O-RING REPAIR KIT
861HRK-ALUM	HANDLE REPAIR KIT (ALUMINUM)

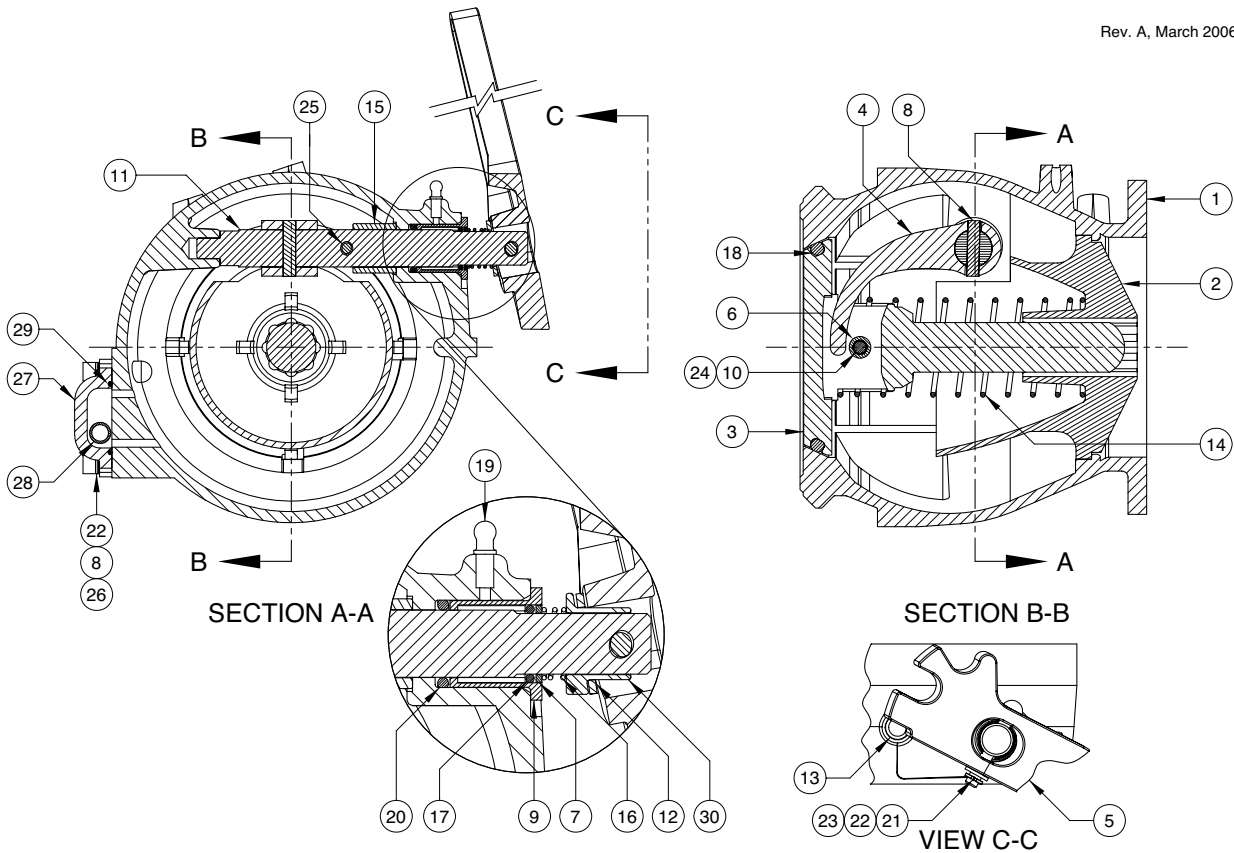
1 - Included in 861ORK, 2 - Included in 861HRK-ALUM



897BA Bottom Loading Adaptor

Replacement Parts

Rev. A, March 2006



ITEM	PART NUMBER	DESCRIPTION	QTY.
1	E51483A	BODY	1
2	E51507M	DEFLECTOR	1
3	E10004A	POPPET	1
4	C10008EW	CAM	1
5	D51940M	HANDLE (ALUMINUM) ³	1
6	H20052M	ROLLER	1
7	H20199M	WASHER ³	1
8	H20057M	LOCK WASHER ²	4
9	H20048M	BEARING ³	1
10	H20078M	ROLLER BEARING	1
11	H20050RE	SHAFT	1
12	10840	WASHER ²	1
13	H20051M	STOP PIN	1
14	H20178M	SPRING (POPPET)	1
15	H20203M	SPACER	1
16	H20182M	SPRING (HANDLE) ³	1
17	H06924M	O-RING (OUTER SHAFT, BUNA) ^{1,3}	1
18	H20058M	O-RING (POPPET, VITON) ¹	1

ITEM	PART NUMBER	DESCRIPTION	QTY.
19	H20285M	GREASE FITTING	1
20	H20311M	O-RING (INNER SHAFT, BUNA) ¹	1
21	H08901M	FULCRUM PIN ³	1
22	H20312M	WASHER ^{2,3}	5
23	H04981M	COTTER PIN ³	1
24	H20361M	LOCK PIN (POPPET)	1
25	H20092M	LOCK PIN (SHAFT)	2
26	H51477M	SCREW ²	4
27	C10316M	SIGHT GLASS ²	1
28	H51384M	FLOAT BALL ²	1
29	H51437M	O-RING (SIGHT GLASS) ²	1
30	H20049M	HUB ²	1

REPAIR KITS	
PART NUMBER	DESCRIPTION
861ORK	O-RING REPAIR KIT
861BRK	SIGHT GLASS REPAIR KIT
861HRK-ALUM	HANDLE REPAIR KIT (ALUMINUM)

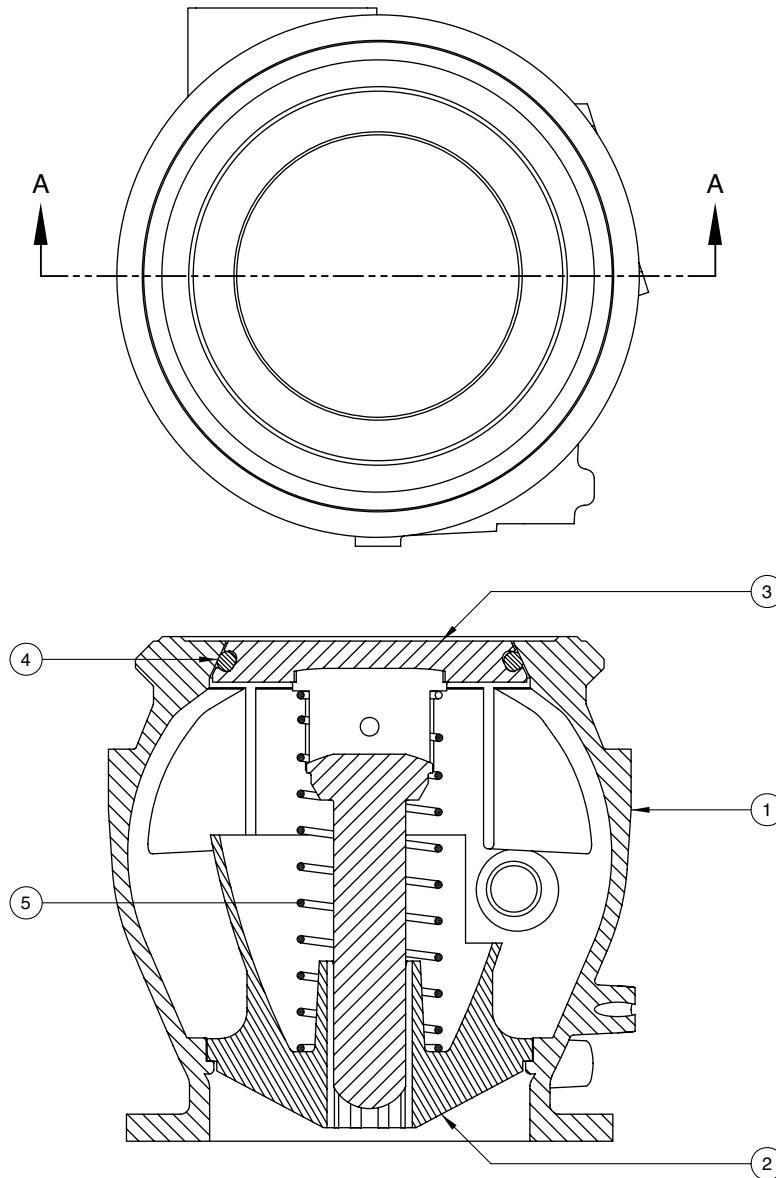
1 - Included in 861ORK, 2 - Included in 861BRK, 3 - Included in 861HRK



897N Bottom Loading Adaptor

Replacement Parts

Rev. 0, January 2003



SECTION A-A

ITEM	PART NUMBER	DESCRIPTION	QTY.
1	E51838A	BODY	1
2	E51507M	DEFLECTOR	1
3	E10004A	POPPET	1

ITEM	PART NUMBER	DESCRIPTION	QTY.
4	H20058M	O-RING (VITON)	1
5	H20178M	SPRING	1