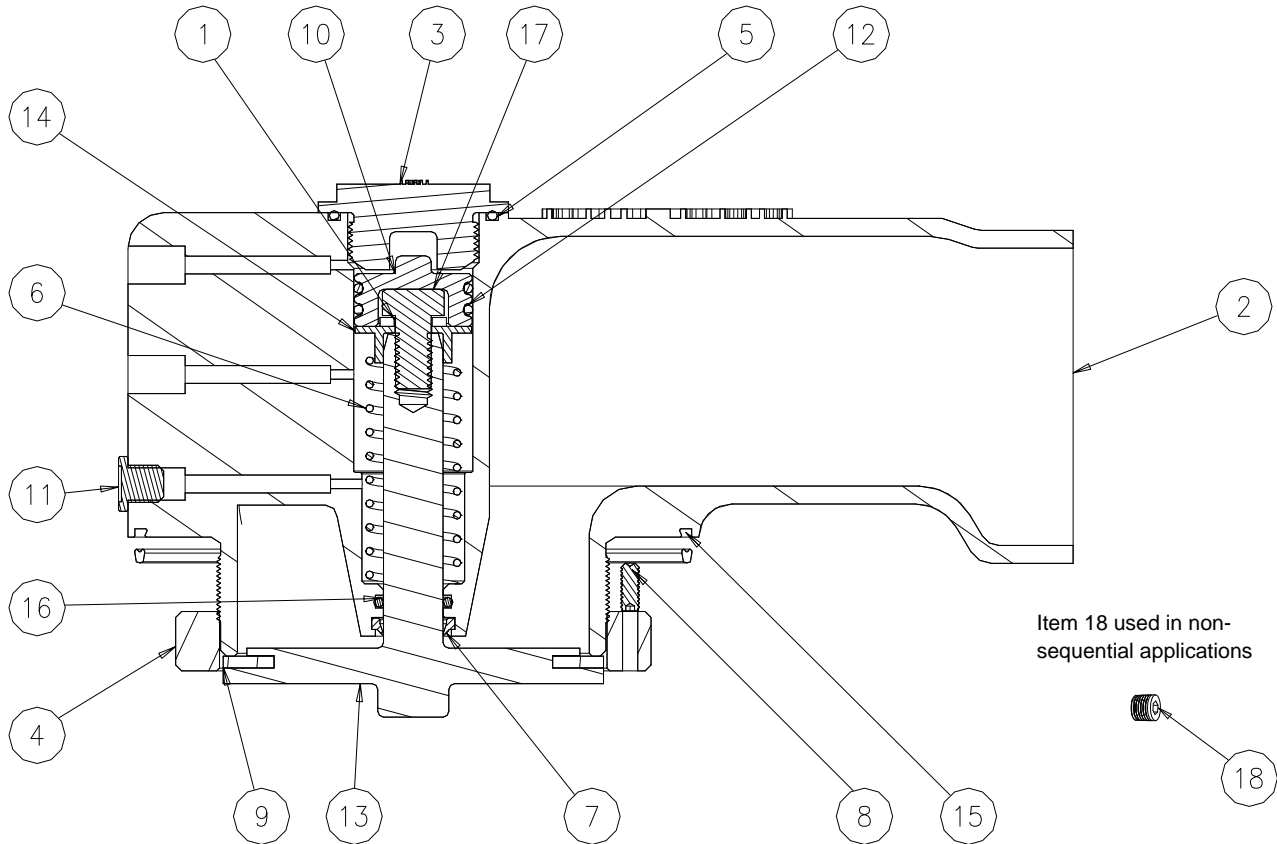




T195SV Vapor Recovery Vent

PARTS BREAK DOWN



ITEM	PART NUMBER	DESCRIPTION	QTY.
1	9990 ¹	WASHER LOCK 3/8 PLD SS	1
2	11669	BODY MACHINED	1
3	11672	CAP	1
4	11678	LOCKING RING	1
5	11692 ¹	O-RING 2-129 VITON GF	1
6	11694	SPRING	1
7	11696 ¹	WIPER	1
8	11697	SET SCREW 10-24 x 1/2 LG	1
9	11699 ¹	GASKET	1
10	11772	PISTON ¹	2
11	11775	FTG EXHAUST VENT	1

ITEM	PART NUMBER	DESCRIPTION	QTY.
12	11776 ¹	O-RING 2-121	2
13	11985	POPPET MACHINED	1
14	11990 ¹	SPRING GUIDE	1
15	12174 ¹	O-RING	1
16	10681M ¹	O-RING, VITON GF	1
17	H20518M	SCRW HHC 3/8-16x3/4 LG SS	1
18	H52199M	PIPE PLUG 1/8 NPT STEEL	1

REPAIR KITS	
T195SVRK	REPAIR KIT FOR T195SV

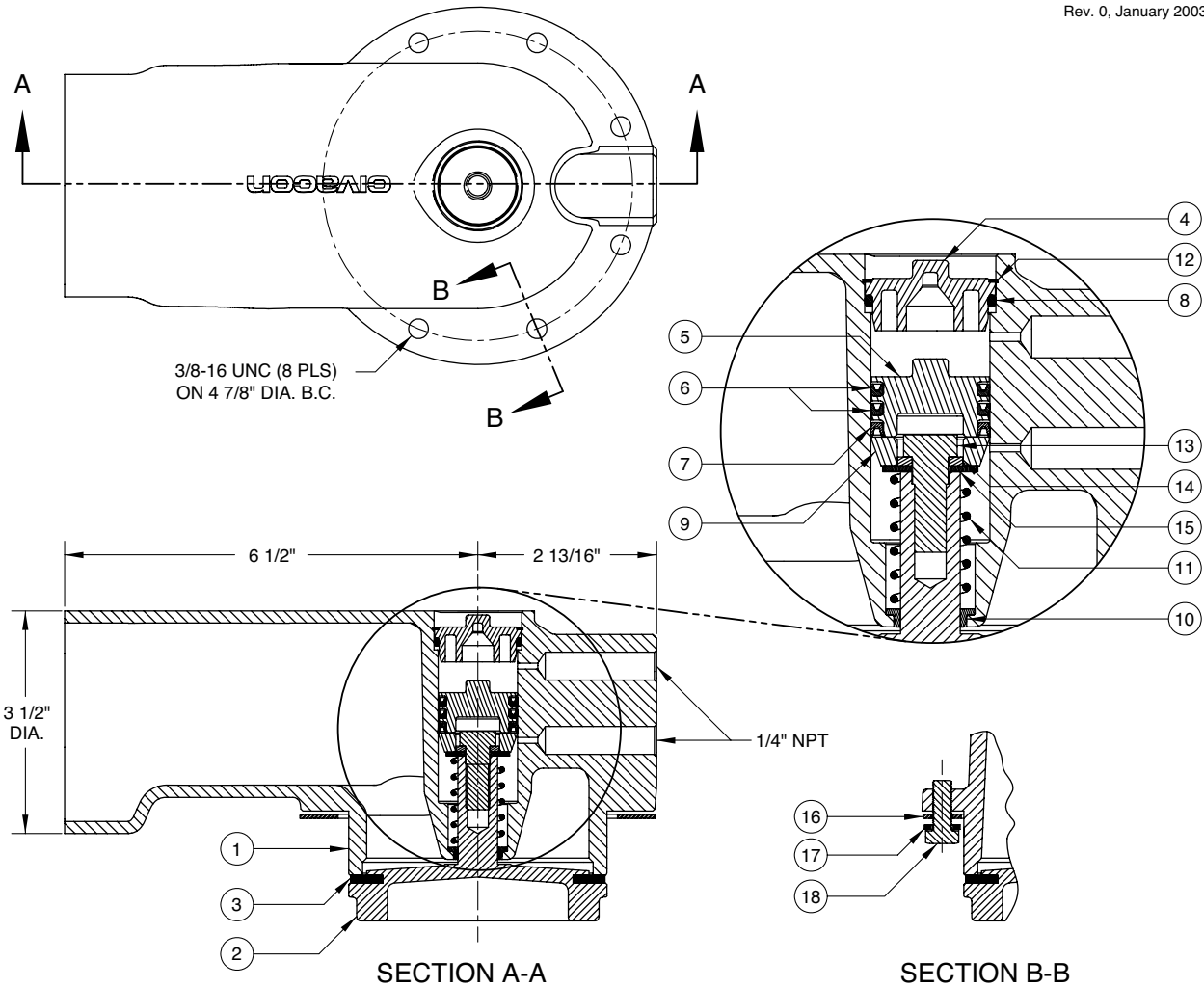
1 - Included in T195SVRK



1985SV 3" Sequential Vapor Vent

Replacement Parts

Rev. 0, January 2003



ITEM	PART NUMBER	DESCRIPTION	QTY.
1	E52313A	BODY	1
2	C10010A	POPPET	1
3	H20750M	SEAT DISC (VITON) ¹	1
4	H20516M	PLUG ¹	1
5	11772	PISTON ¹	1
6	H20639M	SEAL (BUNA U-CUP) ¹	2
7	H20206M	SEAL RING (TEFLON)	1
8	H20249M	O-RING (BUNA) ¹	1
9	H52172RP	DISC (ACETAL) ¹	1
10	H20517M	BEARING	1
11	H52179M	SPRING	1

ITEM	PART NUMBER	DESCRIPTION	QTY.
12	H20066M	RETAINING RING	1
13	H20070M	CAP SCREW	1
14	H04467M	WASHER (LOCKING)	1
15	H05487M	WASHER (FLAT)	1
16	C10011M	FLANGE GASKET	1
17	H20074M	SEAL WASHER	8
18	H20518M	CAP SCREW	8

REPAIR KITS		
PART NUMBER	DESCRIPTION	QTY.
1985SVRK	VENT REPAIR KIT	N/A

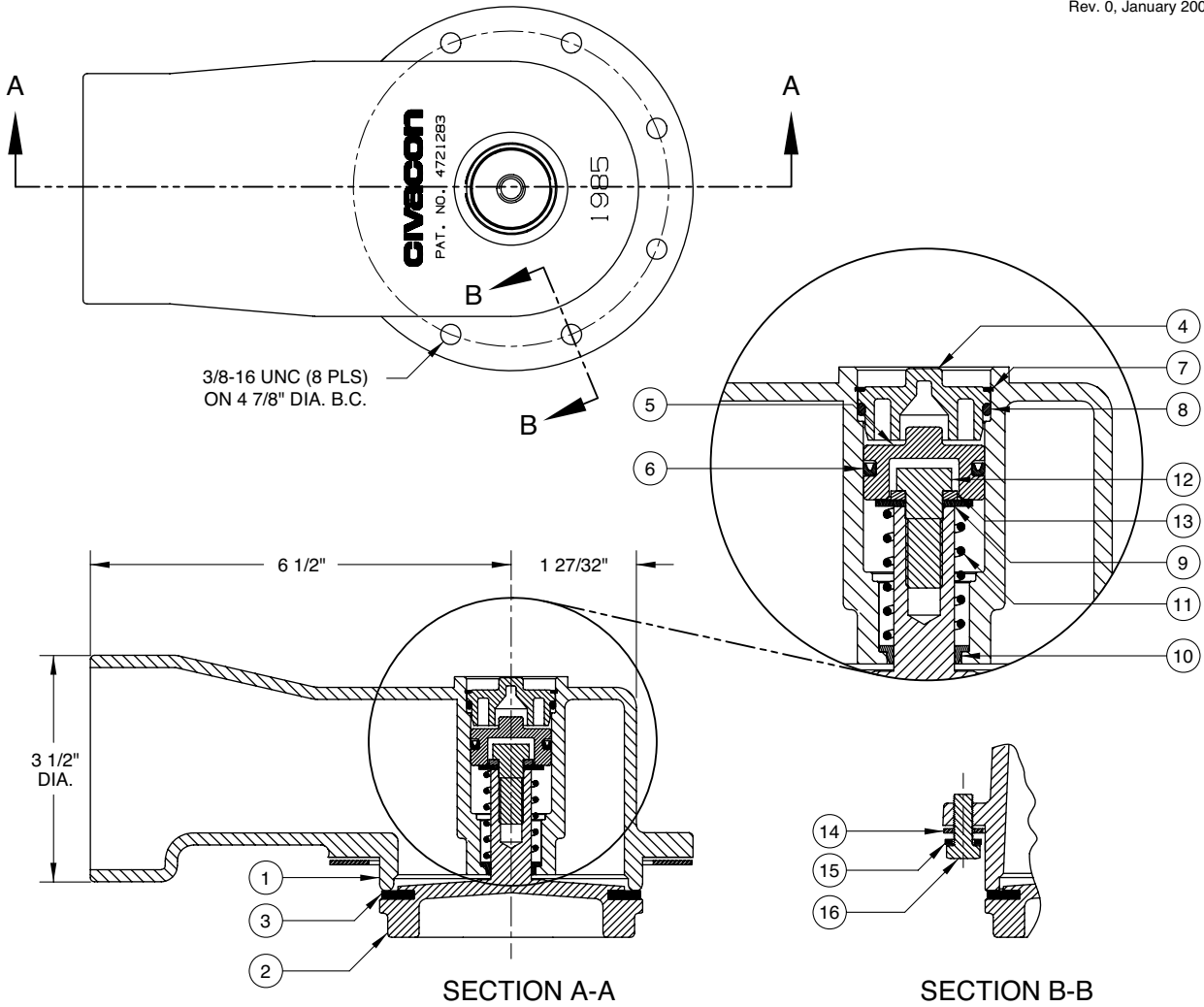
1 - Included in 1985SVRK



1985 3" Vapor Vent

Replacement Parts

Rev. 0, January 2003



ITEM	PART NUMBER	DESCRIPTION	QTY.
1	E10157A	BODY	1
2	C10010A	POPPET	1
3	H20750M	SEAT DISC (VITON) ¹	1
4	H20516M	PLUG ¹	1
5	11772	PISTON ¹	1
6	H20639M	SEAL (BUNA U-CUP) ¹	1
7	H20066M	RETAINING RING	1
8	H20249M	O-RING (BUNA) ¹	1
9	H05487M	WASHER (FLAT)	1
10	H20517M	BEARING	1

ITEM	PART NUMBER	DESCRIPTION	QTY.
11	H52179M	SPRING	1
12	H20070M	CAP SCREW	1
13	H04467M	WASHER (LOCKING)	1
14	C10011M	FLANGE GASKET	1
15	H20074M	SEAL WASHER	8
16	H20518M	CAP SCREW	8

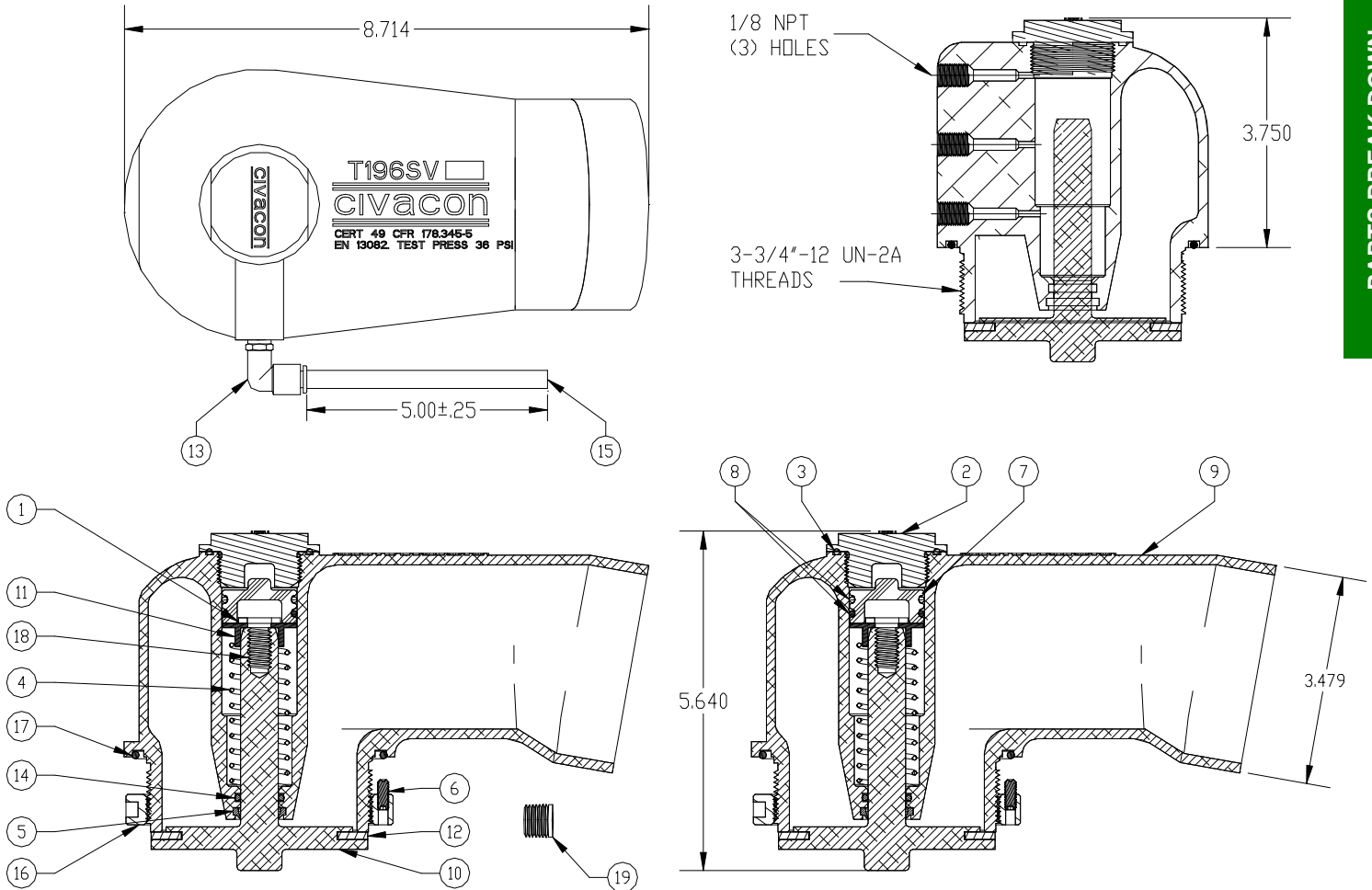
REPAIR KITS		
PART NUMBER	DESCRIPTION	QTY.
1985RK	VENT REPAIR KIT	N/A

1 - Included in 1985RK



T196SV Vapor Recovery Vent

PARTS BREAK DOWN



ITEM 19 USED IN
NON-SEQUENTIAL APPLICATIONS

ITEM	PART NUMBER	DESCRIPTION	QTY.
1	9990 ¹	WASHER LOCK 3/8 PLD SS	1
2	11672	CAP	1
3	11692 ¹	O-RING 2-129 VITON GF	1
4	11694	SPRING	1
5	11696 ¹	WIPER	1
6	11697	SET SCREW 10-24X1/2 LG	1
7	11772 ¹	PISTON	1
8	11776 ¹	O-RING 2-121	2
9	11964	BODY MACHINED	1
10	11986	POPPET MACHINED	1
11	11990 ¹	SPRING GUIDE	1

ITEM	PART NUMBER	DESCRIPTION	QTY.
12	12007 ¹	GASKET VITON GF	1
13	12262 ¹	AIR FITTING	1
14	10681M ¹	O-RING, VITON GF	1
15	12001BK ¹	TUBING, BLACK	5.00"
16	H20083M	RING LOCKING	1
17	H20124M ¹	O-RING	1
18	H20518M	SCRW HHC 3/8-16X3/4 LG SS	1
19	H52199M	PLUG, 1/8" NPT	1

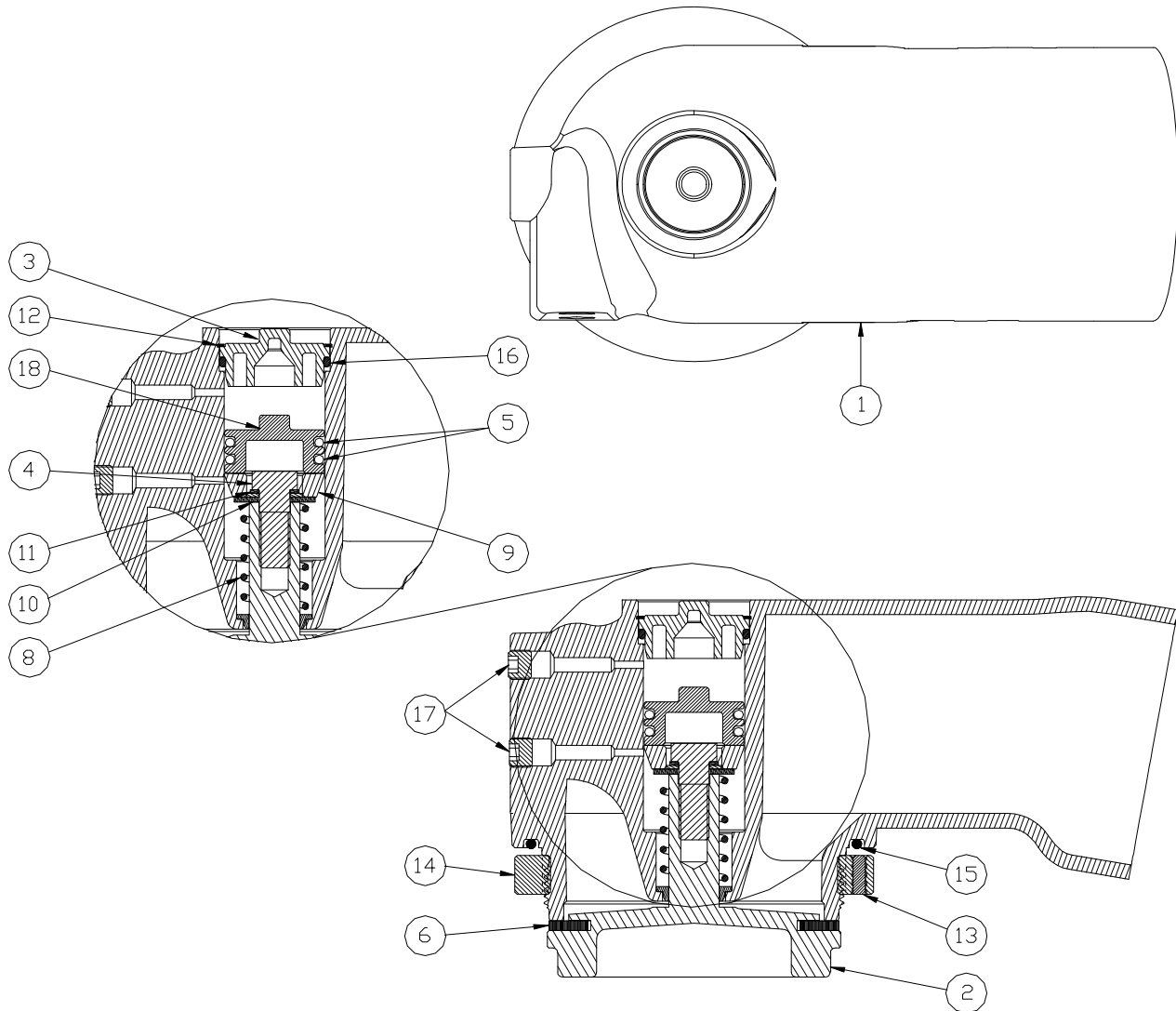
REPAIR KITS	
T196SVRK	REPAIR KIT FOR T196SV

1 - Included in T196SVRK



1986SV 3" Sequential Vapor Vent

PARTS BREAK DOWN



ITEM	PART NUMBER	DESCRIPTION	QTY.
1	E52162A	MACHINED BODY	1
2	C10045A	MACHINED POPPET	1
3	H20516M ¹	PLUG, DELRIN	1
4	H20070M	SCREW, 3/8-24 X 1 SS	1
5	11776 ¹	O-RING, FLOUROSILICONE	2
6	H20749M ¹	GASKET, VITON	1
7	H52172RP ¹	DISC, ACETAL	1
8	H52179M	SPRING	1
9	H20517M	BEARING, DELRIN	1
10	H05487M	WASHER	1
11	H04467M	LOCK WASHER	1

ITEM	PART NUMBER	DESCRIPTION	QTY.
12	H20066M ¹	RETAINING RING	1
13	H20123M	SET SCREW	1
14	H20083M	LOCKING RING	1
15	H20124M	O-RING, VITON	1
16	H20249M ¹	O-RING, BUNA-N	1
17	H52199M	PLUG, 1/8 NPT	2
18	11772 ¹	PISTON	1

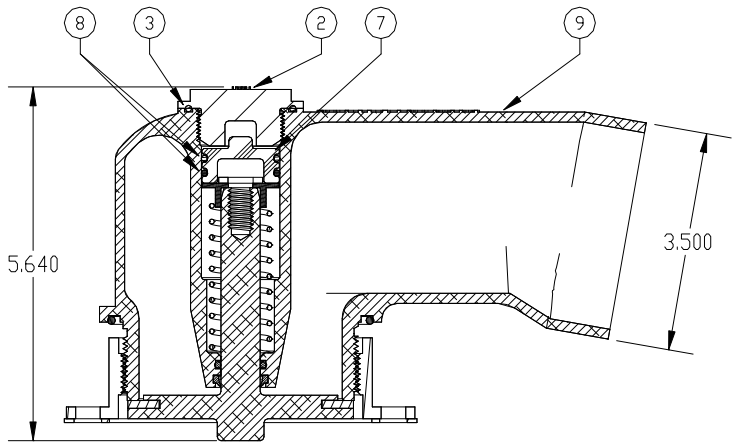
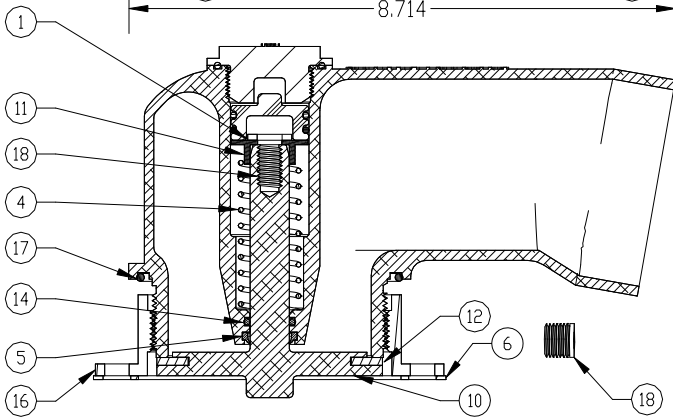
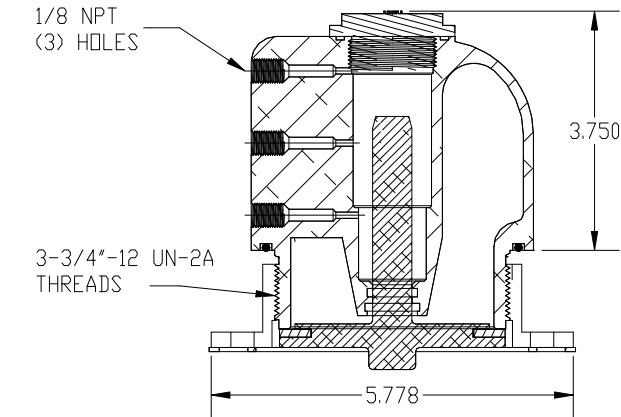
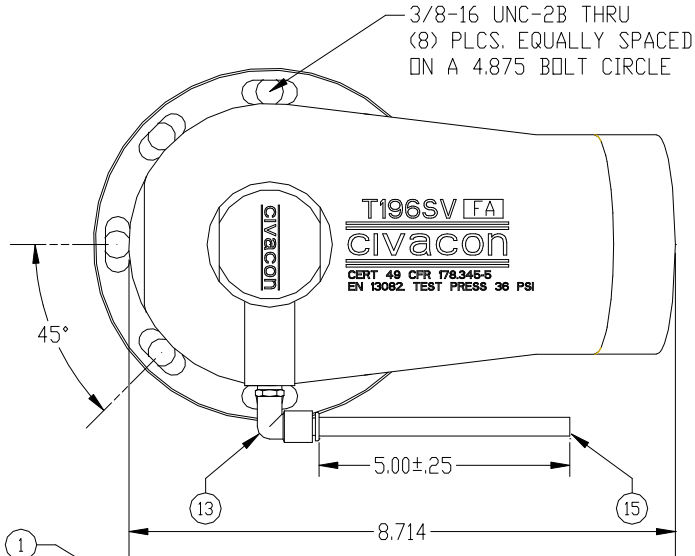
REPAIR KITS	
1986SVRK	VENT REPAIR KIT

¹Included in 1986SVRK



T196SV-FA Vapor Recovery Vent

PARTS BREAK DOWN



ITEM 18 USED IN NON-SEQUENTIAL APPLICATIONS

ITEM	PART NUMBER	DESCRIPTION	QTY.
1	9990 ¹	WASHER LOCK 3/8 PLD SS	1
2	11672	CAP	1
3	11692 ¹	O-RING 2-129 VITON GF	1
4	11694	SPRING	1
5	11696 ¹	WIPER	1
6	C10011M	GASKET	1
7	11772 ¹	PISTON	1
8	11776 ¹	O-RING 2-121	2
9	11964	BODY MACHINED	1
10	11986	POPPET MACHINED	1
11	11990 ¹	SPRING GUIDE	1

ITEM	PART NUMBER	DESCRIPTION	QTY.
12	12007 ¹	GASKET VITON GF	1
13	12262 ¹	AIR FITTING	1
14	10681M ¹	O-RING, VITON GF	1
15	12001BK ¹	TUBING, BLACK	5.00"
16	12160	ADAPTOR FLANGE	1
17	H20124M ¹	O-RING	1
18	H20518M	SCRW HHC 3/8-16X3/4 LG SS	1
19	H52199M	PLUG, 1/8" NPT	1

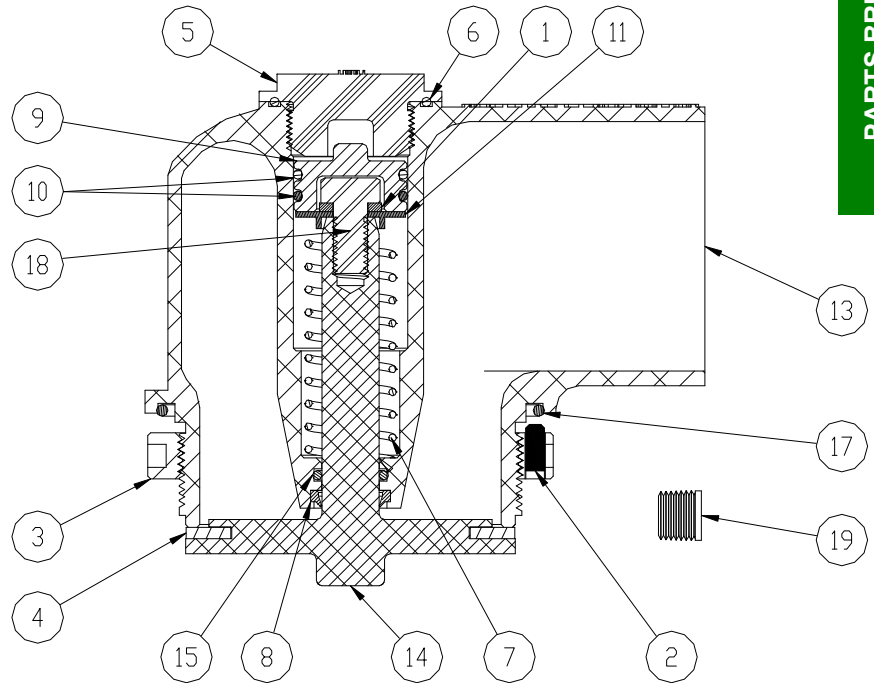
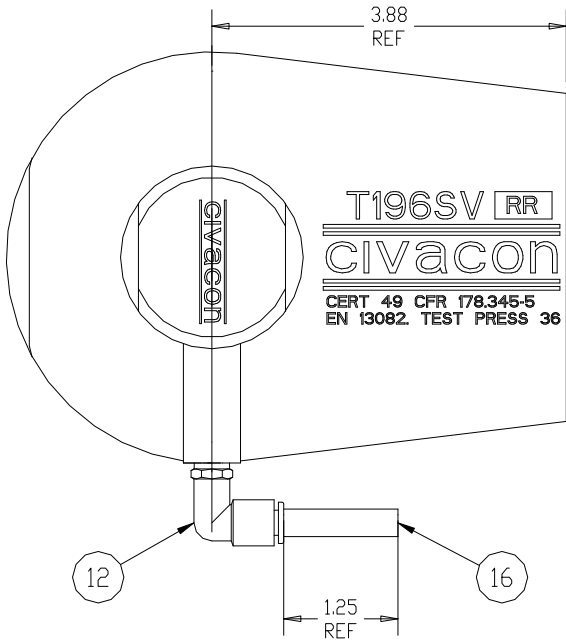
REPAIR KITS	
T196SVRK	REPAIR KIT FOR T196SV

1 - Included in T196SVRK



T196RR Vapor Recovery Vent

PARTS BREAK DOWN



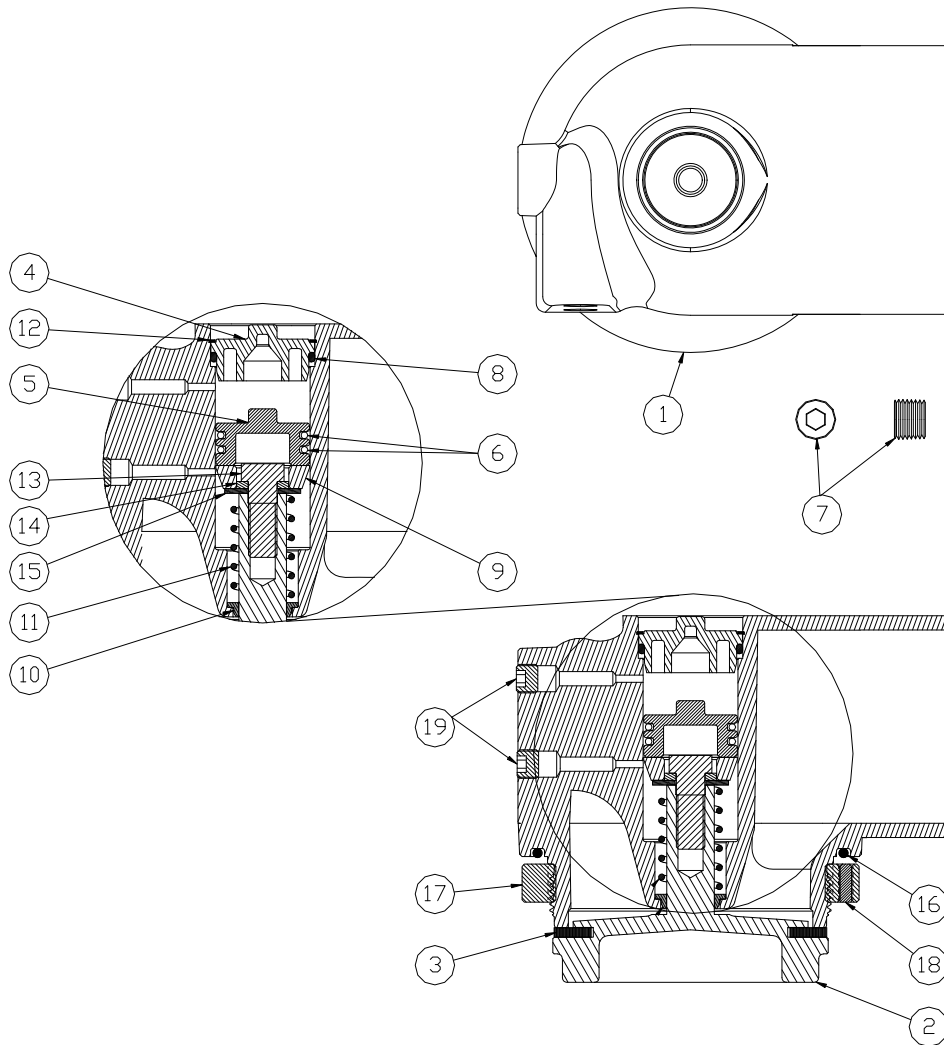
ITEM	PART NUMBER	DESCRIPTION	QTY.
1	1760	LOCK WASHER, 3/8 PLD	1
2	5008	SET SCREW	1
3	5660	LOCKING RING	1
4	11349	GASKET, VITON	1
5	11672	CAP	1
6	11692	O-RING, VITON GF	1
7	11694	SPRING	1
8	11696	WIPER SEAL	1
9	11772	PISTON	1
10	11776	O-RING, FLOUROSILICONE	2
11	11990	GUIDE SPRING	1

ITEM	PART NUMBER	DESCRIPTION	QTY.
12	12066	AIR FITTING	1
13	12086	BODY, MACHINED	1
14	12201	POPPET, MACHINED	1
15	10681M	O-RING, VITON GF	1
16	12001BK	TUBING, 1/4"	1.25"
17	H20124M	O-RING, VITON	1
18	H20518M	SCREW, 3/8-16 x 3/4	1
19	H52199M	PIPE PLUG, 1/8 NPT	1



1986RR 3" Sequential Vapor Vent

PARTS BREAK DOWN



ITEM	PART NUMBER	DESCRIPTION	QTY.
1	11333	MACHINED BODY	1
2	11348	MACHINED POPPET	1
3	11349	GASKET, VITON	1
4	H20516M	PLUG, DELRIN	1
5	11772	PISTON	1
6	11776	O-RING, FLOUROSILICONE	2
7	H52199M	PLUG, 1/8 NPT	2
8	H20249M	O-RING, BUNA-N	1
9	H52172RP	DISC, ACETAL	1
10	H52179M	SPRING	1
11	H20517M	BEARING, DELRIN	1

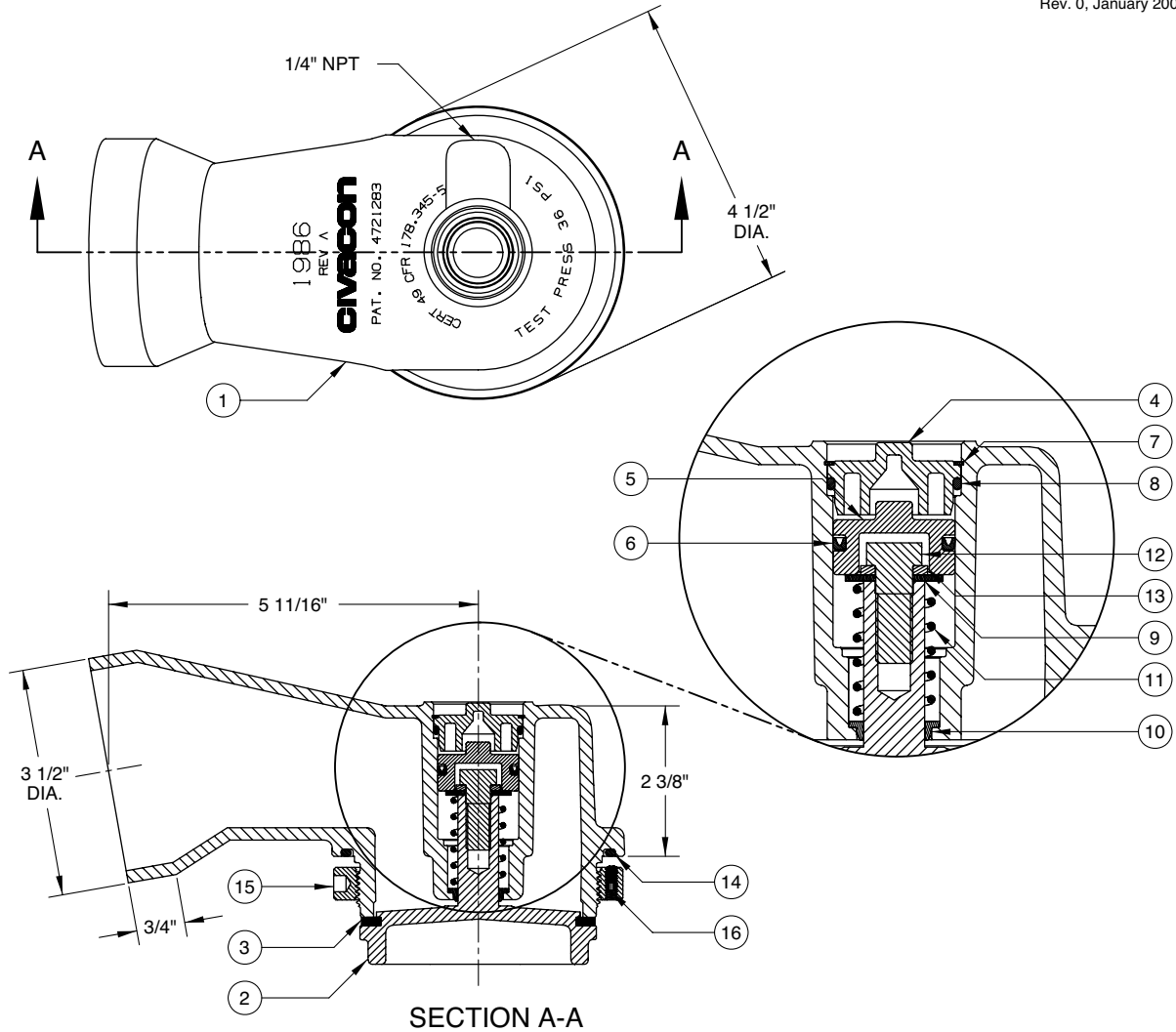
ITEM	PART NUMBER	DESCRIPTION	QTY.
12	H20066M	RETAINING RING	1
13	H20070M	SCREW, 3/8-24 X 1 SS	1
14	H04467M	LOCK WASHER	1
15	H05487M	WASHER	1
16	H20124M	O-RING, VITON	1
17	5660	LOCKING RING	1
18	5008	SET SCREW	1
19	10068	PLUG, 1/4 NPT	2



1986 3" Vapor Vent

Replacement Parts

Rev. 0, January 2003



ITEM	PART NUMBER	DESCRIPTION	QTY.
1	E10162A	BODY	1
2	C10045A	POPPE	1
3	H20749M	SEAT DISC (VITON) ¹	1
4	H20516M	PLUG ¹	1
5	11772	PISTON ¹	1
6	H20639M	SEAL (BUNA U-CUP) ¹	1
7	H20066M	RETAINING RING	1
8	H20249M	O-RING (BUNA) ¹	1
9	H05487M	WASHER (FLAT)	1
10	H20517M	BEARING	1

ITEM	PART NUMBER	DESCRIPTION	QTY.
11	H52179M	SPRING	1
12	H20070M	CAP SCREW	1
13	H04467M	WASHER (LOCKING)	1
14	H20124M	O-RING (VITON)	1
15	H20083M	LOCKING RING	1
16	H20123M	SET SCREW	1

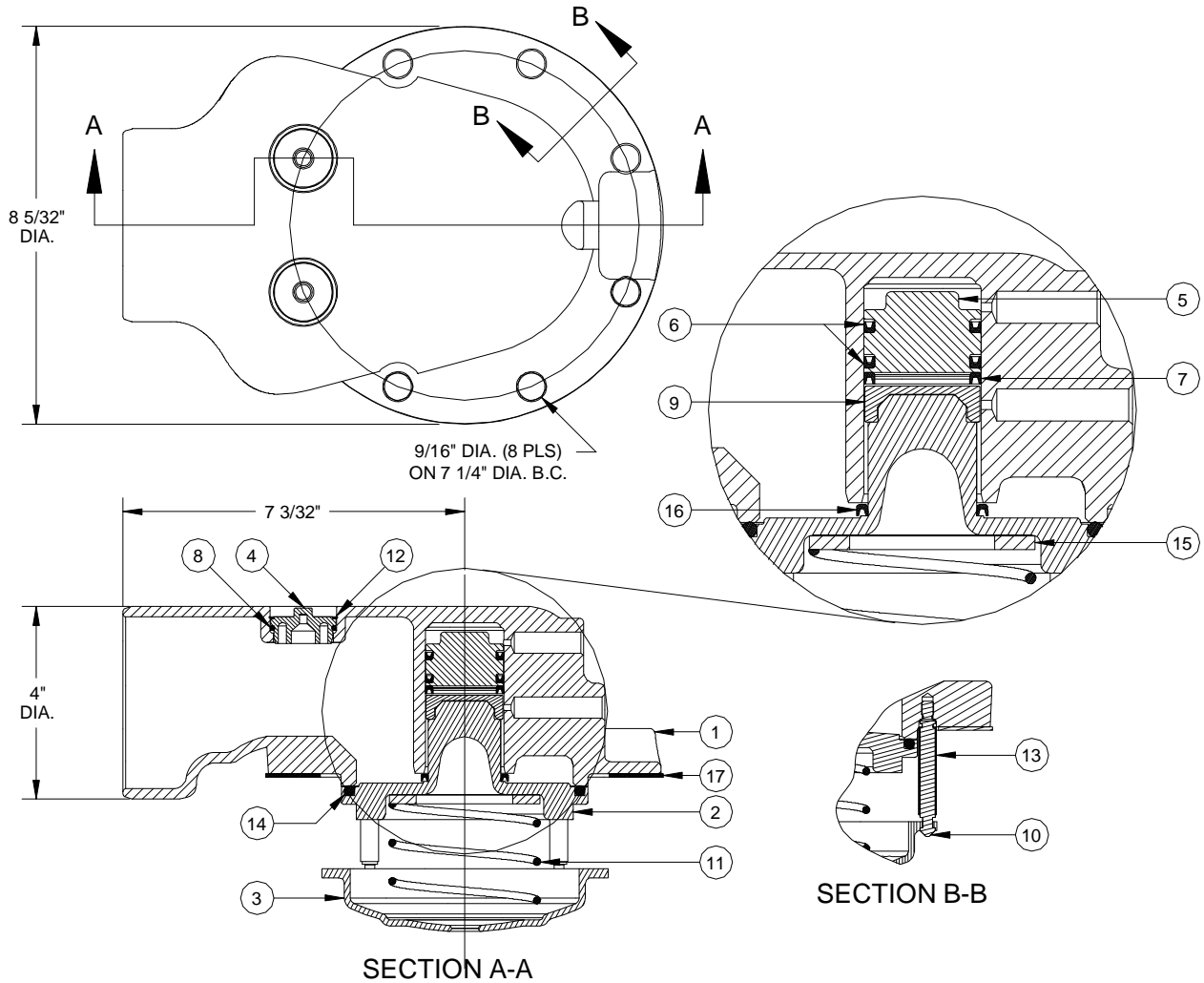
REPAIR KITS		
PART NUMBER	DESCRIPTION	QTY.
1986RK	VENT REPAIR KIT	N/A

1 - Included in 1986RK



1998 4" Sequential Vapor Vent

PARTS BREAK DOWN



ITEM	PART NUMBER	DESCRIPTION	QTY.
1	E51630A	BODY	1
2	E51633A	POPPET	1
3	D51637A	DEFLECTOR	1
4	H20516M	PLUG	2
5	D51631RP	PISTON	1
6	H51624M ¹	SEAL, BUNA-N U-CUP	2
7	H51625M ¹	SEAL RING, TEFLON	1
8	H20249M ¹	O-RING, BUNA-N	2
9	H51734RP	ACETAL DISC	1
10	C51632RE	GUIDE ROD	4
11	H51628M	SPRING	1

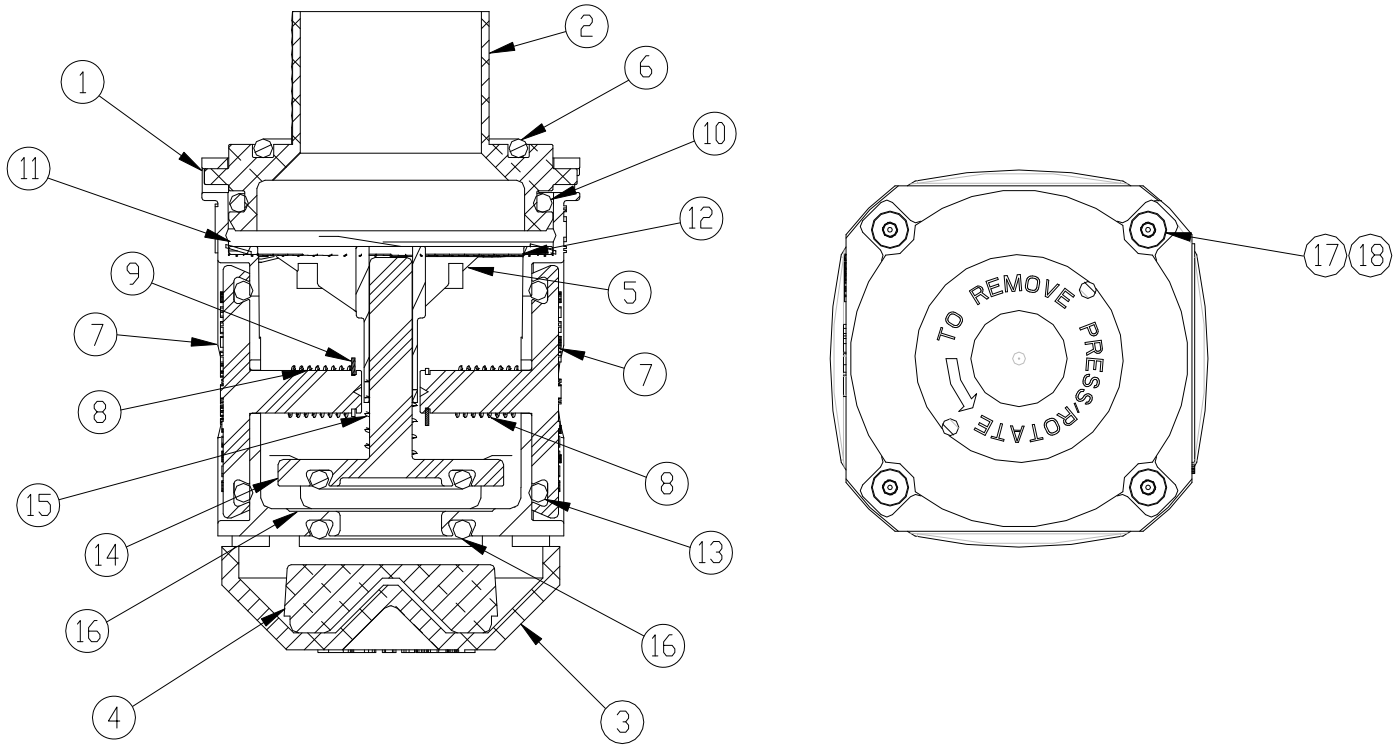
ITEM	PART NUMBER	DESCRIPTION	QTY.
12	H20066M	RETAINING RING	2
13	H51693RP	TUBE, TEFLON	4
14	H51810M ¹	O-RING, VITON	1
15	9921	SPACER	1
16	9923 ¹	SEAL, BUNA-N U-CUP	1
17	H20572M ¹	GASKET, CORK/BUNA	1

REPAIR KITS	
1998RK	VAPOR VENT REPAIR KIT
9182	FLANGE ADAPTOR KIT (1993 VENT)

1 - Included in 1998RK



NV3000 Pressure Vacuum Vent



ITEM	PART NUMBER	DESCRIPTION	QTY.
1	H71323	BODY, MACHINED	1
2	H71322	TOP ENCLOSURE	1
3	H71321	HOUSING SHUTOFF	1
4	6461	DISK SHUTOFF	1
5	H71325	POPPET GUIDE	1
6	6479	O-RING	1
7	H71327	VACUUM POPPET	2
8	H71328	VACUUM SPRING	2
9	H71329	RETAINING CLIP	2

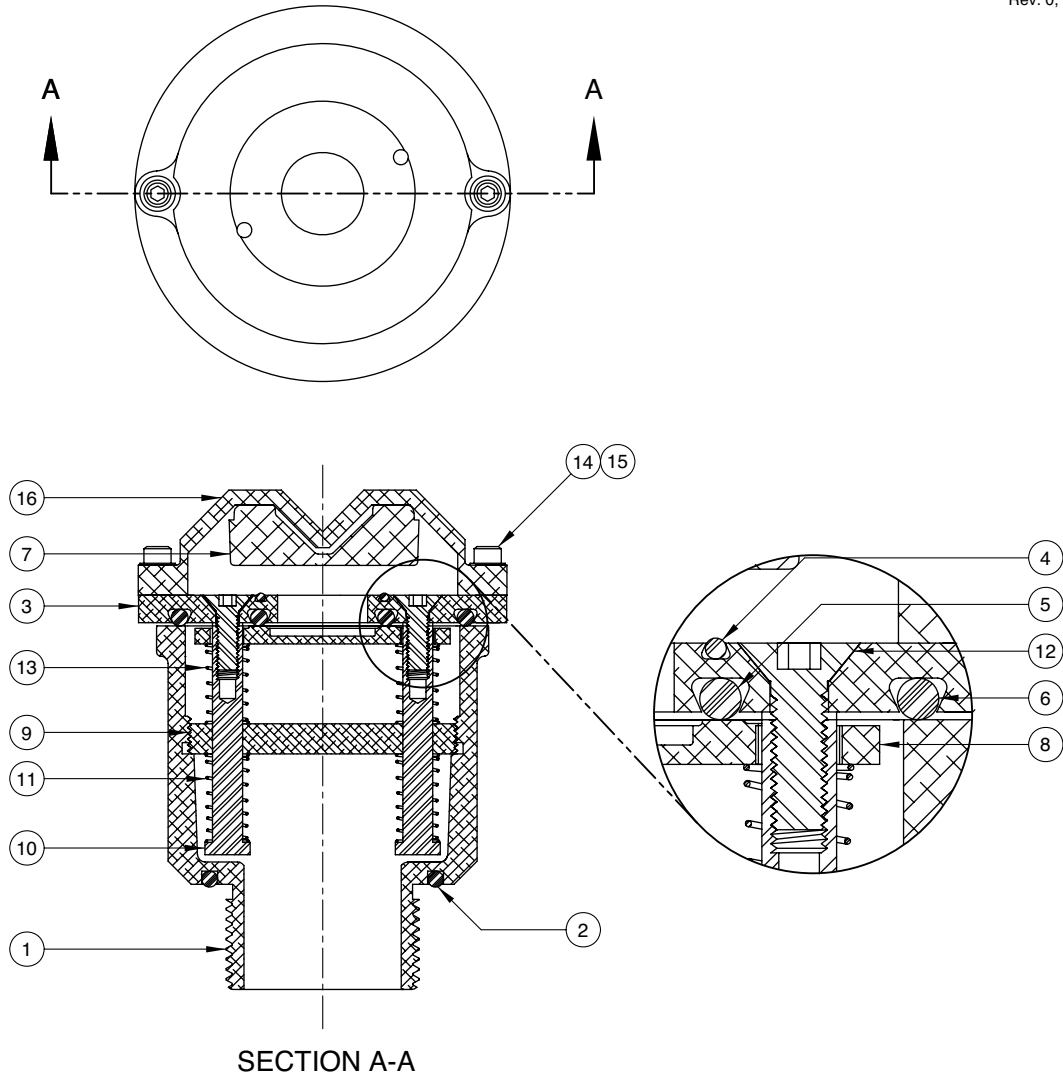
ITEM	PART NUMBER	DESCRIPTION	QTY.
10	H71335	O-RING	1
11	H71324	FLAME ARRESTOR	1
12	11745	WAVE SPRING	1
13	11943	O-RING	2
14	H71326	PRESSURE POPPET	1
15	H71330	PRESSURE SPRING	1
16	9428	O-RING	2
17	H71401	SCREW	4
18	11851	LOCK WASHER	4



NV2001 Pressure Vacuum Vent

Replacement Parts

Rev. 0, January 2003



ITEM	PART NUMBER	DESCRIPTION	QTY.
1	6470	BODY	1
2	6479	O-RING (BUNA) ¹	1
3	6471	VACUUM DISC	1
4	9427	O-RING (VITON)	1
5	9428	O-RING (VITON)	1
6	9429	O-RING (VITON)	1
7	6461	VALVE SHUTOFF	1
8	6478	PRESSURE DISC	1

ITEM	PART NUMBER	DESCRIPTION	QTY.
9	6474	RETAINER	1
10	6464	STUD	2
11	6466	VACUUM SPRING	2
12	7040	SCREW (FLAT HEAD)	2
13	9717	PRESSURE SPRING	2
14	9718	SCREW (SOCKET HEAD)	2
15	9719	LOCK WASHER	2
16	9892	CARRIER	1

1 - Also available in Viton - P/N 4324