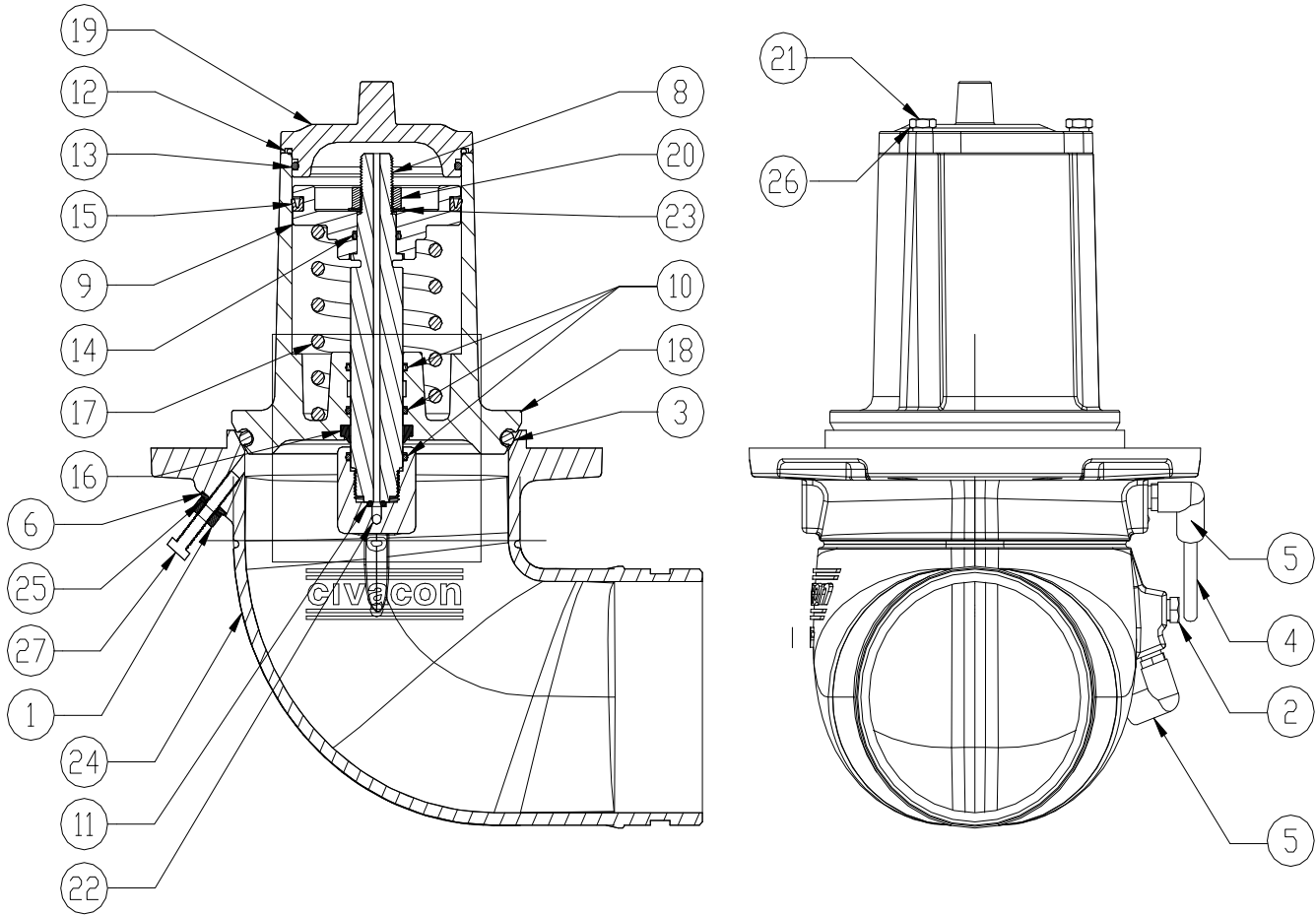




VA5182 5"x4" MaxAir II Emergency Valve

PARTS BREAK DOWN



ITEM	PART NUMBER	DESCRIPTION	QTY.
1	1088	NUT, HEX, 1/4-20, SS	1
2	5047	PLUG, FUSIBLE	1
3	6959	O-RING, TFE-O-SIL	1
4	9052	TUBING, AIR, 1/4"	1
5	9489	FITTING, AIR 90°	2
6	10344	WASHER, 1/4"	1
7	12080	PLUG, 3/8" (NOT SHOWN)	1
8	12296	PISTON ROD	1
9	12407	PISTON	1
10	12299	O-RING, VITON GFLT	3
11	12300	O-RING, VITON	1
12	12470	O-RING, VITON	1
13	12471	O-RING, BUNA-N	1
14	12303	O-RING, BUNA-N	1

ITEM	PART NUMBER	DESCRIPTION	QTY.
15	12469	U-CUP, POLYURETHANE	1
16	12305	SEAL, WIPER, VITON	1
17	12306	SPRING	1
18	12404	POPPET, MACHINED	1
19	12406	CAP, MACHINED	1
20	12321	NUT, HEX, 5/8-16, SS	1
21	12525	SCREW, 1/4-28 x 1-1/8" SS	3
22	12324	BALL PLUG, 3/16, SS	1
23	12378	LOCKWASHER	1
24	12307	BODY, MACHINED	1
25	H20312M	WASHER, SS	1
26	H50086M	LOCK WASHER, 1/4" SS	3
27	12322	SCREW, 1/4-20 x 1-5/8" SS	1