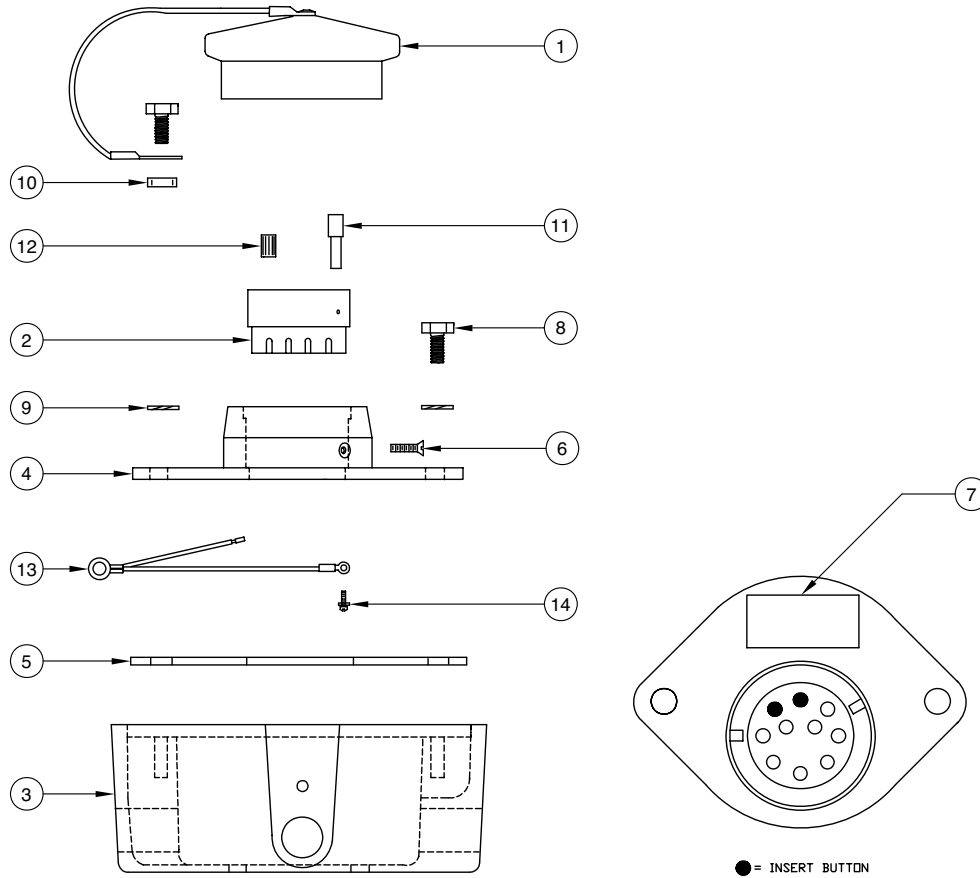




Model #4401 Socket API pattern for thermistor output

Replacement Parts

Rev. A, March 2006



ITEM	PART NUMBER	DESCRIPTION	QTY.
1	4450	DUST CAP (SOCKET ASSY, GREEN)	1
2	C40011M	BLOCK (CONTACT, SOCKET, 10 HOLE)	1
3	D40100A	BODY (SOCKET, MOLDED)	1
4	D40102AH	FACEPLATE (SOCKET, THERMISTOR)	1
5	H50064M	GASKET (SOCKET BODY, NEOPRENE)	1
6	H50074M	SCREW (#6-32 X 1/2, CRS FCS, S.S.)	1
7	H50136M	NAME PLATE (4400 API THERMISTOR SOCKET)	1
8	H50108M	SCREW (5/16-18 X 3/4 S.S.)	2
9	H50250M	WASHER (5/16 S.S.)	2
10	H50291M	SPACER (RND, S.S.)	1
11	H50616M	CONTACT (BUTTON, SOCKET)	8
12	H50617M	INSERT (BUTTON, SOCKET)	4
13	H50618M	ASSY. (WIRE, GROUND, SOCKET)	1
14	H50623M-2	SCREW (#6-32 X 3/8, CRS PAN, S.S.)	1
N/A	4411	FACE PLATE KIT (INCLUDES ALL ITEMS EXCEPT ITEM 3)	1