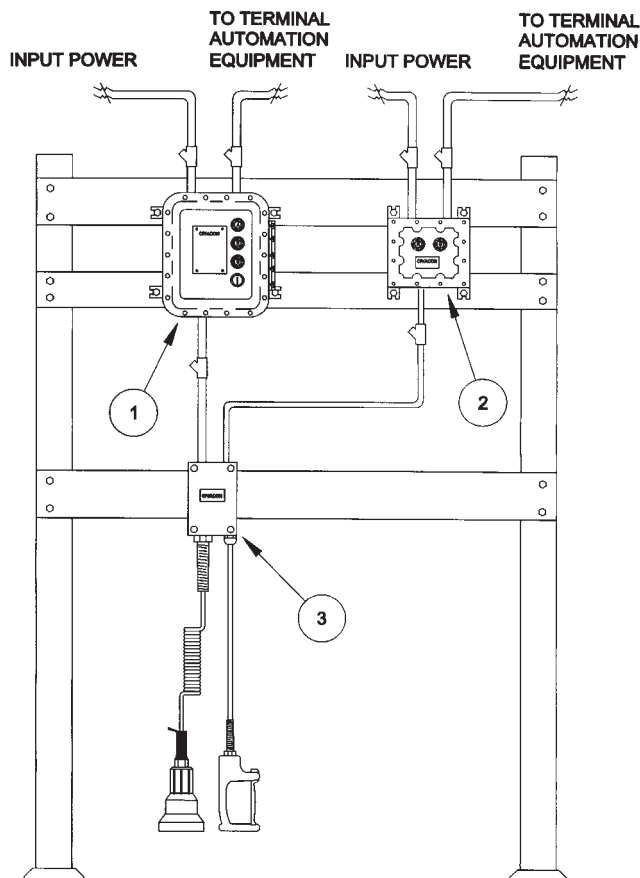


## **H5180009 OPTIC TRUCK OVERFILL DETECTION UNIT WITH SEPARATE GROUND VERIFICATION MONITOR AND DEADMAN SWITCH**

For Use with Multi Compartment Tank Trucks or Trailers

1. Civacon Model 8140 Optic Format Control Monitor:  
NEMA 7 Enclosure  
Keyed Bypass Switch  
Red and Green Status Lights  
Amber Light to Indicate Bypass
2. Civacon Model 8020 Ground Verification Monitor:  
NEMA 7 Enclosure  
Red and Green Indicator Lights
3. Civacon Model 7192S Plug & Cord and Junction Box  
with Deadman Switch:  
NEMA 4 Rated Junction Box with Terminal Strip  
30 Ft. High Visibility 10 Conductor Coiled Cord  
Light Weight Molded Optic Plug  
Aluminum Cast Deadman Switch with 25 Ft. Straight Cable



<b>CALL</b>	INQUIRIES SALES SERVICE	4304 Mattox Road • Kansas City, MO 64150 (888) 526-5657 • fax (888) 634-1433
	TECHNICAL SUPPORT	(800) 5-CIVACON • (800) 524-8226