



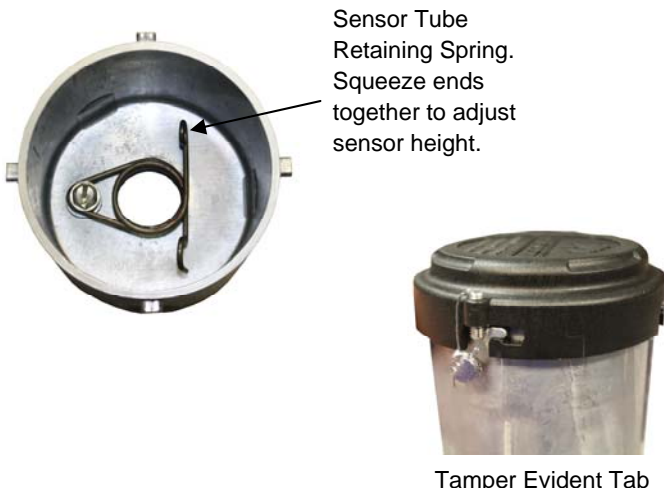
## 2-Wire ROM Overfill Sensor

DS 05-13C

### Civacon's 2-Wire ROM Overfill Sensors offer advanced digital technology and are designed to work with all Civacon ROM Systems.

Optic overfill sensors detect the presence of liquid at a preset level. The Civacon ROM red/black Sensor is fully compatible with all of our ROM monitors. The ROM Sensors feature an exclusive, *nonpolarized digital electronic circuitry design*. The sensor's non-polarized electronic design means **not having to worry** about the sensor's polarity anymore.

These features and benefits are also available in our 5-wire & 2-Wire Quick Start sensors.



### Overfill Features

- 2-Wire ROM Sensor will work with all ROM Systems
- New digital electronics with extended temperature-stabilized Potting
- Dual o-ring seals in housing for improved sensor shaft-to-housing Sealing
- Still the industries best *single flat surface* optic prism design!
- Completely new Housing and molded non-corrosive Cap design
- No tools required for access, or adjustment of probe
- Approved to North American, Europe (ATEX) and World (IECEX) Standards
- Operating Temperature -40° F (-40° C) to 160° F (71.1° C)
- Storage Temperature -70° F (-56.6°) to 280° F (137.7° C)
- OPTIONAL: Tamper Evident Tab on cap lets you add a seal to prevent sensor height tampering (sensor can not be adjusted)

# 2-Wire ROM Overfill Sensor

## Product Specifications

### Product Number

1351-007B, 0012B or 0018B (See Below)

1051-007B, 0012B or 0018B (See Below)

### Sensing Length Adjustability

See Drawing

### Product Range

Refractive Index 1.37 to 1.60

Viscosity of less that 1000 SSU

### Electrical Leads

Two 18 gauge Stranded Wire

26" Long (Red/Black in Color)

### Weight

1.15 lbs. (0.521 kg) (with housing)

### Temperature Range

Operating Temperature -40° F (-40° C) to 160° F (71.1° C)

Storage Temperature -70° F (-56.6°) to 280° F (137.7° C)

### Materials

Sensor Cap - Glass-Filled Nylon

Cap O-ring - Silicone

Sensor Housing - Aluminum

Mounting O-ring - Viton

Locking Nut - Plated Steel

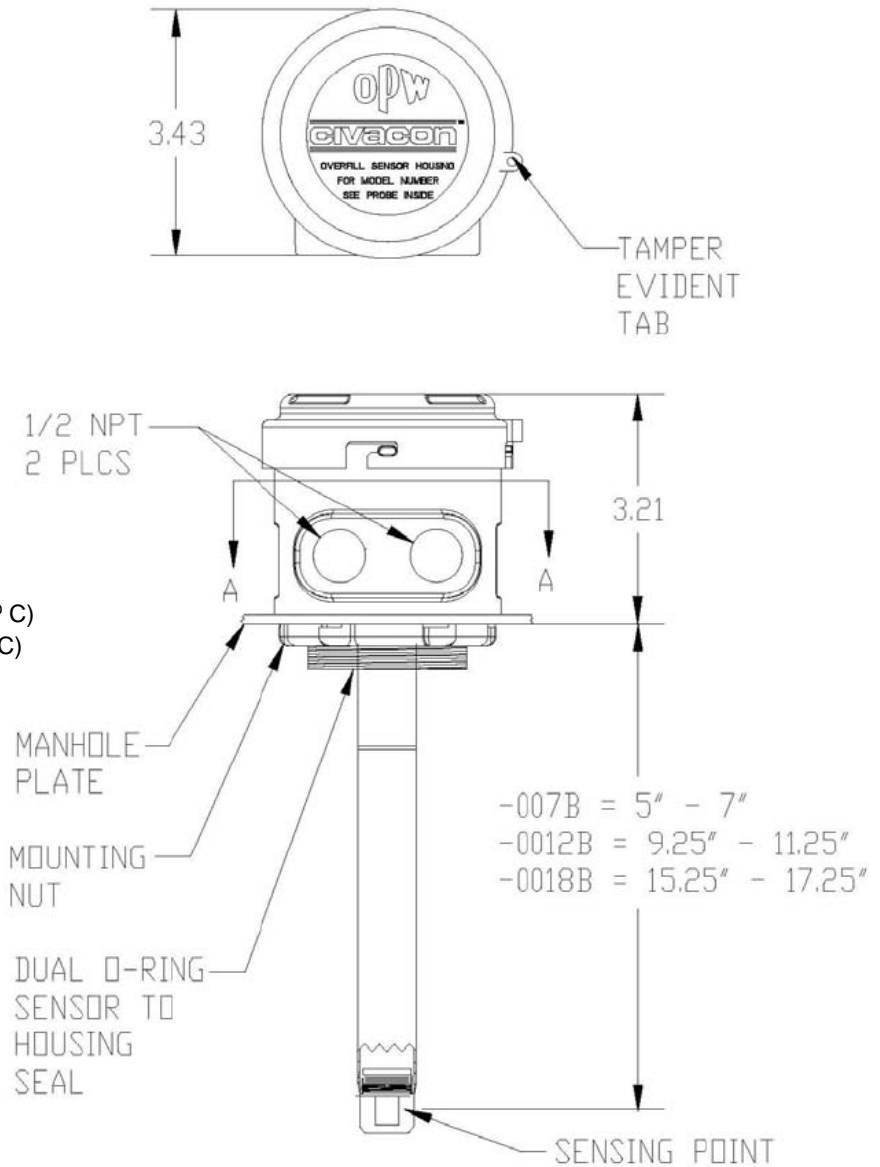
Sensor Shaft - Aluminum

### Approvals

North America

Europe (ATEX)

World (IECEX)



Part Number	Description
1051-007B	Optic QS Overfill Sensor, 2-Wire, 2" NPT Parallel Port Housing, 7"
1051-0012B	Optic QS Overfill Sensor, 2-Wire, 2" NPT Parallel Port Housing, 12"
1051-0018B	Optic QS Overfill Sensor, 2-Wire, 2" NPT Parallel Port Housing, 18"
1351-007B	Replacement Optic QS Overfill Sensor, 2-Wire, No Housing, 7"
1351-0012B	Replacement Optic QS Overfill Sensor, 2-Wire, No Housing, 12"
1351-0018B	Replacement Optic QS Overfill Sensor, 2-Wire, No Housing, 18"
1455-1455	2" NPT Parallel Port Housing w/ Cap
12214	Tamper Evident Tab Kit



PHONE: (816) 741-6600 • (888) 526-5657 • Fax: (816) 741-1061  
4304 Mattox Road • Kansas City, MO 64150 • [www.civacon.com](http://www.civacon.com)