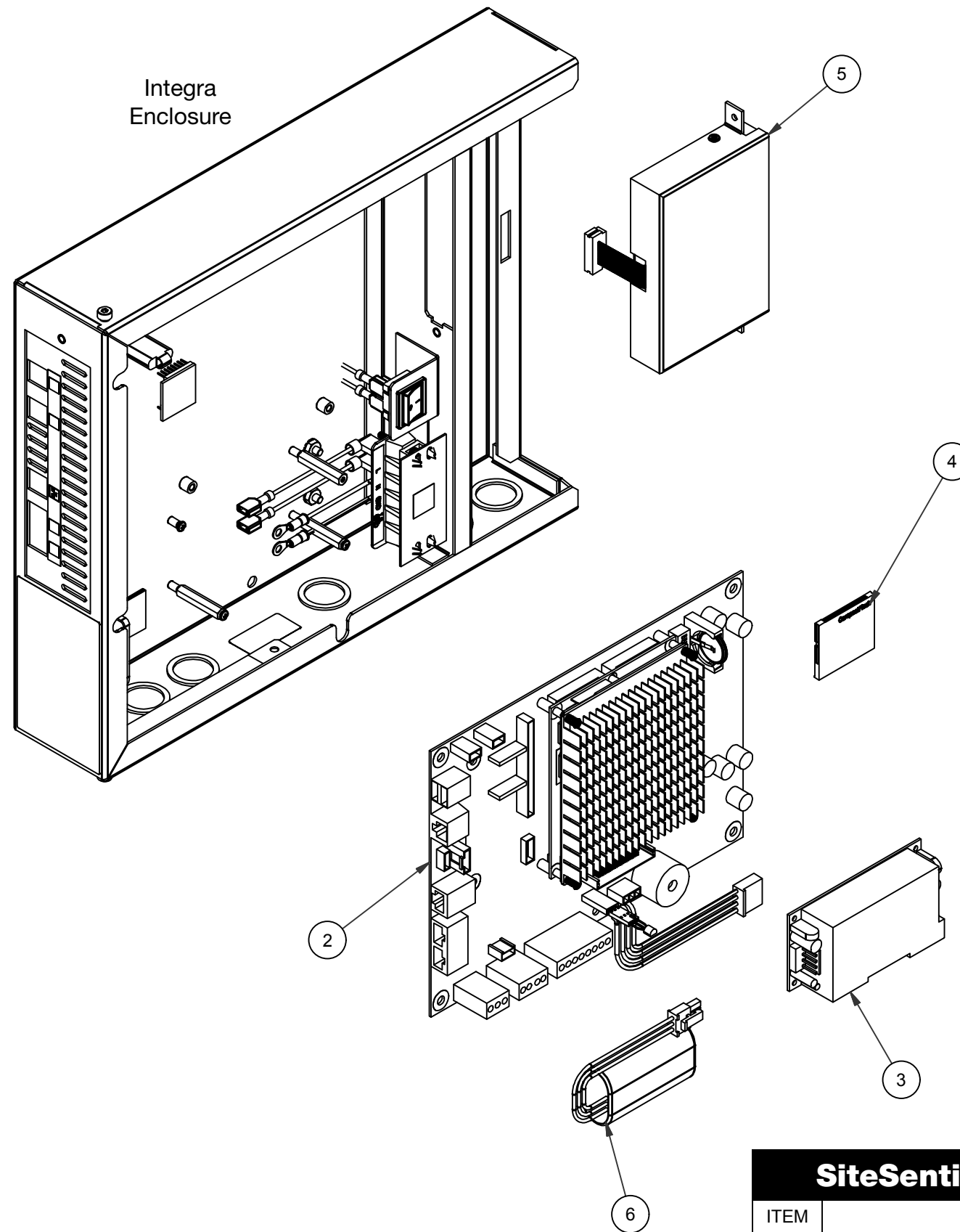
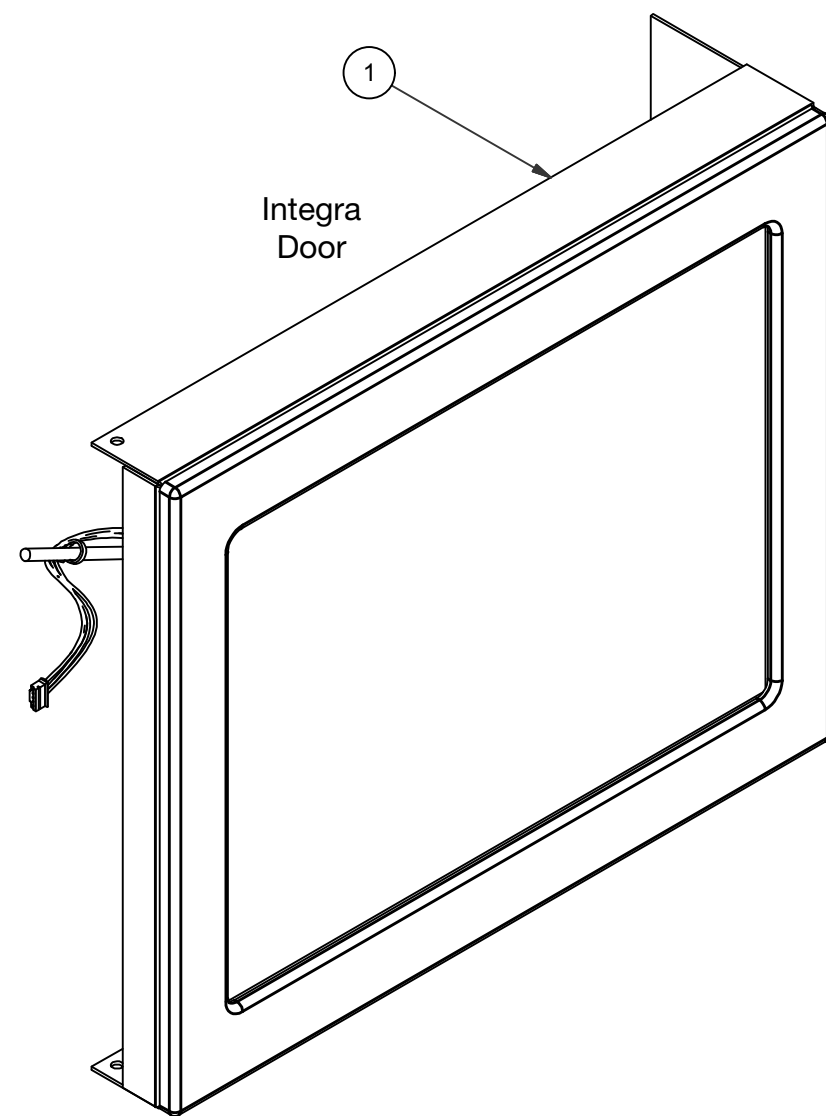


# SiteSentinel® Integra 500™



SiteSentinel® Integra 500™ Parts		
ITEM	DESCRIPTION	PART NUMBER
1	INTEGRA DOOR ASSY	20-8331-500-R
2	BOARD ASSEMBLY FOR INTEGRA	20-0613-R
3	24 V POWER SUPPLY	70-3013
4	COMPACT FLASH CARD	SO7301
5	IS MODULE 12V VSMART	20-4344
6	7.4V, 2400MAH	48-0210-R