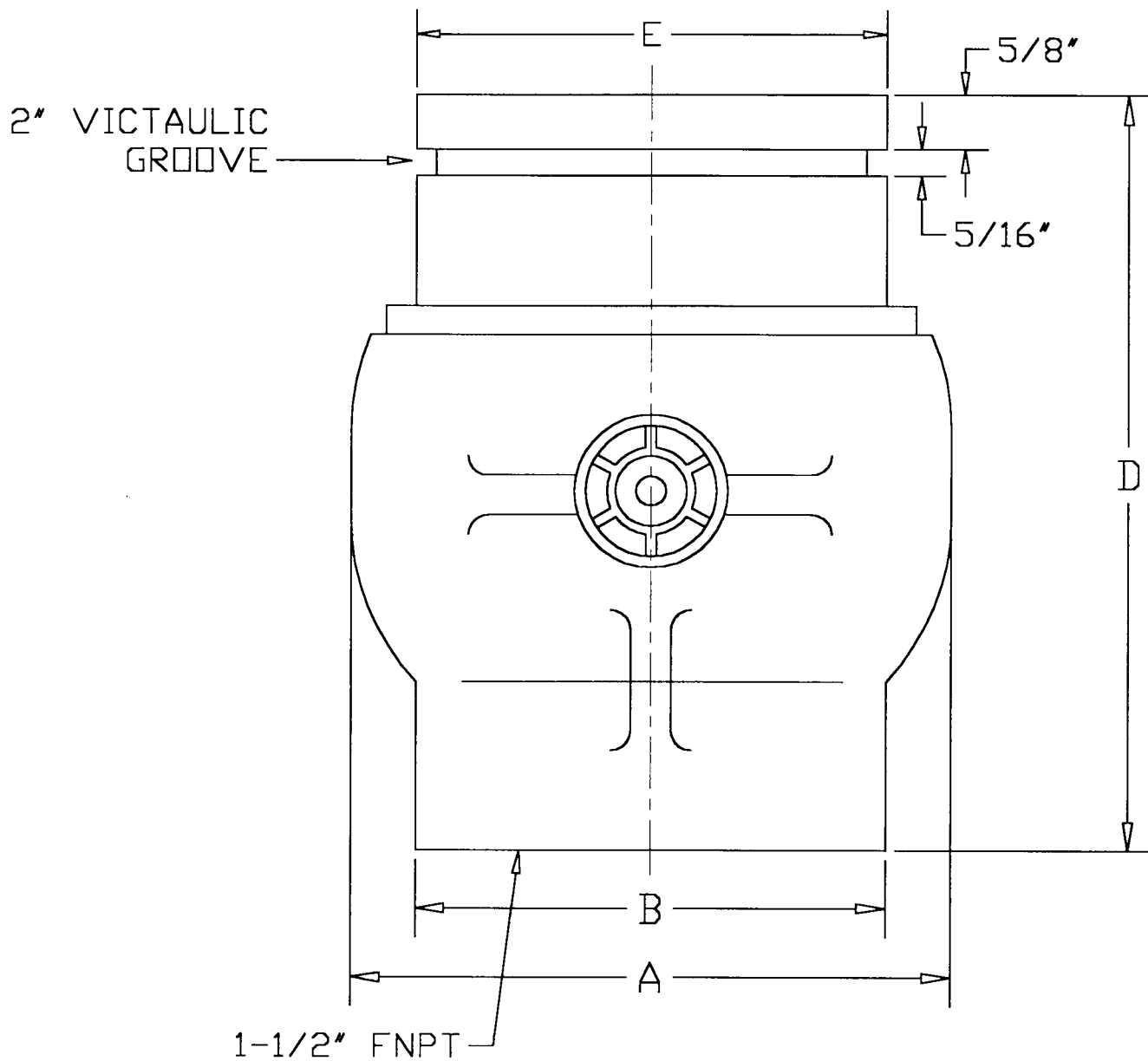


MATERIAL:
ALUMINUM

OPW Engineered Systems

STYLE 20VO SWIVEL JOINT-CAST -0151



SIZE	1-1/2" X 2"
A	2-15/16"
B	2-3/8"
D	5-11/16"
E	2-3/8"