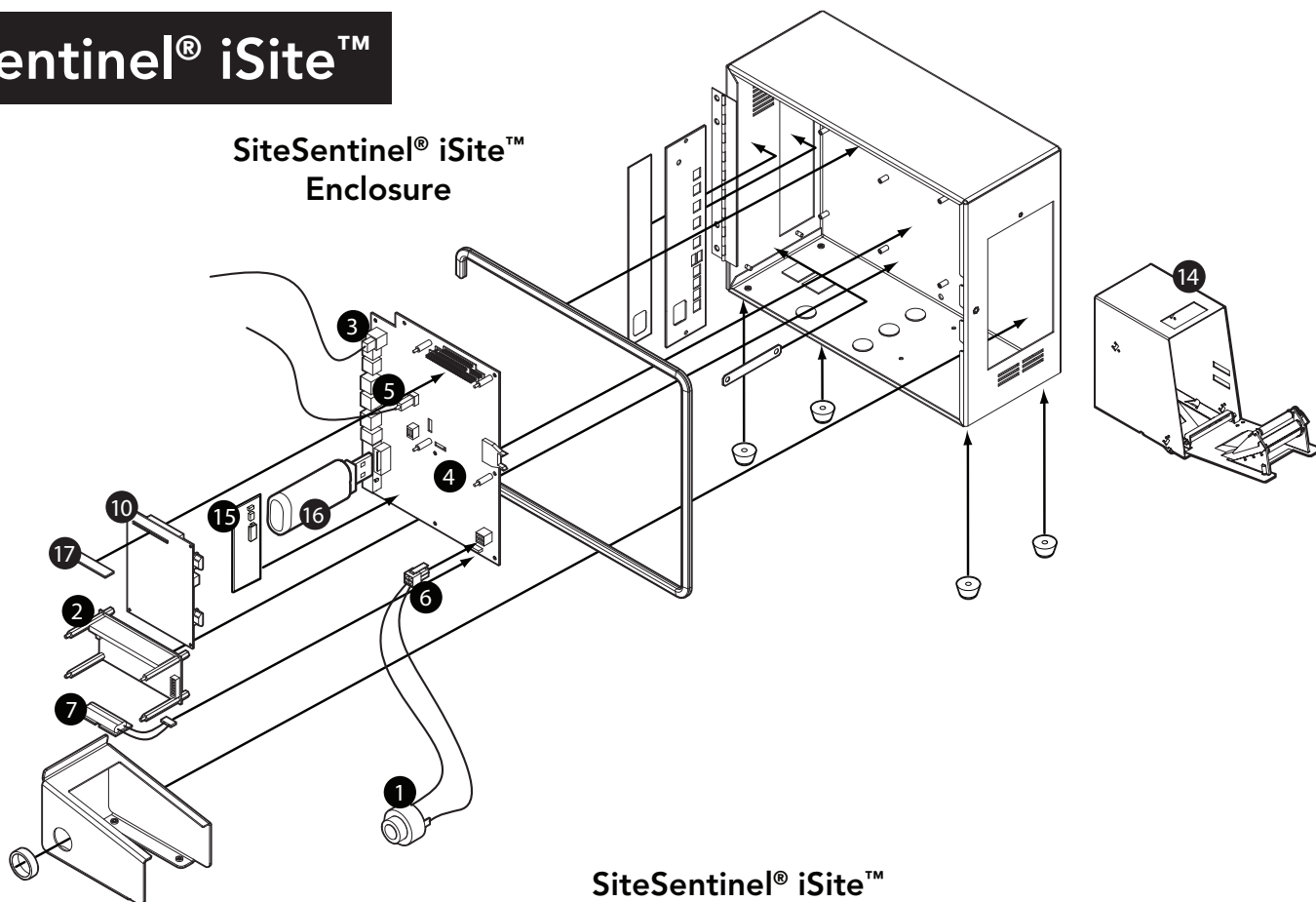
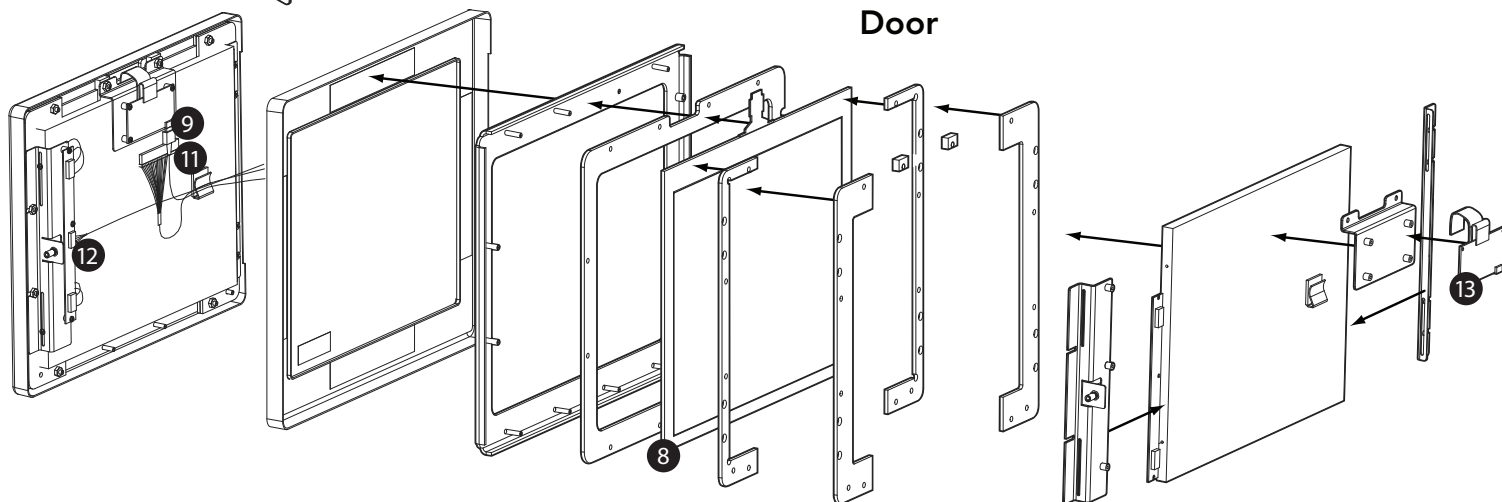


# SiteSentinel® iSite™

## SiteSentinel® iSite™ Enclosure



## SiteSentinel® iSite™ Door



### SiteSentinel® iSite™ Parts

1.	AUDIBLE SIGNAL 6-16VDC, 4-16MA .....	06-2005
2.	POWER SUPPLY, 3X5 12V. 65W .....	07-3010
3.	RJ45 1' PATCH CABLE ASSEMBLY .....	12-3046
4.	PV606 ISITE COMMUNICATION BOARD .....	20-0606
5.	SiteSentinel® iSite™ USB B TO SBC .....	20-1648
6.	SiteSentinel® iSite™ BUZZER CABLE ASSEMBLY .....	20-1649
7.	BATTERY, 7.4V 4400MAH .....	48-0210
8.	SiteSentinel® iSite™ DOOR ASSBLY with TOUCHSCREEN R20-2133	
9.	CABLE USB 2.0 A TO MINI B .....	12-3047
10.	SINGLE BOARD COMPUTER .....	75-2050
11.	DISPLAY CABLE ASSEMBLY .....	20-1635
12.	INVERTOR BOARD CABLE ASSEMBLY .....	20-1637
13.	TOUCH SCREEN CONTROLLER BOARD .....	75-2054
14.	REPLACEMENT RECEIPT PRINTER .....	75-0098
15.	INVERTOR BOARD .....	48-0404
16.	USB KEY .....	S002003
17.	SiteSentinel® iSite™ / SOFTWARE .....	S002001