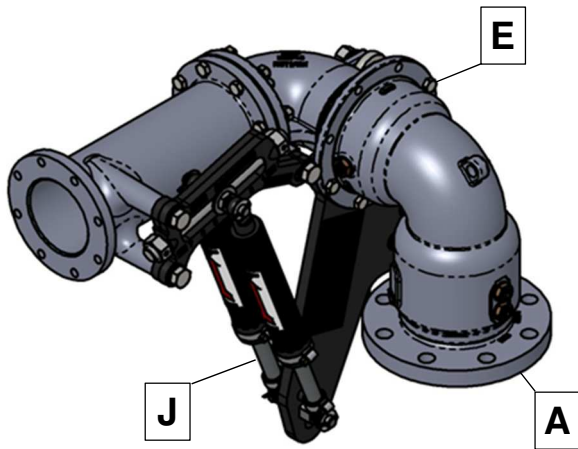


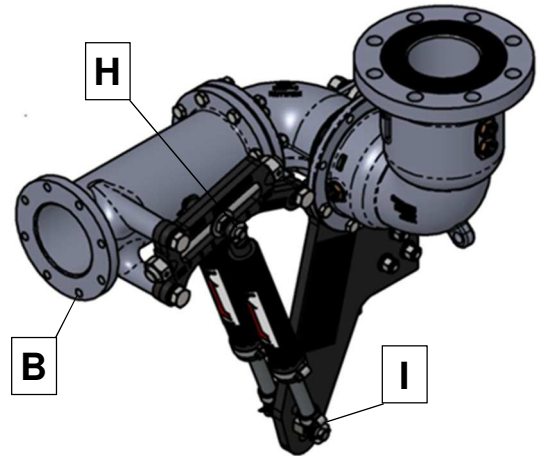
LBM800 Liquip Balance Mechanism

QUICK-FIT Installation Instructions P59118

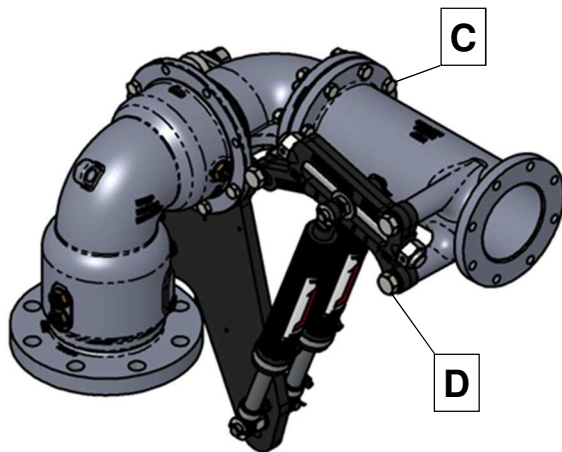
Assemble balance mechanism to have the desired orientation as shown below



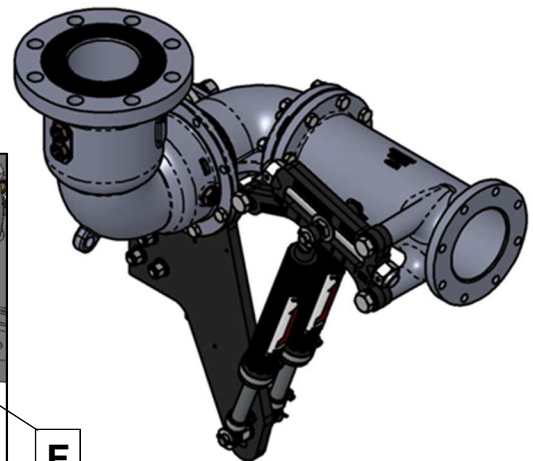
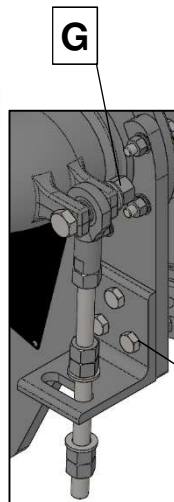
**RIGHT HAND
UPWARD INLET**



**RIGHT HAND
DOWNWARD INLET**



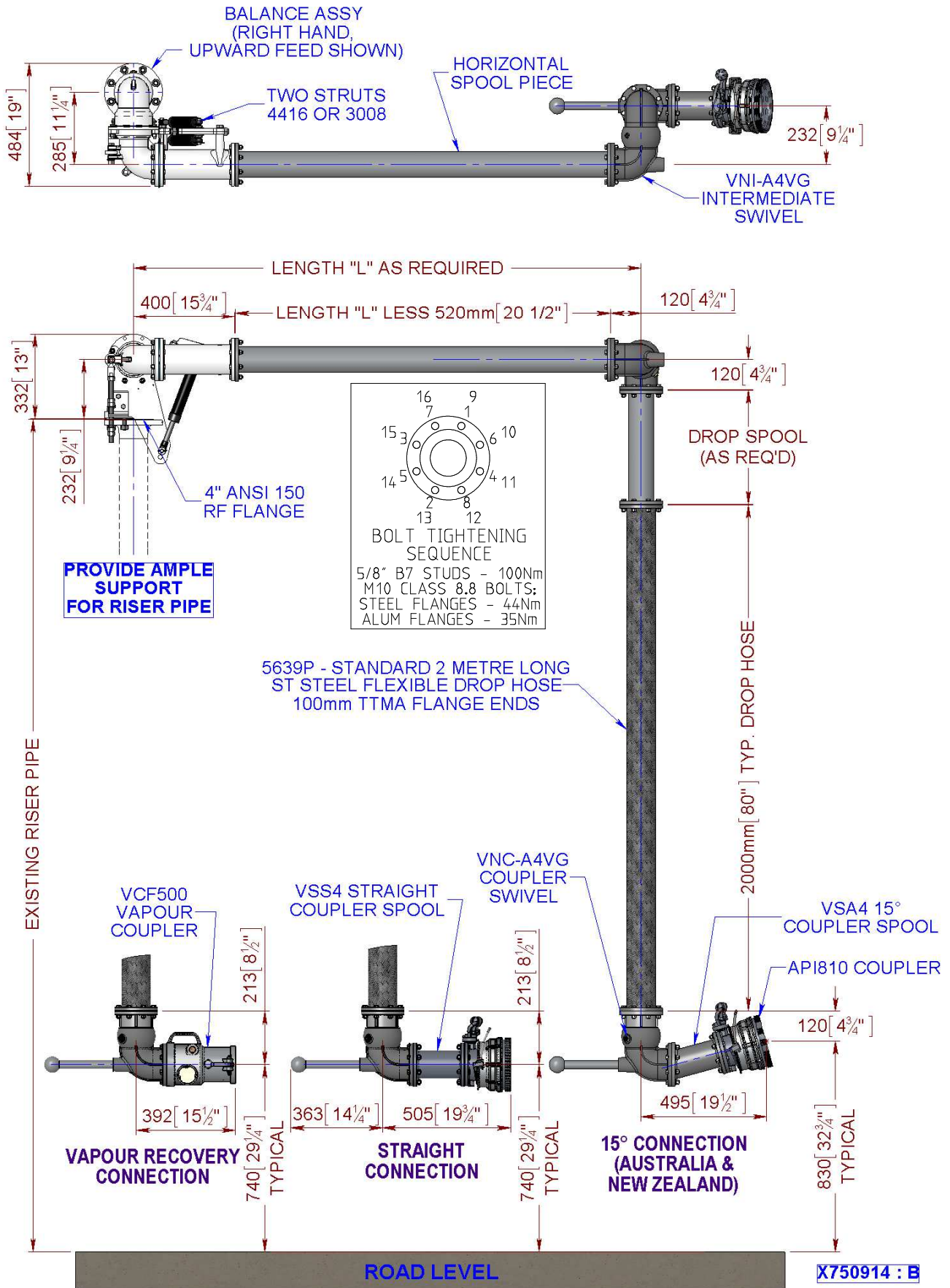
**LEFT HAND
UPWARD INLET**



**LEFT HAND
DOWNWARD INLET**

A	4" ANSI 150 flange inlet. Use B7 studs & 2H nuts torqued to 100Nm	B	4" TTMA outlet. Use PC8.8 bolts & nuts torqued to 44Nm
C	Outlet spool (4" TTMA). Use PC8.8 bolts & nuts torqued to 44Nm	D	Adjuster assembly. Orient as shown & torque to 190Nm
E	Drop leg bracket, orient and mount as shown. Torque 44Nm	F	Up/down stop bracket. Torque 30Nm
G	Up/down limiter bolt. Fit to slot as shown, torque to 40Nm	H	Top pivot pin (position in centre of adjustment to start)
I	Bottom pivot pin (position in centre hole for most applications)	J	Struts fitted with rod (boot) pointed downwards as shown

LBM800 SETUP



LIQUIP

See website for Liquip branches and distributors - www.liquip.com

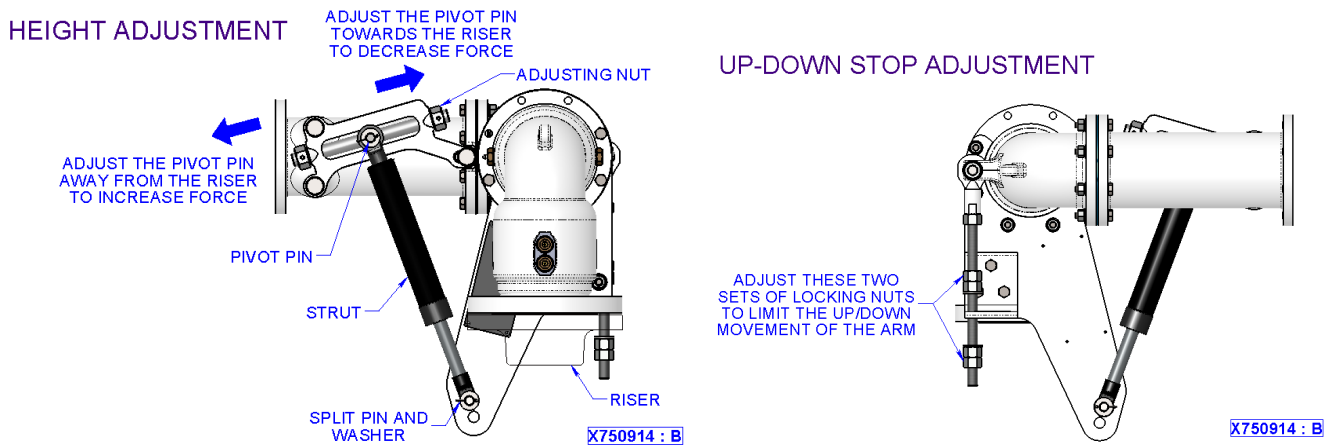
X750914
Issue: B

Before Filling With Product, Check:

- All spool pieces and swivels fitted to correct arm.
- Tightness of all flanges bolting.
- All split pins and washers fitted to top and bottom pivot pins.
- All leather boots secure on struts, with boots facing down.
- Struts lower pivots positioned in central hole in bracket (except for special purposes).
- Up/down stops fitted and adjusted.
- API coupler is closed.

After Filling With Product:

- Adjust force by adjusting struts. Take the weight off the arm before moving the adjustment nut.
Note: During adjustment, move the coupler up and down to ensure it shows a true position.
- Adjust “down” and “up” stops to prevent loading arm from crashing into nearby objects.
Note: The Up/Down stop should not be used to support an arm without struts.
- Visually check for product leaks.
- Check ease of rotation and up-down movement.



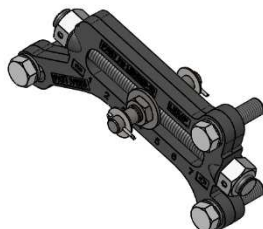
For additional maintenance details, refer to full LBM800 installation manual 59102

LBM800 - LIQUIP BALANCE MECHANISM

SPARE PARTS FOR LBM800



LBM800-100
COMPLETE SWIVEL ASSEMBLY
SIMPLE BOLT-IN REPLACEMENT



LBM800-ABA
ADJUSTER BRACKET ASSEMBLY
WITH MOUNTING BOLTS



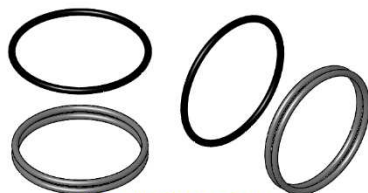
LBM800-UDL
UP/DOWN LIMITER BOLT
WITH MOUNTING FASTENERS



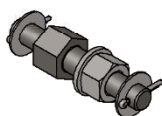
LBM800-VSK
BEARING & SEAL COMPONENTS
FOR VERTICAL AXIS SWIVEL



LBM800-HSK
BEARING & SEAL COMPONENTS
FOR HORIZONTAL AXIS SWIVEL



LBM800-ASK
O-RING SEAL COMPONENTS
FOR BOTH SWIVELS



LBM800-PPA
PIVOT PIN ASSEMBLY
FOR LOWER STRUT MOUNT



0657DMV
100mm VITON TTMA GASKET
BETWEEN SWIVEL & OUTLET
ALTERNATIVE - 4248 KLINGERITE



4416
LIFTOMAT STRUT
2800N
(BLACK BOOT)



3008
LIFTOMAT STRUT
5200N
(GREEN BOOT)

X750514 : D

METERS - VALVES - VENTS - MANHOLES - HOSEREELS - OVERFILL PROTECTION - LOADING ARMS - ELECTRONIC DIPSTICKS



LIQUIP INTERNATIONAL PTY LTD

13 HUME ROAD SMITHFIELD SYDNEY N.S.W. AUSTRALIA 2164

Phone: +61 2 9725-9000 Web: www.liquip.com

X750514

Sheet 4 of 4
Issue: D