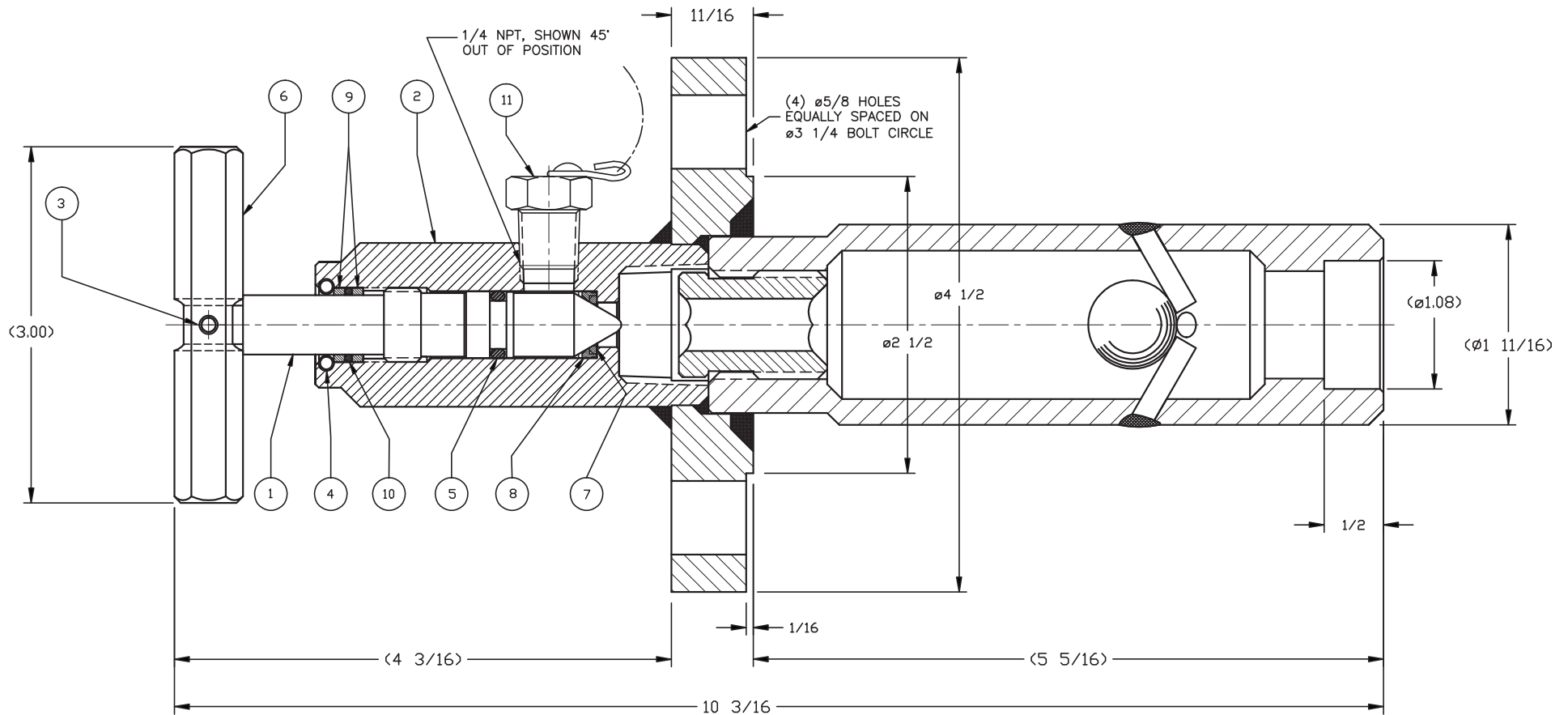


Model A-257-FW Series

Flanged Needle Valve and Check Valve Assembly



Model A-257-FW Series

Flanged Needle Valve and Check Valve Assembly

Item	Qty	Part Name	A-257-FW-SS		A-257-FW-MO		A-257-FW-MO-PRA	
			Material	Part No.	Material	Part No.	Material	Part No.
1	1	Stem	Stainless Steel	257-1-SS	Stainless Steel	257-1-MO	Stainless Steel	257-1-MO-PRA (5)
2	1	Body Assembly (2)	Stainless Steel	257-22-SS	Stainless Steel	257-22-MO	Stainless Steel	257-22-MO-PRA (5)
3	1	Pin	Stainless Steel	720-19-SS	Stainless Steel	720-19-SS	Stainless Steel	720-19-SS
4	2	Roll Pin	Stainless Steel	253-4-SS	Stainless Steel	253-4-SS	Stainless Steel	253-4-SS
5	1	O-Ring	Buna-N (1)	257-5-BN	Buna-N (1)	257-5-BN	Buna-N (1)	257-5-BN
6	1	Handle	Steel Plated	254-61-CS	Steel Plated	254-61-CS	Steel Plated	254-61-CS
7	1	Seat	Teflon	257-7-TF	Teflon	257-7-TF	Teflon	257-7-TF
8	1	Retainer	Stainless Steel	257-8-SS	Stainless Steel	257-8-MO	Stainless Steel	257-8-MO-PRA (5)
9	2	Stop Ring	Stainless Steel	257-9-SS	Stainless Steel	257-9-SS	Stainless Steel	257-9-SS
10	1	O-Ring	Buna-N	257-10-BN	Buna-N	257-10-BN	Buna-N	257-10-BN
11	1	Pipe Plug w/Chain (3)	Stainless Steel	(3)	Stainless Steel	(3)	Stainless Steel	(3)

NOTE: (1) Alternative Material Available

(2) Includes Needle Valve Body, Flange & A-119-W Excess Flow Check Valve

(3) For A-257-FW-SS: Use Part No. 20-SS-19-05-6-SS-KR

For A-257-FW-MO and A-257-FW-MO-PRA: Use Part No. 20-MO-19-05-6-SS-KR

(4) Test Pressure 500 PSI.

(5) Parts Certified For ASTM A262 Practice A