

Dual Valve Accessories

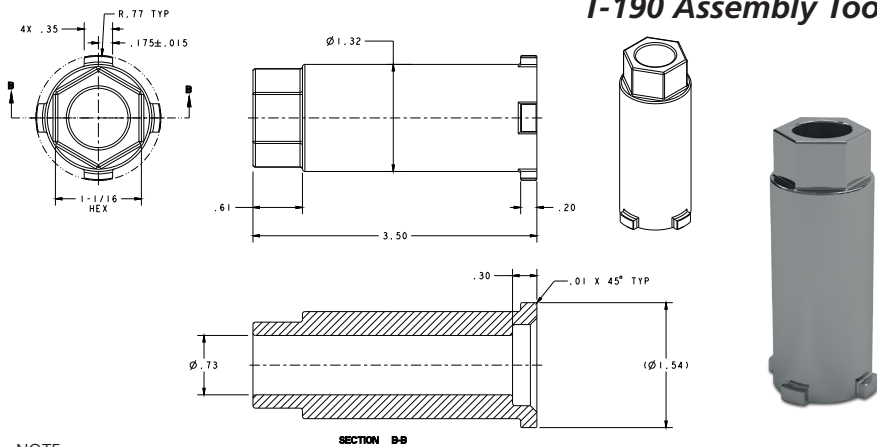
T-190/190-13-CS/9300-CS

for use with A-719-ML/A-190

March 9, 2017

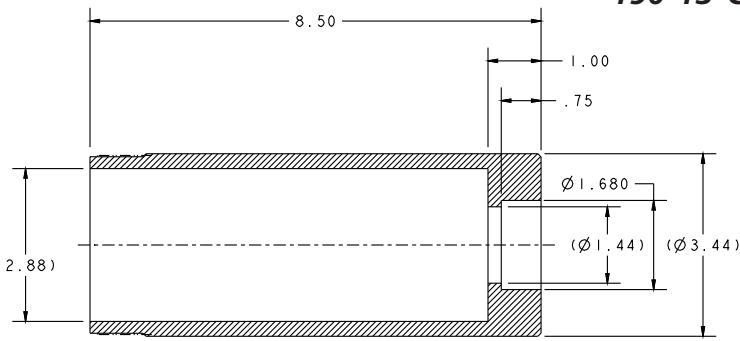
(Rev. 0)

T-190 Assembly Tool



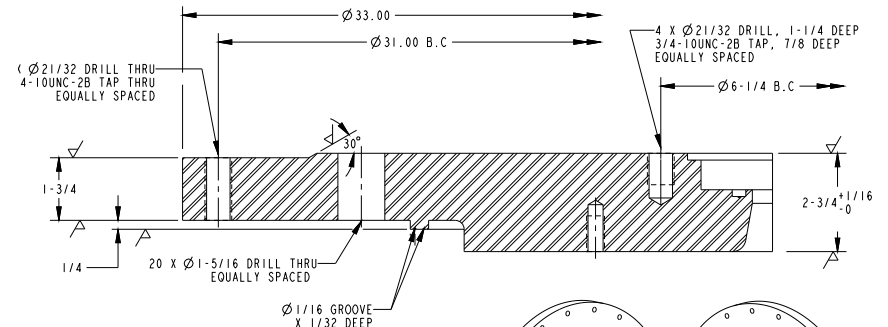
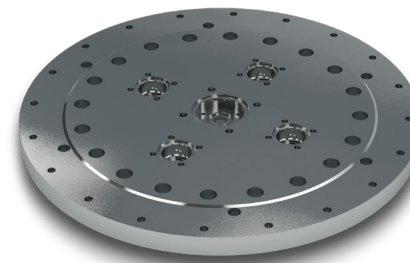
NOTE:
1. MATERIAL ASTM A434 CLASS B C 4140

190-13-CS Coupler



NOTE:
1. MATERIAL: ASTM A352 LCB

9300-CS Manway 18" Cover Plate (Also Available in 20" Size)



NOTE:
1. MATERIAL: ASTM A516 GR70 NORMALIZED