

Model A-724

Angle Valve

July 1, 2015



Technical Specifications

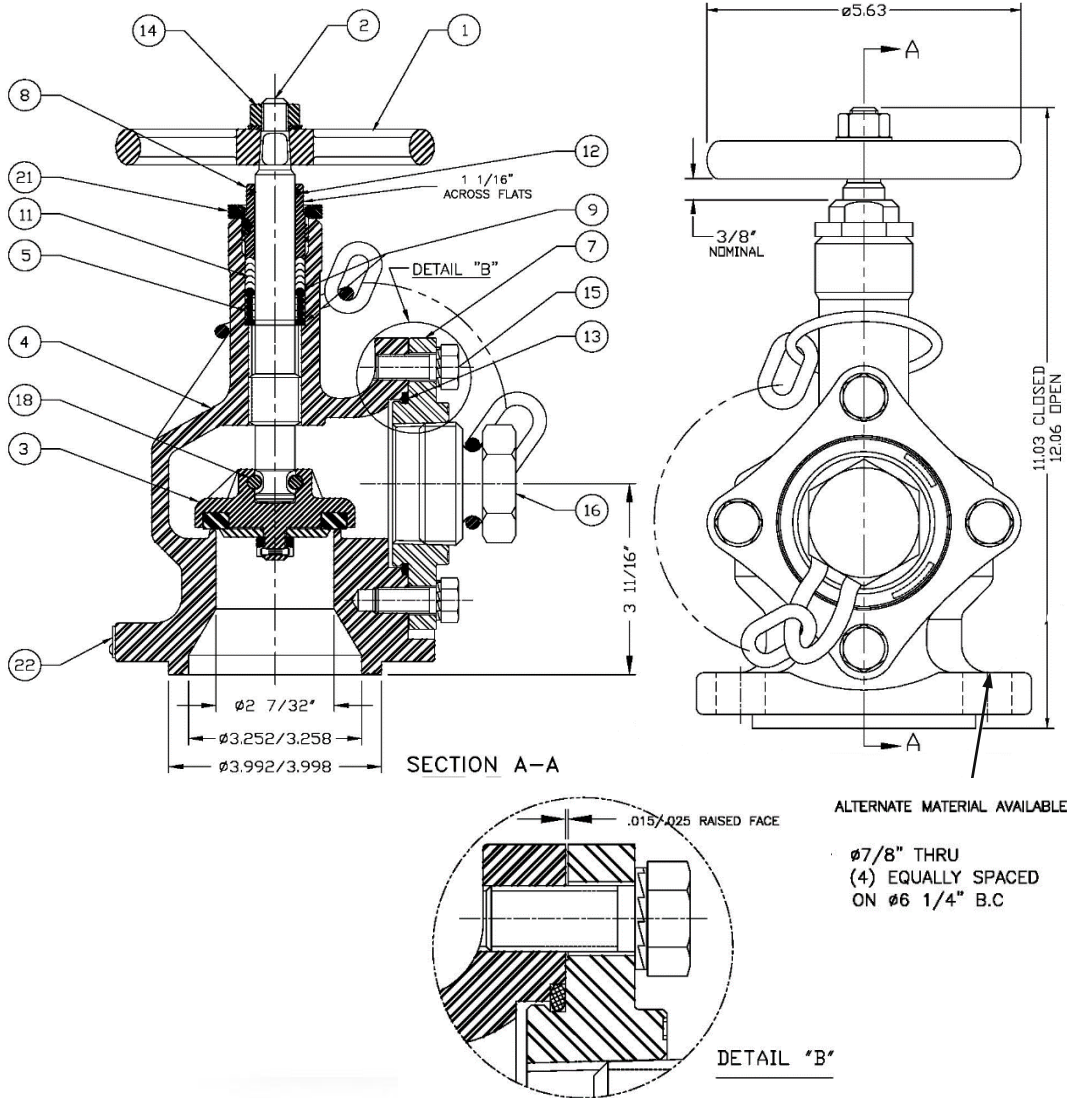
- Maximum Operating Pressure: 500 psig
- Maximum Operating Temperature: 350 °F (limited by elastomeric seals)
- Flow Coefficient(cv): 83.5 @ wide open position
- Handwheel Rotation: Clockwise to close
- Normal Handwheel Closing Torque: 20-25 ft-lb (Maximum Torque: 80 ft-lb limited by Shear Feature)
- Stroke: 3/4" Nominal. Stroke: Measurement above 7/8" indicates Seat Seal (Item #9) must be replaced
- Packing Screw Torque: Tighten to 65 ft-lb, then back off 1/8 turn
- Mounting Flange: Ø6" square X 0.75 thick with four 7/8" holes on Ø6- 1/4" B.C.
- Mounting Studs: Four 3/4" X 3" long(min.). Consult your gasket manufacturer for required torque values
- Tongue Dimensions: 3.995" OD X 3.255" ID X 0.250" (0.125" thick gasket required; not furnished with valve)
- Alternate materials of construction available
- AAR Approval No. E112004
- Alternate O-ring material available



Model A-724

Angle Valve

July 1, 2015



| Item | QTY | Part Name | Material | Part No. |
|------|-----|------------------------|-------------|------------|
| 1 | 1 | HANDWHEEL | ALUMINIUM | 720-1-AL |
| 2 | 1 | STEM | STAINLESS | 720-2-SS |
| 3 | 1 | GASKET RETAINER ASSY | STAINLESS | 720-301-SS |
| 4 | 1 | BODY | STAINLESS | 720-4-SS |
| 5 | 1 | SPRING | STAINLESS | 720-5-SS |
| 6 | | | | |
| 7 | 1 | OUTLET FLANGE | STAINLESS | 720-71-SS |
| 8 | 1 | PACKING SCREW W/INSERT | NITRONIC 60 | 720-8-N60 |
| 9A | 1 | PACKING WASHER TOP | STAINLESS | 720-93-SS |
| 9B | 1 | PACKING WASHER BOTTOM | STAINLESS | 720-91-SS |
| 10 | | | | |
| 11 | 5 | PACKING | TEFLON | 720-11-TF |
| 12 | 1 | STEM SEAL | BUNA-N* | 720-12-BN |
| 13 | 1 | "O" RING OUTLET | BUNA-N* | 720-131-BN |
| 14A | 1 | HANDWHEEL NUT | STAINLESS | 10-15-SS |
| 14B | 1 | WASHER | STEEL | 308-12-CS |
| 15A | 4 | BOLT | STAINLESS | 724-15-SS |
| 15B | 4 | LOCK WASHER | STAINLESS | 724-152-SS |
| 16 | 1 | OUTLET PLUG & CHAIN | STAINLESS | 720-16-CS |
| 17 | | | | |
| 18A | 1 | STEM RETAINER | STAINLESS | 720-18-SS |
| 18B | 2 | NUT | STAINLESS | 720-181-SS |
| 19 | | | | |
| 20 | | | | |
| 21 | 1 | PACKING LOCK NUT | STAINLESS | 724-21-SS |
| 22 | 1 | NAME PLATE | STAINLESS | 724-22-SS |

AAR APPROVAL NO. E112004