

Model A-720

Angle Valve

July 1, 2015

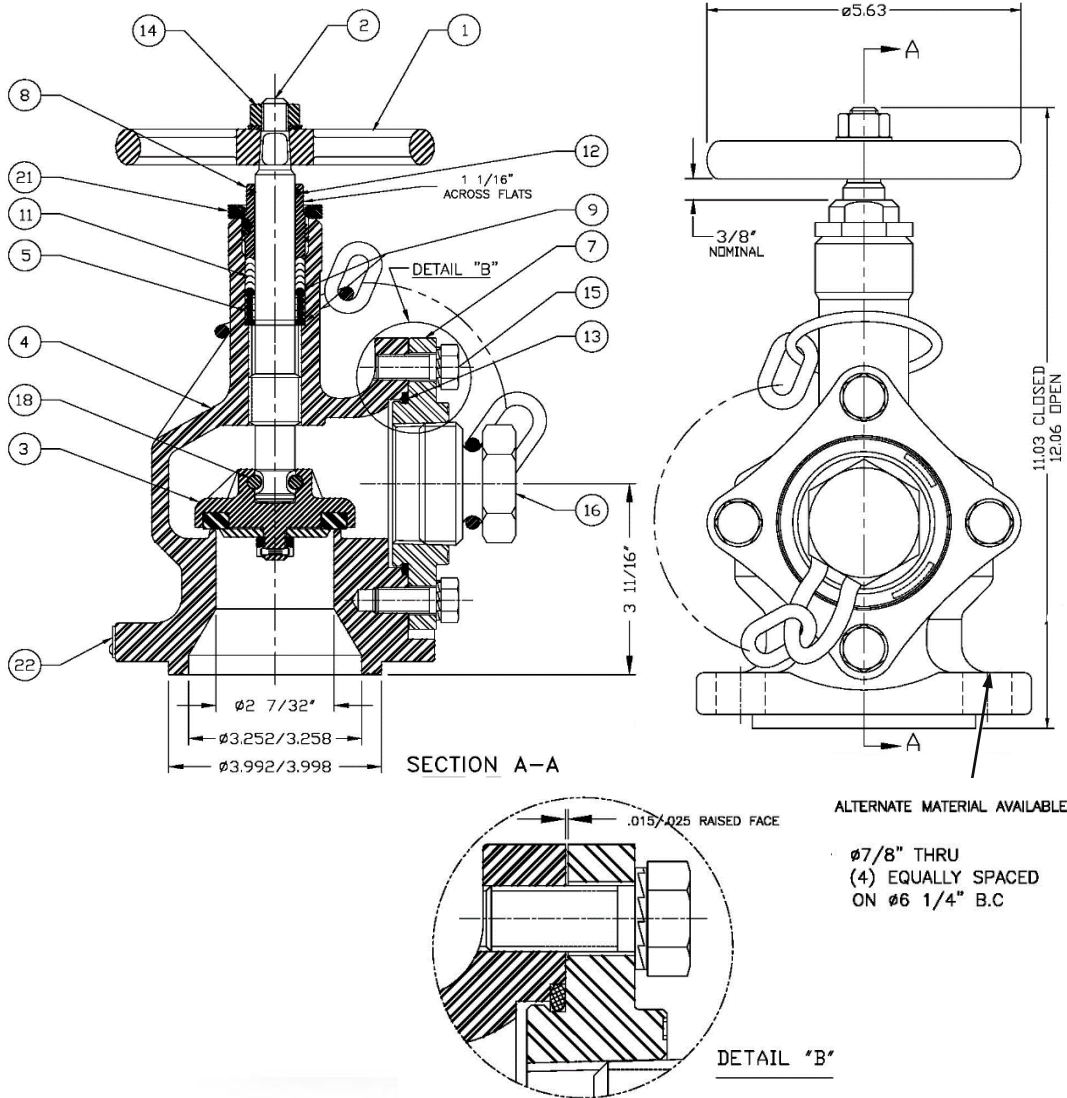


Technical Specifications

- Maximum Operating Pressure: 500 psig
- Maximum Operating Temperature: 350 °F (limited by elastomeric seals)
- Flow Coefficient(cv): 83.5 @ wide open position
- Handwheel Rotation: Clockwise to close
- Normal Handwheel Closing Torque: 20-25 ft-lb (Maximum Torque: 80 ft-lb limited by Shear Feature)
- Stroke: 3/4" Nominal. Stroke: Measurement above 7/8" indicates Seat Seal (Item #9) must be replaced
- Packing Screw Torque: Tighten to 65 ft-lb, then back off 1/8 turn
- Mounting Flange: Ø6" square X 0.75 thick with four 7/8" holes on Ø6- 1/4" B.C.
- Mounting Studs: Four 3/4" X 3" long(min.). Consult your gasket manufacturer for required torque values
- Tongue Dimensions: 3.995" OD X 3.255" ID X 0.250" (0.125" thick gasket required; not furnished with valve)
- Alternate materials of construction available
- AAR Approval No. E112004
- Alternate O-ring material available



Model A-720
Angle Valve
July 1, 2015



AAR APPROVAL NO. E112004

Item	QTY	Part Name	Material	Part No.
1	1	HANDWHEEL	ALUMINIUM	720-1-AL
2	1	STEM	STAINLESS	720-2-SS
3	1	GASKET RETAINER ASSY	STEEL	720-301-CS
4	1	BODY	STEEL	720-4-CS
5	1	SPRING	STAINLESS	720-5-SS
6				
7	1	OUTLET FLANGE	STEEL	720-71-CS
8	1	PACKING SCREW W/INSERT	STEEL	720-8-CS
9A	1	PACKING WASHER TOP	STAINLESS	720-93-SS
9B	1	PACKING WASHER BOTTOM	STAINLESS	720-91-SS
10				
11	5	PACKING	TEFLON	720-11-TF
12	1	STEM SEAL	BUNA-N*	720-12-BN
13	1	"O" RING OUTLET	BUNA-N*	720-131-BN
14A	1	HANDWHEEL NUT	STAINLESS	10-15-SS
14B	1	WASHER	STEEL	308-12-CS
15A	4	BOLT	STAINLESS	724-15-SS
15B	4	LOCK WASHER	STAINLESS	724-152-SS
16	1	OUTLET PLUG & CHAIN	STEEL, PLATED	720-16-CS
17				
18A	1	STEM RETAINER	STAINLESS	720-18-SS
18B	2	NUT	STAINLESS	720-181-SS
19				
20				
21	1	PACKING LOCK NUT	STEEL	720-21-CS
22	1	NAME PLATE	STAINLESS	720-22-SS