



T195SV Vapor Recovery Vent Instruction & Maintenance Manual

12021PA

Rev. +, March 2009



Product Description

Civacon's T195SV sequential vapor recovery vent design increases flow while loading and unloading. This vent is designed to work on a 20" Manhole cover with or without mounting bolt holes. The o-ring will seal on the outside diameter of a bolt pattern. The T195SV conforms to API 1004 and EN13083 regulations. Civacon's T195SV is a direct replacement for the 1985SV and all competitors' vapor recovery vents. Compatible with diesel, biodiesel, gasoline, ethanol and methanol

Manual

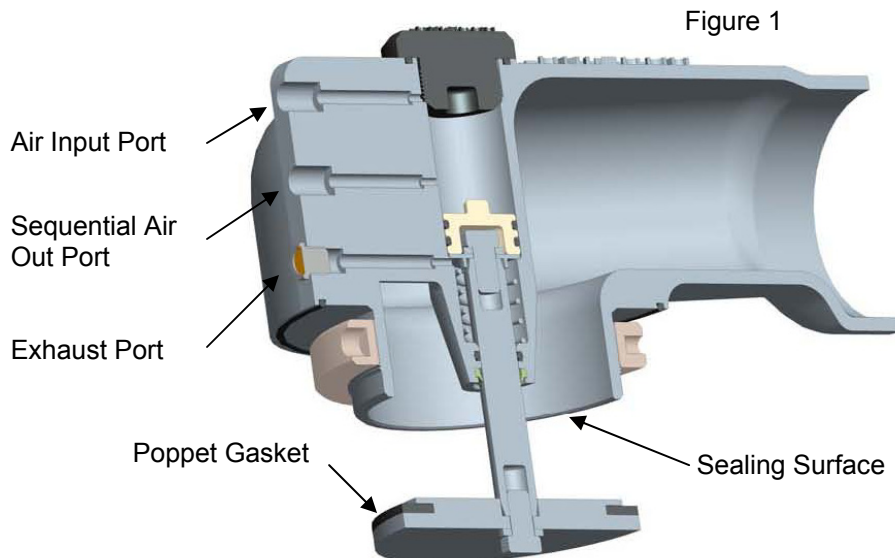
This manual contains the inspection, maintenance schedule and instructions for repairing and replacing parts for the T195SV vapor recovery vent. The following schedule, based on the environmental conditions in the northern United States, is only a recommendation: *Inspection and maintenance intervals must be adjusted according to use and operating conditions.* If any parts are damaged, refer to the *Annual Inspection and Maintenance* section.

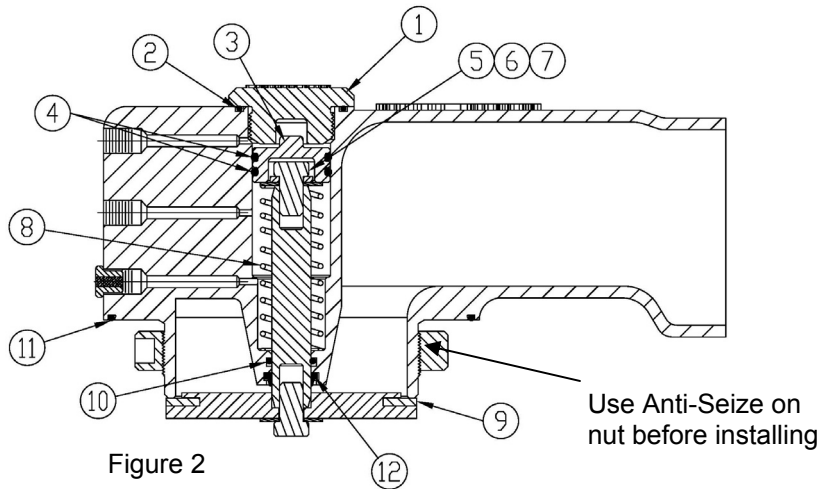
Semi-Annual Inspection

Visually inspect and test the vent for proper operation. This inspection can be done without removing the vent from the trailer. *Follow all safety procedures.* If any of the following parts need to be repaired or replaced, refer to the *Annual Inspection & Maintenance* section.

Visual Inspection

1. Poppet gasket surface and poppet gasket condition to be visually inspected with poppet in extended position. See **Figure 1**
2. If gasket shows sign of damage, gasket should be replaced and vent rebuilt. See Rebuilt Procedures
3. Contact Civacon at (888) 526-5657 for seal replacement kit (PN: T195SVRK)





T195SV Vapor Vent Rebuild Procedure

1. Review **Figure 2** before starting rebuild.
2. Remove cap 11672 (1) and o-ring 11692 (2). Set aside.
3. Remove piston 11772 (3) and o-ring 11776 (4).
4. Using 9/16" socket remove bolt H20518M (5), lock washer 1760 (6) and spring guide 11990 (7). Be careful upon removal, spring is under pressure from bolt.
5. Remove spring 11694 (8) and set aside.
6. Remove poppet from housing and replace gasket 11699 (9).
7. Remove o-ring 10681M (10) and wiper 11696 (12) and replace.
8. Insert spring 11694 (8).
9. Using 9/16" socket fasten bolt H20518M (5), lock washer 1760 (6) and spring guide 11990 (7). Apply pressure to bolt to compress spring. Tighten bolt until snug.
10. Insert new piston 11772 (3) and o-ring 11776 (4) in bore.
11. Install o-ring 11692 (2) and cap 11672 (1).
12. Remove o-ring 11695 (11) and replace.
13. Test vent operation by applying air to inlet port.

Warranty

All parts and products are thoroughly inspected and tested from the time raw material is received at our plant, until the product is completed. We guarantee that all products are free from defects in materials and workmanship for a period of one year from the date of shipment. Any product that may prove defective within said one year period will, at our discretion, be promptly repaired, replaced or credit given for future orders. This warranty shall not apply to any products which has been altered in any way, which has been repaired by any parts other than an authorized service representative, or when such a failure is due to misuse or condition of use. We shall have no liability for labor costs, freight costs or any other costs or charges in excess of the amount of invoice for the products.

THIS WARRANTY IS IN LIEU OF ALL OTHER WARRANTIES, EXPRESS OR IMPLIED AND SPECIFICALLY THE WARRANTIES OF MERCHANTABILITY AND FITNESS FOR A PARTICULAR PURPOSE.

WARNING!!

CIVACON products should be used in compliance with the applicable federal, state and local laws and regulations. Product selection should be based on physical specifications and limitations, compatibility with the environment, and the material being handled.

CIVACON MAKES NO WARRANTIES OF FITNESS FOR A PARTICULAR PURPOSE.

TECHNICAL ASSISTANCE

If at any time during the installation a question arises that is not covered in this manual or with any other applicable documents feel free to call the Customer Service Department or visit our website at **www.civacon.com**.

In the U.S., call 1-888-526-5657
In all other countries, call your local agent.



PHONE: (816) 741-6600 • (888) 526-5657 • Fax: (816) 741-1061
4304 Mattox Road • Kansas City, MO 64150 • www.civacon.com