

Warranty

All parts and products are thoroughly inspected and tested from the time raw material is received at our plant, until the product is completed. We guarantee that all products are free from defects in materials and workmanship for a period of one year from the date of shipment. Any product that may prove defective within said one year period will, at our discretion, be promptly repaired, replaced or credit given for future orders. This warranty shall not apply to any products which has been altered in any way, which has been repaired by any parts other than an authorized service representative, or when such a failure is due to misuse or condition of use. We shall have no liability for labor costs, freight costs or any other costs or charges in excess of the amount of invoice for the products.

THIS WARRANTY IS IN LIEU OF ALL OTHER WARRANTIES, EXPRESS OR IMPLIED AND SPECIFICALLY THE WARRANTIES OF MERCHANTABILITY AND FITNESS FOR A PARTICULAR PURPOSE.

WARNING!!

CIVACON products should be used in compliance with the applicable federal, state and local laws and regulations. Product selection should be based on physical specifications and limitations, compatibility with the environment, and the material being handled.

CIVACON MAKES NO WARRANTIES OF FITNESS FOR A PARTICULAR PURPOSE.

TECHNICAL ASSISTANCE

If at any time during the installation a question arises that is not covered in this manual or with any other applicable documents feel free to call the Customer Service Department or visit our website at www.civacon.com.

In the U.S., call 1-888-526-5657

In all other countries, call your local agent.

CIVACON

PHONE: (816) 741-6600 • (888) 526-5657 • Fax: (816) 741-1061
4304 Mattox Road • Kansas City, MO 64150 • www.civacon.com



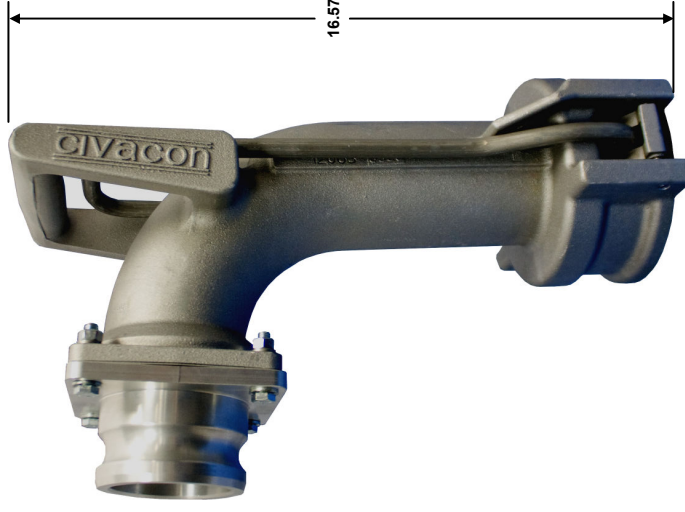
CIVACON

AN **opi** FLUID TRANSFER GROUP COMPANY

80TT SERIES VAPOR ADAPTERS Instruction & Maintenance Manual

P/N: 12231PA

Rev. B - September 2010



Product Description

Vapor Recovery Elbow for dual point applications. Available with 3" male cam and groove adapter (shown), 4" male cam and groove adapter or 3" female NPT adapter. 5 degree angled outlet. Lightweight 12 lb design.

Manual

This manual contains the inspection and maintenance instructions for 80TT Series of Vapor Adapters. Inspection and maintenance intervals must be adjusted according to use and operating conditions. If any parts are damaged, replace them with approved Civacon replacement parts

CIVACON

PHONE: (816) 741-6600 • (888) 526-5657 • Fax: (816) 741-1061
4304 Mattox Road • Kansas City, MO 64150 • www.civacon.com

Available Models:

80TT — Vapor Elbow with 3" Male Cam and Groove Adapter (Shown)

80TTA — Vapor Elbow with 4" Male Cam and Groove Adapter

80TTF — Vapor Elbow with 3" NPT Female Adapter

Usage Information

- Be sure elbow has no missing or damaged parts.
- Remove any obstructions from manhole before connecting elbow.
- Be sure elbow is securely fastened to the adapter in the manhole before connecting the hoses.
- Be sure the vapor and liquid hose connections are securely fastened.
- Use proper lifting methods while using elbows.
- Stay away from sources of ignition when using this product.
- Do not put your fingers or any portion of your hand between latch handle and upper handle during usage.
- Do not modify elbow or perform repairs using parts that are not approved by Civacon.
- Elbows are extremely durable however they should not be dropped or thrown during usage.

Warning

Failure to have hoses connected can cause product spillage or vapor loss resulting in a potential fire, explosion or environmental pollution.

In the event you are splashed, remove all wetted clothing immediately. Do not go into an enclosed area. Stay away from sources of ignition.

Operating Procedure

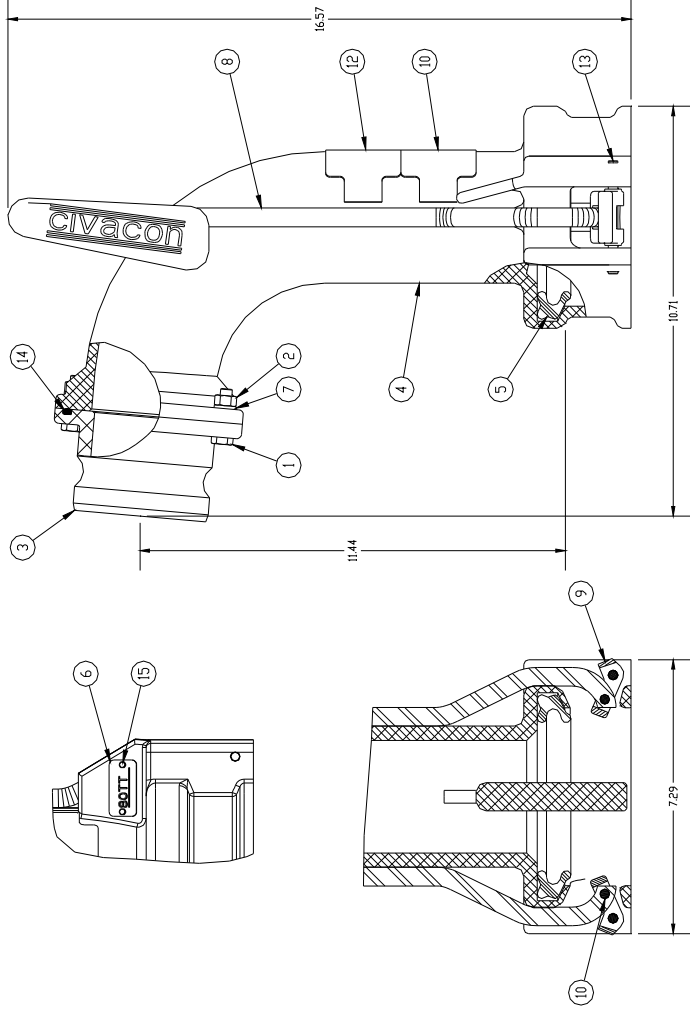
To Connect: Securely push down on the upper handle assembly until locking cams engage the station adapter.

To Disconnect: Push down on upper handle slightly, then squeeze latch handle until locking cams disconnect from station adapter.

Inspection:

Elbows should be inspected regularly for missing or damaged parts. Check the #5 tank connection gasket for cuts, abrasions or distortion of any kind. Make sure the #9 cam lever is securely attached and operates freely. Check that the adapter gasket #14 is providing the proper seal. Verify that all fasteners are properly tightened. Inspect all other parts and repair or replace as needed.

80TT WITH 3" MALE CAM AND GROOVE FITTING SHOWN



Approximate Weight 12 lb

Item	Part #	Qty	Description
1	6112	1	Bolt Hex Head 5/16" - 18 x 1"
2	7816	4	Nut Hex Head 5/16" - 18
3	11588	1	3" Male Cam & Groove Adapter (Shown - For 80TT)
3A	12232	1	4" Male Cam & Groove Adapter (Not Shown - For 80TTA)
3B	12228	1	3" NPT Female Adapter (Not Shown - For 80TTF)
4	12064	1	Body, Machined
5	12157	1	Gasket Buna-N, Tank Connection
6	12226	1	Model Label
7	10806M	4	Lock Washer M8
8	C10078M	1	Latch Handle
9	C10079A	2	Cam Lever
10	C10104M	1	Operation Label
11	H20140M	2	Groove Pin 1/4" Diameter
12	H20257M	1	Warning Label
13	H20304M	2	Groove Pin
14	H62373M	1	O-Ring Buna-N
15	H63001M	2	Label Screw