



FL42/SK12 SKIRT FITTING INSTRUCTIONS

21-04-06

MATERIAL LIST 10" DEEP SKIRT		
ITEM	DESCRIPTION	QUANTITY
1	FL42/SK12 SKIRT (12" DEEP)	1

Fitting Procedure

1. Abrade and wipe with a degreasing solvent the bond areas of the skirt/frame.
2. Apply a bead of adhesive sealant (Bostik 1100FS or similar) to the vertical face of the frame skirt approximately $\frac{3}{8}$ " down from the top (refer to Fig 1A).
3. Position the skirt over the frame & press into position until the skirt stops against the shoulder of the frame skirt. Apply an internal fillet of adhesive sealant to the skirt / frame joint and smooth off. (Refer Fig. 1B)

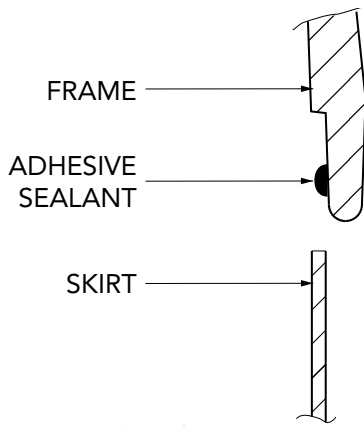


Fig 1A

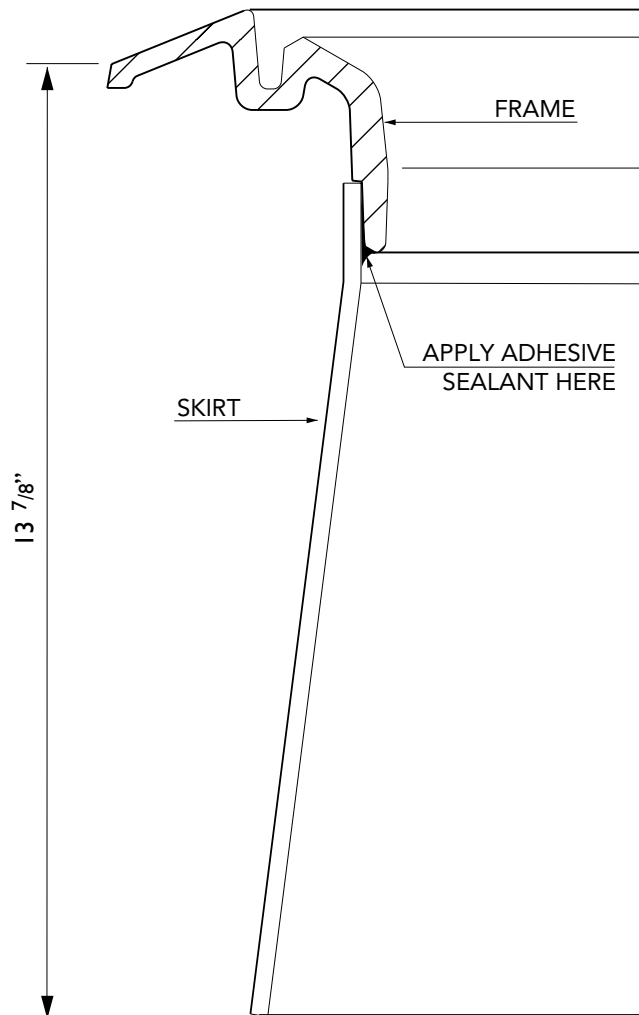


Fig 1B