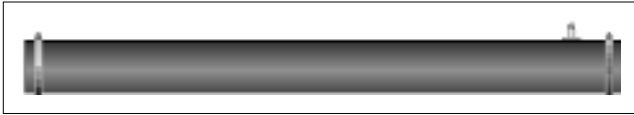
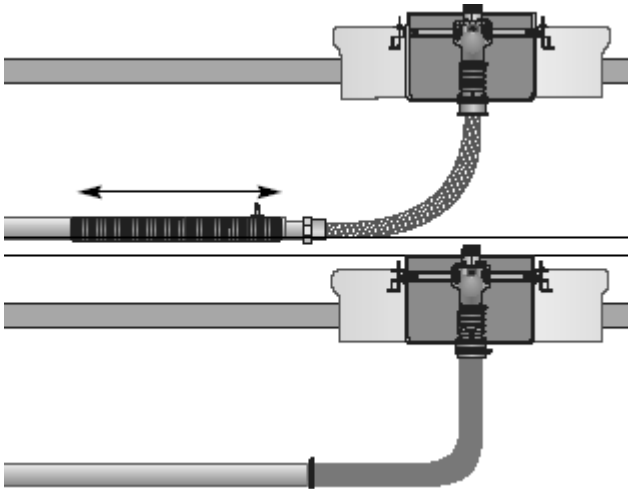


30" & 42" Flexible Isolation Tube



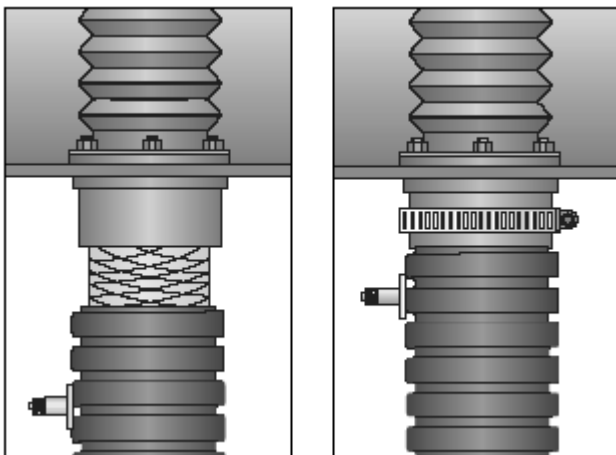
30" Installation

The rubber tube is sized so that it will seal to 3" nominal pipe and slide over this pipe so that the flexible connector may be visually inspected during testing. If sealing is required to 2" nominal pipe at the lower end, a 3" x 2" *Rubber Reducer Seal* must be inserted onto the 2" pipe before assembly. This size isolation tube is designed for dispenser pan connections.



Dispenser Pan Cuff Connections

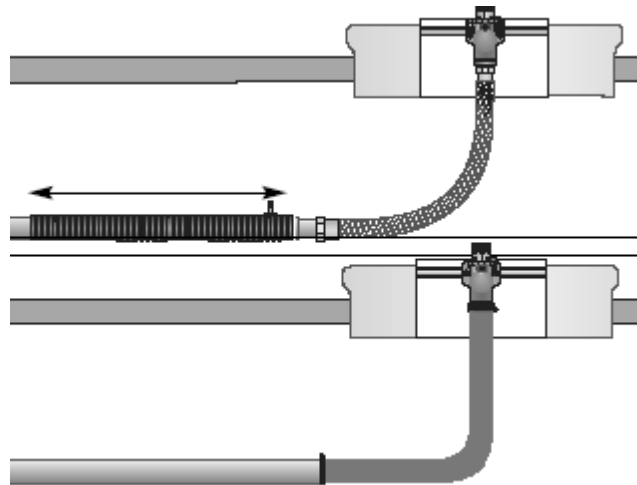
After primary pipe assembly and testing, shift the isolation tube up and over the cuff located under the dispenser pan. Seal the lower and upper isolation tube joints by installing the two band clamps and tighten each clamp to 30 inch pounds. The isolation tube may be individually tested to 5 psi using the provided air valve stem.



FIT TABLE	
Part No.	Size
FIT- 3530	3-1/2" x 30"
FIT- 3542	3-1/2" x 42"
FIT- 4530	4-1/2" x 30"

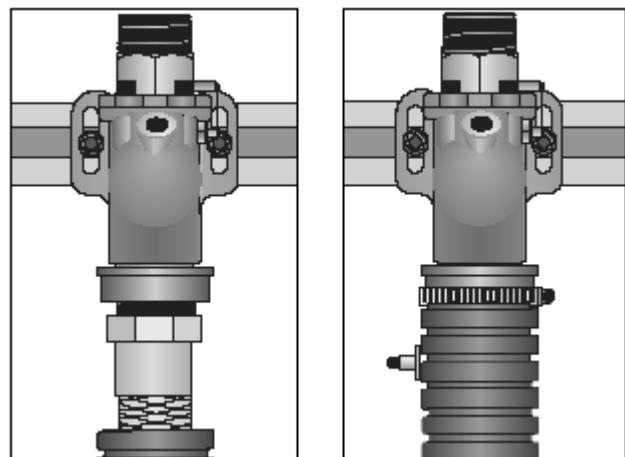
42" Installation

The rubber tube is sized so that it will seal to 3" nominal pipe and slide over this pipe so that the flexible connector may be visually inspected during testing. If sealing is required to 2" nominal pipe at the lower end, a 3" x 2" *Rubber Reducer Seal* must be inserted onto the 2" pipe before assembly. This size isolation tube is designed for shear valve connections.



Shear Valve Cuff Connections

After primary pipe assembly and testing, shift the isolation tube up and over the *Shear Valve Bushing* which should be installed to the base of the shear valve. Seal the lower and upper isolation tube joints by installing the two band clamps and tighten each clamp to 30 inch pounds. The tube may be individually tested to 5 psi using the provided air valve stem.



IMPORTANT INFORMATION - FOLLOW ALL INSTRUCTIONS

Please contact your OPW-FCS sales representative or OPW-FCS customer service representative at 1-800-422-2525 for OPW-FCS products installation procedures. All OPW-FCS literature including installation instruction sheets and manuals can be accessed from the OPW-FCS website at: www.opwfcs.com.

The use of non-qualified personnel or any deviations from these recommended procedures could result in damage or leakage of the system.

Flexible Isolation Tubes

<input type="checkbox"/>	FIT-3530	3-1/2" x 30"
<input type="checkbox"/>	FIT3542	3-1/2" x 42"
<input type="checkbox"/>	FIT4530	4-1/2 x 30"