



OPW Installation Instructions

61SA-TOOL Multipurpose Installation Tool

IMPORTANT: Please read all warnings and follow the installation instructions completely and carefully. Failure to do so will void all warranties and may cause product failure, or result in environmental contamination due to liquid leakage into the soil, creating hazardous spill conditions.

WARNING - DANGER: Using electrically-operated equipment near gasoline or gasoline vapors may result in fire or explosion, causing personal injury and property damage. Be sure that the working area is free from such hazards, and always use proper precautions.

WARNING: Proper operation is dependent on proper installation and regular maintenance. The following instructions are provided to assist you in properly installing rotating product adaptors and spill container. Failure to follow these instructions may cause failure to the system, resulting in a hazardous condition.

HOW TO USE 61SA-TOOL TO INSTALL A 61SA, 61VSA, 61SALP, AND FSA-400

- 1.) Slide the rotatable adaptor socket of the assembled tool onto the appropriate lugs of the necessary product. See Figure 1.
- 2.) Rotate the tool clockwise to tighten the product to the riser pipe.
- 3.) Remove handle by removing screw "A" and use the 7/8" hex to attach torque wrench and tighten to specified torque per each products instruction sheet.

CAUTION: DO NOT over torque product. Doing so may cause failure to the system resulting in a hazardous condition.

HOW TO USE 61SA-TOOL TO INSTALL a #1 SERIES SPILL CONTAINER BASE

- 1.) Remove the rotatable adaptor socket from the base bar by taking out screw "B". The finished assembly should be as seen in Figure 2.
- 2.) Slide the 61SA-TOOL onto the spill container base inside the appropriate slots.
- 3.) Rotate the tool clockwise to tighten the product to the riser pipe at the given torque values per the products instruction sheet.

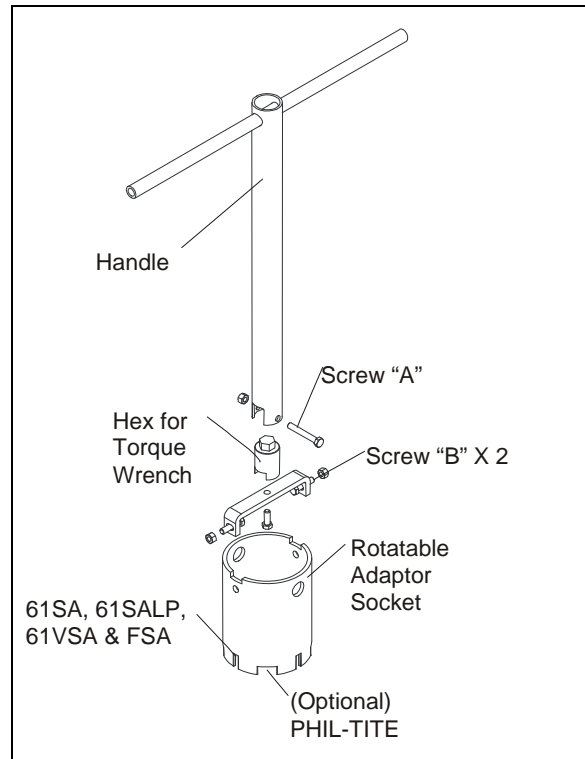


Figure 21

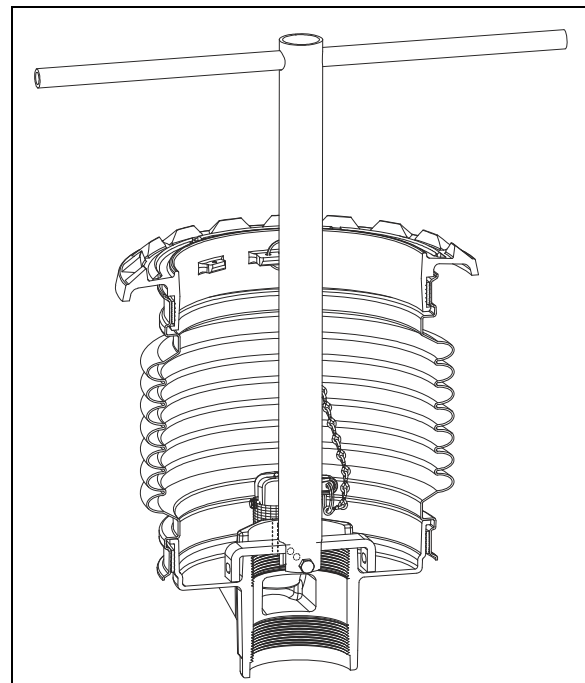


Figure 22

- 4.) Use the TC-400 torque cap and 61SA-TOOL for installing 4" nipples and risers (See figure 3).
- 5.) Use lubricate (molly grease) on the threads of the TC-400.
- 6.) Thread TC-400 onto the 4" Riser or Nipple.
- 7.) Slide the 61SA-TOOL, using the appropriate slots onto the TC-400.
- 8.) Rotate the tool clockwise to tighten the product to the riser pipe.
Make sure recommended torque values are applied (See installation instruction).

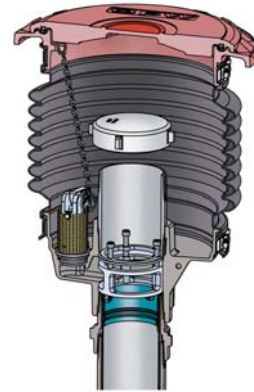


Figure 3

Notice: OPW products must be used in compliance with applicable federal, state, and local laws and regulations. Product selection should be based on physical specifications and limitations and compatibility with the environment and material to be handled. All illustrations and specifications in this literature are based on the latest production information available at the time of publication. Prices, materials, and specification are subject to change at any time, and models may be discontinued at any time, in either case, without notice or obligation.

Standard Product Warranty

OPW warrants that products sold by it are free from defects in materials and workmanship for a period of one year from the date of manufacture by OPW (ECO products two years from date of manufacture.) Proof of purchase may be required. As the exclusive remedy under this limited warranty, OPW, will at its sole discretion, repair, replace, or issue credit for future orders for any product that may prove defective within the one year date of manufacture period (repairs, replacements, or credits may be subject to prorated warranty for remainder of the original warranty period, complete proper warranty claim documentation required.) This warranty shall not apply to any product that has been altered in any way, which has been repaired by any party other than a service representative authorized by OPW, or when failure is due to misuse, or improper installation or maintenance. OPW shall have no liability whatsoever for special, incidental or consequential damages to any party, and shall have no liability for the cost of labor, freight, excavation, clean up, downtime, removal, reinstallation, loss of profit, or any other cost or charges.

For any product certified to California 2001 standards, OPW warrants that product sold by it are free from defects in material and workmanship for a period of one year from date of manufacture or one year from date of registration of installation not to exceed 15 months from date of manufacture by OPW.

THIS WARRANTY IS IN LIEU OF ALL OTHER WARRANTIES, EXPRESS OR IMPLIED, AND SPECIFICALLY THE WARRANTIES OF MERCHANTABILITY AND FITNESS FOR A PARTICULAR PURPOSE. THERE ARE NO WARRANTIES, WHICH EXTEND BEYOND THE DESCRIPTION OF THE FACE HEREOF.



P.O. Box 405003 * Cincinnati, Ohio 45240-5002
1-800-422-2525 Domestically
1-513-870-3315 Internationally
www.opw-fc.com

Copyright, 2002 – OPW Fueling Components Inc., Cincinnati, OH
Printed in U.S.A. p/n H14991PA 5/05