



# **OPW Installation and Maintenance Instructions**

## **OPW 1-3122 and 1-3132 Series Thread-On Double Wall Grade Level Spill Containers with Electronic Sensor Access Port**

**IMPORTANT:** Please read these warnings and follow the assembly instructions completely and carefully before starting. Failure to do so may cause product failure, or result in environmental contamination due to liquid leakage into the soil, creating hazardous spill conditions.

**IMPORTANT:** The OPW 1-3100 Spill Container is pre-assembled for your convenience and ease of installation. Check to make sure the unit is intact and undamaged and all parts have been supplied. Never substitute parts for those supplied. Doing so may cause product failure.

**WARNING-DANGER:** Using electrically operated equipment near gasoline or gasoline vapors may result in a fire or explosion, causing personal injury and property damage or death. Be sure that the working area is free from such hazards, and always use proper precautions. NOTE: At all times when product is in the storage tank keep the riser pipe capped, so the vapors cannot escape into the environment.

**Notice:** OPW products must be used in compliance with applicable federal, state, and local laws and regulations. Product selection should be based on physical specifications and limitations and compatibility with the environment and material to be handled. All illustrations and specifications in this literature are based on the latest production information available at the time of publication. Prices, materials, and specification are subject to change at any time, and models may be discontinued at any time, in either case, without notice or obligation.

### **Standard Product Warranty**

OPW warrants that products sold by it are free from defects in materials and workmanship for a period of one year from the date of manufacture by OPW (ECO products two years from date of manufacture.) Proof of purchase may be required. As the exclusive remedy under this limited warranty, OPW, will at its sole discretion, repair, replace, or issue credit for future orders for any product that may prove defective within the one year date of manufacture period (repairs, replacements, or credits may be subject to prorated warranty for remainder of the original warranty period, complete proper warranty claim documentation required.) This warranty shall not apply to any product that has been altered in any way, which has been repaired by any party other than a service representative authorized by OPW, or when failure is due to misuse, or improper installation or maintenance. OPW shall have no liability whatsoever for special, incidental or consequential damages to any party, and shall have no liability for the cost of labor, freight, excavation, clean up, downtime, removal, reinstallation, loss of profit, or any other cost or charges.

For any product certified to California 2001 standards, OPW warrants that product sold by it are free from defects in material and workmanship for a period of one year from date of manufacture or one year from date of registration of installation not to exceed 15 months from date of manufacture by OPW.

THIS WARRANTY IS IN LIEU OF ALL OTHER WARRANTIES, EXPRESS OR IMPLIED, AND SPECIFICALLY THE WARRANTIES OF

MERCHANTABILITY AND FITNESS FOR A PARTICULAR PURPOSE. THERE ARE NO WARRANTIES, WHICH EXTEND BEYOND THE DESCRIPTION ON THE FACE HEREOF.

In some states it is prohibited to use spill container drain valves on spill containers that are exclusively used for vapor return risers. Install only 1-3100 Series Thread-On spill container models equipped with a drain plug.

**WARNING:** If the snowplow ring is removed, for any reason, follow the Operation and Maintenance instruction as noted. Replace o-rings and seals and install new ones. Never reuse damaged o-rings or seals as it may result in an improper seal. Only qualified, competent, well-trained technicians should perform maintenance. Common sense and good judgment should always be exercised. The contractor's understanding of all related site conditions prior to starting the project is essential. If the contractor does not have a clear understanding of the required work and site conditions, the contractor is advised to seek clarification prior to starting any portion of the project.

**NOTICE TO DELIVERY DRIVER:** All delivery drivers MUST inspect the inside of the container for water or contaminants other than fuel prior to delivery. If water or contaminants are present, then they MUST be removed before proceeding. Dispose of towels and debris safely and per all applicable local, state, and federal codes. After delivery is complete, the driver MUST drain any excess fuel that may have spilled into the container from their delivery hose.

### **1-3122 & 1-3132 Series Performance Specifications:**

#### **Torque Specification:**

Ring Bolts: 3/8-16 UN, 20 ft-lbs minimum to 25 ft-lbs maximum.

Plug in Secondary Base, 1-1/2" NPT, 100 to 130 ft-lbs.

#### **Tools Recommended**

1-3100-TOOL – Torque Installation Tool  
9/16", 7/8", and 1-7/16" hex socket  
Torque wrench  
Large slotted screwdriver

**Note: No bucket disassembly is required to install this product.**

**The 1-3122 series of products is compatible with sensors that are 1-1/2" in diameter or less and 4" or less in height. Sensors that are known to meet these dimensions are OPW FMS 30-3221-1A, OPW FMS 30-3221-1B, VR 794390-420, & VR 794390-460. The grommet supplied with the sensor must have third party approval. The 1-3132 series of products is supplied with an OPW FMS 30-3221-1A sensor.**

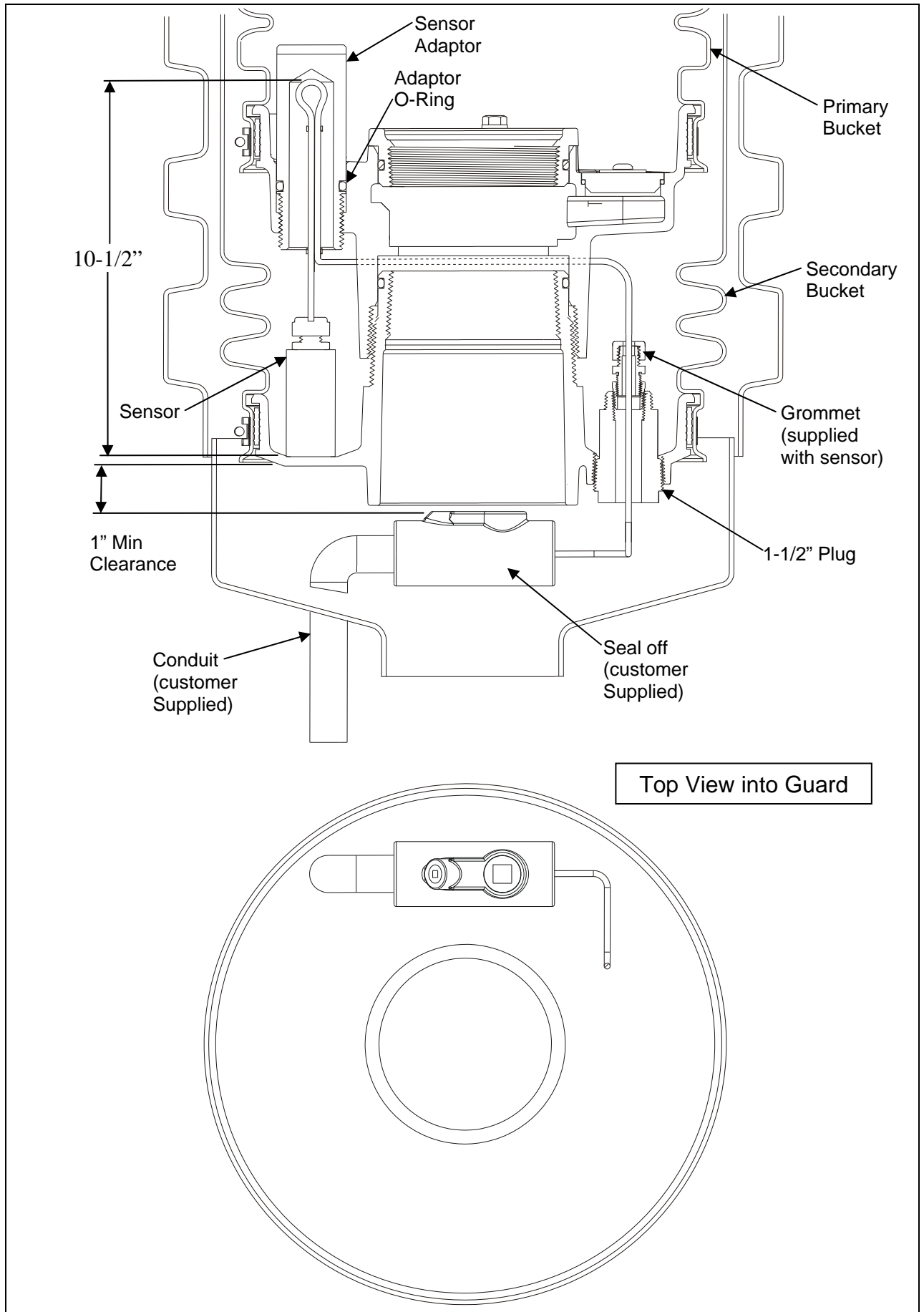


Figure 1

## 1-3100 SERIES ELECTRONIC SENSOR INSTALLATION INSTRUCTIONS

(Only applies to 1-3122 & 1-3132 models)

For 1-3132 models skip to Step 6.

### Step 1: (See Figure 2)

Before installing spill container onto riser pipe remove 1-1/2" Plug from secondary base using a 1-7/16" wrench. Check the sensor that is going to be installed to ensure that it works properly.

### Step 2: (See Figure 2)

Remove 3/8" Plug from 1-1/2" Plug. The 1-1/2" plug comes with the capability to handle 1/2" NPT or 3/8" NPT threads, the included bushing can be removed if 1/2" NPT threads are needed. Install grommet with pipe dope into plug and tighten per manufacturer's instructions. Pipe dope to be a non-hardening, gasoline resistant pipe thread seal compound. Pass sensor wiring thru grommet (supplied with sensor) and plug. At least 4 feet of wire should be between the sensor and the grommet, tighten grommet per manufacturer's instructions (Note: All joints must be vacuum tight).

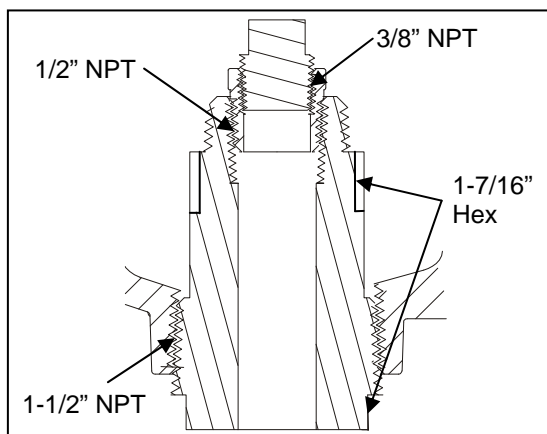


Figure 2

### Step 3: (See Figures 1 & 3)

Using the two supplied ty-raps wrap a loop in the wire that is 10-1/2" from the bottom of the sensor to the top of the loop as shown in Figure 1. Trim ty-raps after attaching. Ensure enough wire is available for sensor to reach grade for future testing. A service loop should be left in the secondary bucket in case sensor replacement is ever required in the future.

### Step 4: (See Figures 1 & 3)

Remove white sensor adaptor from primary bucket. Pass sensor and wire thru hole in the bottom of the secondary base and fish up thru the hole in the primary base that the sensor adaptor was removed

from. Install 1-1/2" Plug back into bottom of secondary base with pipe dope being careful not to twist sensor wire when tightening. Torque plug to 100 to 130 ft-lbs (Note: a 1-7/16" crow's foot wrench can be used).. Pipe dope to be a non-hardening, gasoline resistant pipe thread seal compound. Ensure sensor wire is not twisted after plug installation.

### Step 5: (See Figure 1)

From this point on in the installation the bucket should be kept in a vertical position as shown in Figure 1. Feed excess wire into secondary bucket. Align sensor with the hole in the primary base where the sensor adaptor will be installed as shown in Figure 1. Ensure sensor is as flat as possible on bottom of secondary base. Inspect o-ring on sensor adaptor replace if it is not in good condition. Thread sensor adaptor back into primary bucket until o-ring is no longer visible (approximately 6 turns), do not overtighten.

### Step 6:

Thread bucket onto riser pipe per installation instructions for 1-3100 Series (p/n 202181) as shown in Steps 1-5. Be careful not to damage sensor wiring during installation of bucket onto riser pipe.

### Step 7: (See Figures 1 & 3)

Attach sensor wiring to conduit as shown in Figures 1 & 3. Ensure adequate clearance (1" or more) is left between secondary base and seal off (customer supplied) to allow for bellows movement. Ensure no obstructions are directly below the plug in the secondary base to enable removal of the plug in the future. Drill hole in guard to allow conduit to pass thru. Attach conduit (customer supplied) to seal off (customer supplied). Use SL-1100 or equivalent to seal around conduit where hole was drilled in guard to prevent backfill from entering. Complete sensor wiring per sensor manufacturer's instructions and all applicable codes and regulations. Ensure sensor is working properly.

### Step 8:

Complete bucket installation per installation instructions for 1-3100 Series (p/n 202181) as shown in Steps 6-11.

Sensor can be tested as required by removing the sensor adaptor and pulling the sensor to grade. The sensor can be tested by flipping it over and checking for an alarm. Alternate test method: Dip the sensor in a cup of water and check for an alarm. Reinstall sensor as in step 5.

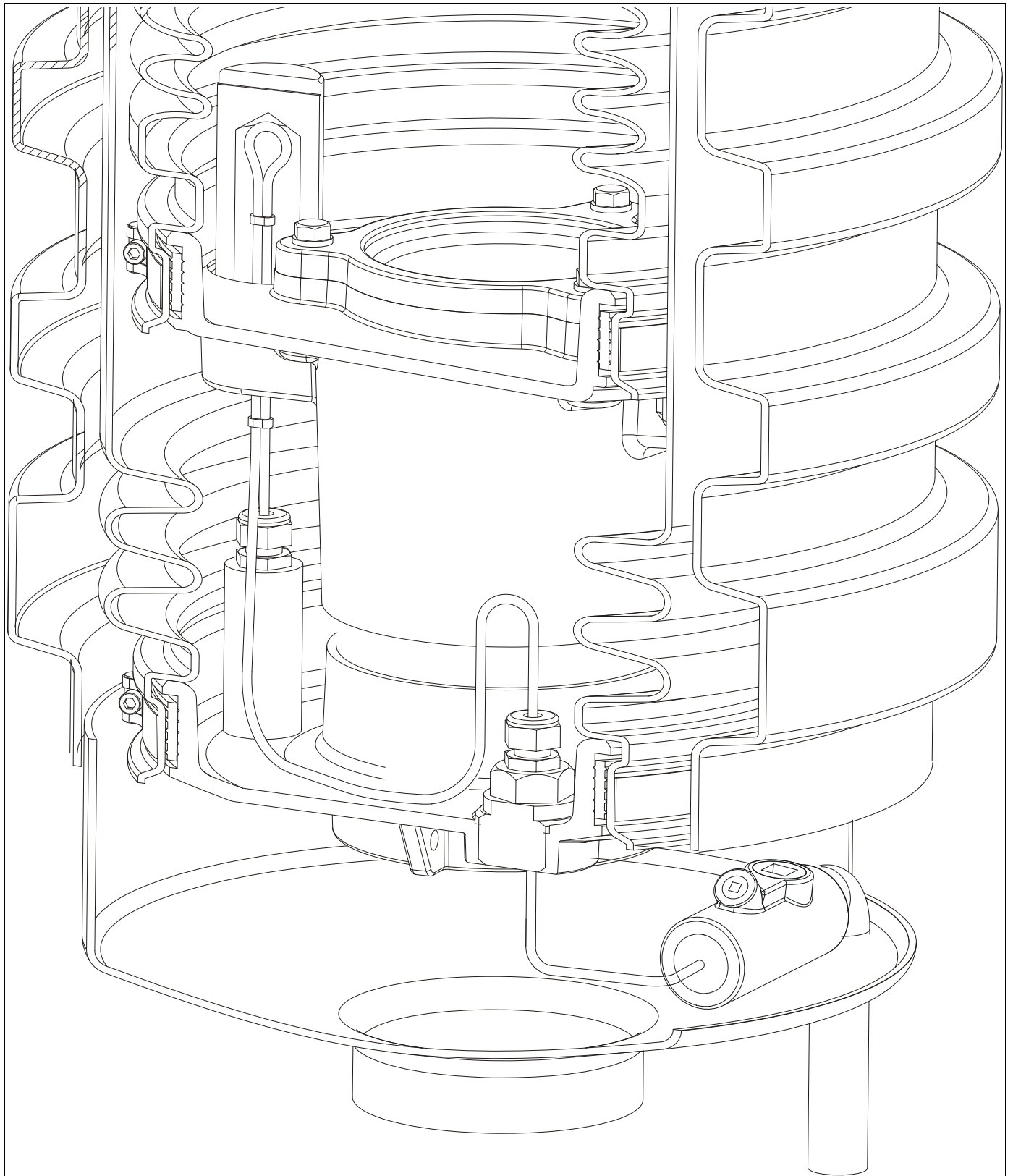


Figure 3



9393 Princeton-Glendale Rd, Hamilton, Ohio 45011  
1-800-422-2525 Domestically  
513-870-3315 Internationally  
[www.opw-fc.com](http://www.opw-fc.com)

Copyright, 2008, OPW Fueling Components Inc., Cincinnati, OH  
Printed in U.S.A., p/n 202574 – 2/09