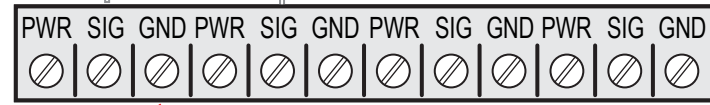


Up to 4 - 924B Mag Probes may be wired in parallel with one home run.

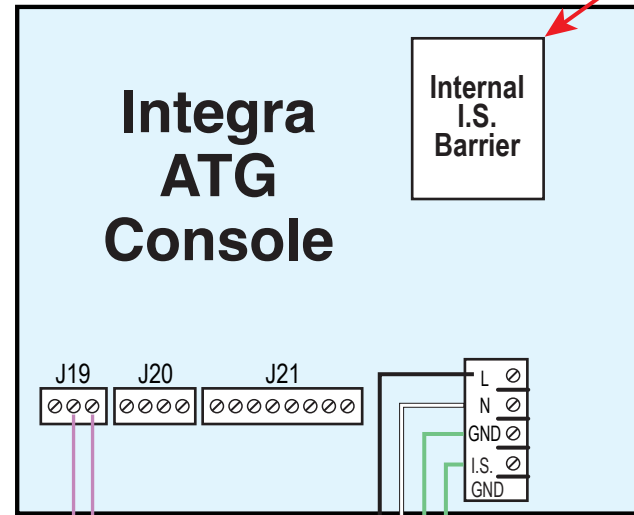
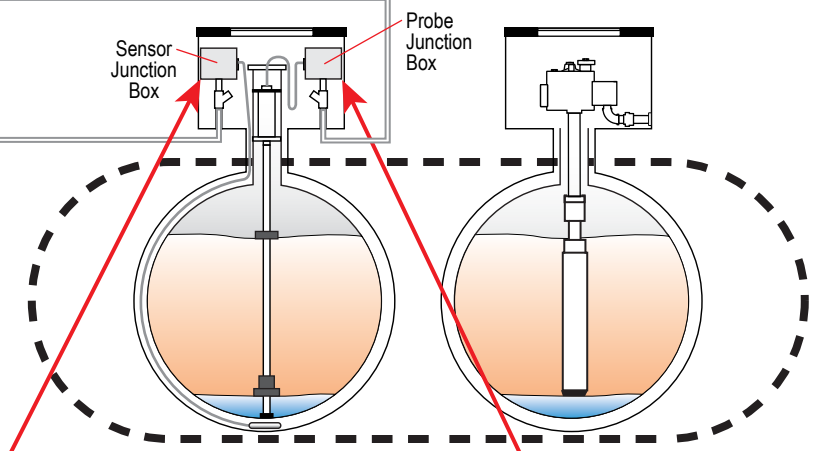
Up to 16 sensors may be wired in parallel with one home run.



12V Barrier

Recommended cable: Belden #88760 (shielded 2-wire twisted pair)

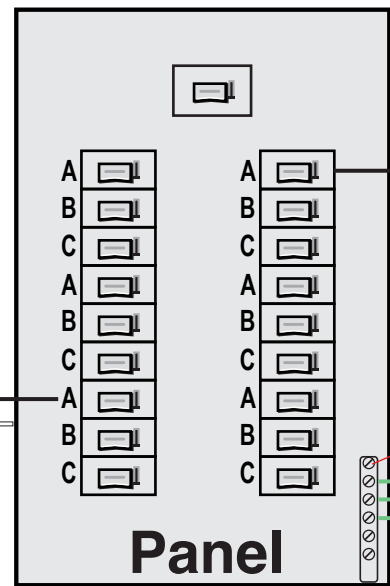
NOTE: NO splices allowed between last device connection and I.S. Barrier.



Integra ATG Console

Internal I.S. Barrier

Line, Neutral, Ground minimum 14 AWG stranded copper



CAUTION: All OPW equipment MUST be on the same phase!

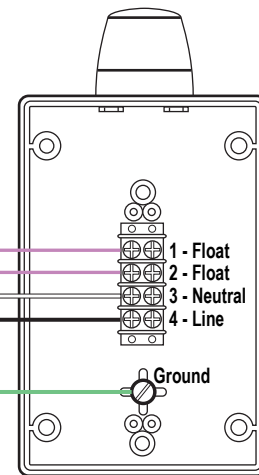
12 AWG minimum stranded copper for I.S. Ground

NOTE: All Grounding Connections must connect to Service Panel Ground Lugs

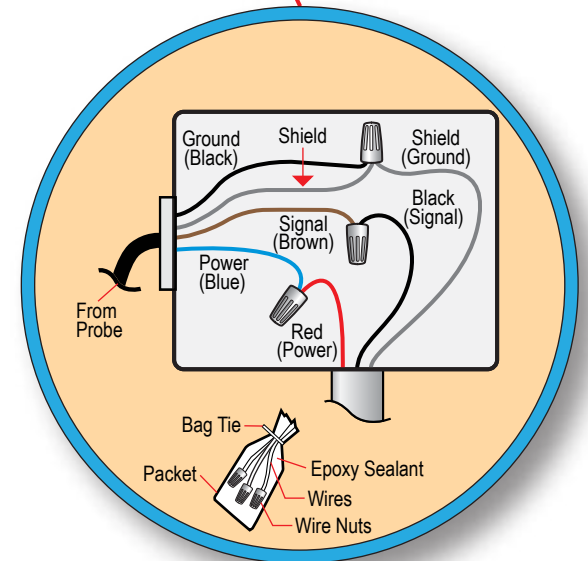
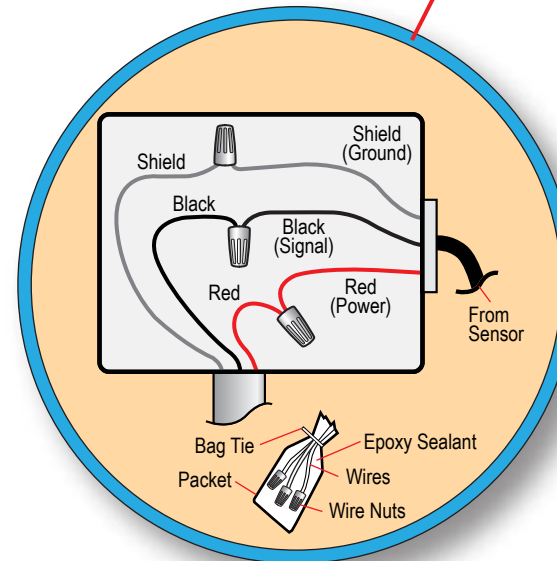
Line, Neutral, Ground minimum 14 AWG stranded copper

Tank Overfill Alarm

NOTE: If continuous alarm is needed, wire Normally Closed (Open under power)



NOTE: Tank Alert Ground must connect to Service Panel Ground Lugs



IMPORTANT: All field wiring must comply with NFPA 30A & 70 as well as all national, state and local electrical codes.

SiteSentinel
Integra 100
Field Wiring Diagram
M00-INTEGRA100, REV. 0