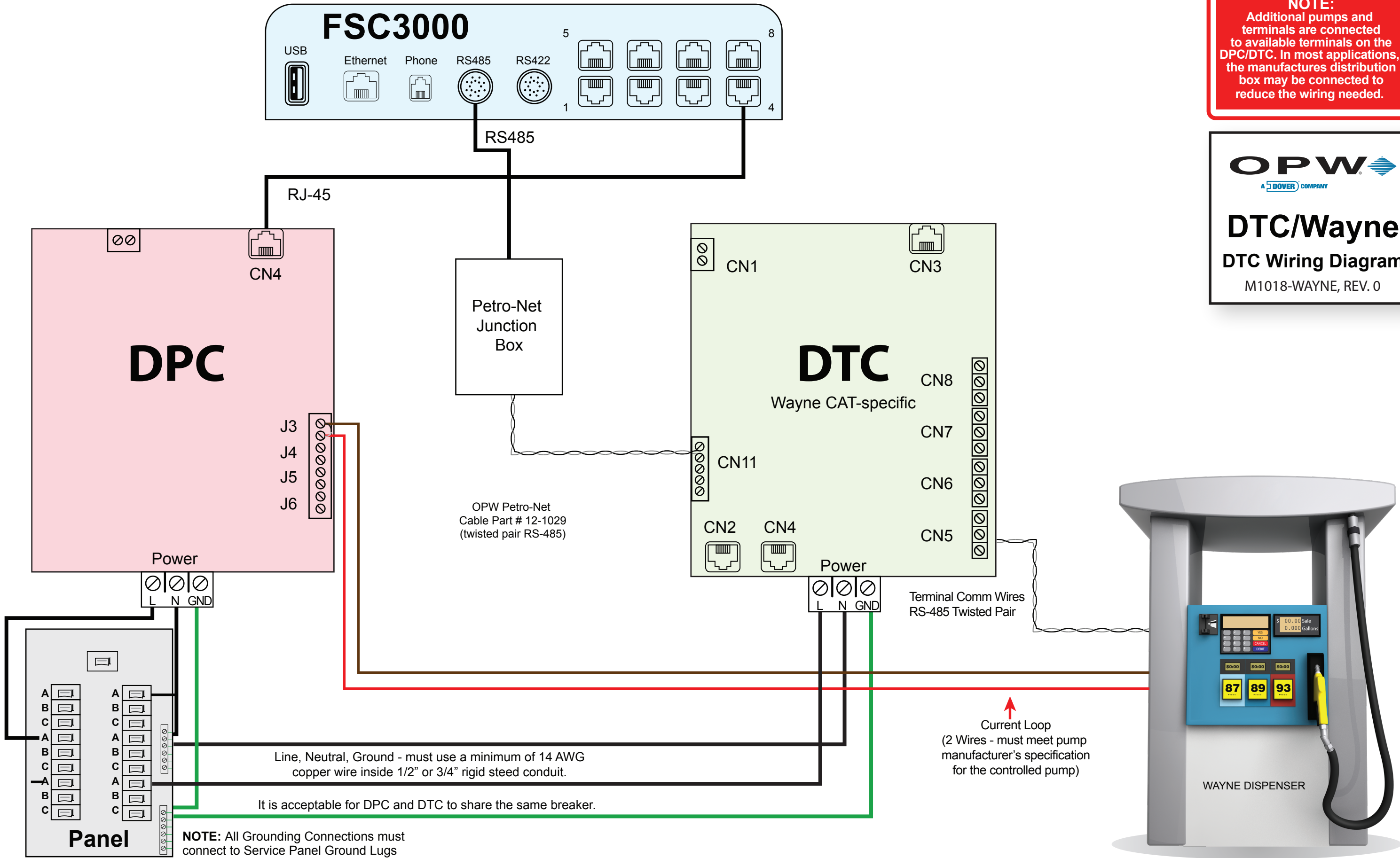


NOTE:
 Additional pumps and terminals are connected to available terminals on the DPC/DTC. In most applications, the manufacturer's distribution box may be connected to reduce the wiring needed.

OPW
 A DOVER COMPANY

DTC/Wayne
 DTC Wiring Diagram
 M1018-WAYNE, REV. 0



↑
 Current Loop
 (2 Wires - must meet pump manufacturer's specification for the controlled pump)