

API800 Series Bottom Loading Coupler

Built with a stainless-steel latch release handle and coming in at 8.5kg, the slimline Liquip API800 Series coupler is impressive by any measure. With a robust design and ease of servicing, customers will experience effortless bottom loading. Liquip has considered each detail of the coupler with the user in mind to maximize the safety, performance, service life and quality of the coupler.

Key Features

- API bottom loading coupler with automatic latching
- Fast in-field replacement of all seals on or off the arm
- A range of seals for use to suit a range of applications
- Two operating-handle sizes to suit various applications
- Four true interlocking stainless-steel latches for secure coupling and maximum safety
- Stainless-steel collar and hard-anodized body for increased service life and durability
- Stainless-steel latch release handle for long-term strength and durability
- High-quality components for increased operating life
- Increased site safety via minimal product leakage during disconnect
- Vastly reduced risk of leakage through new sealing design
- Improved ergonomic operating handle and carry loop during use with less physical strain on users



Adjustment or Service

Refer to Maintenance Instructions document.

Associated Equipment

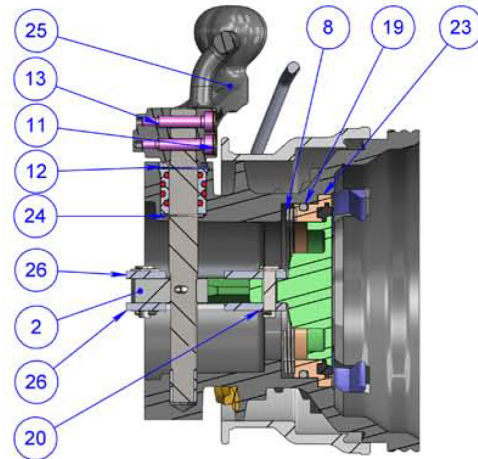
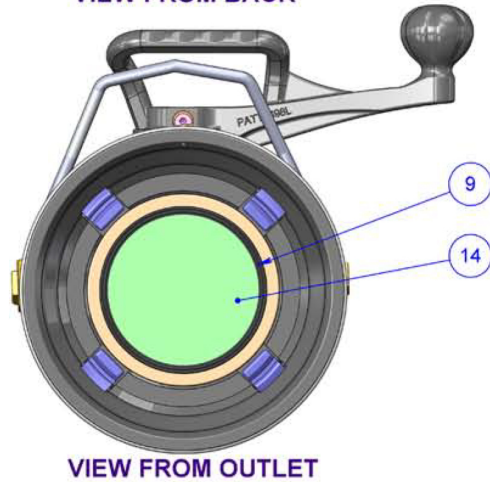
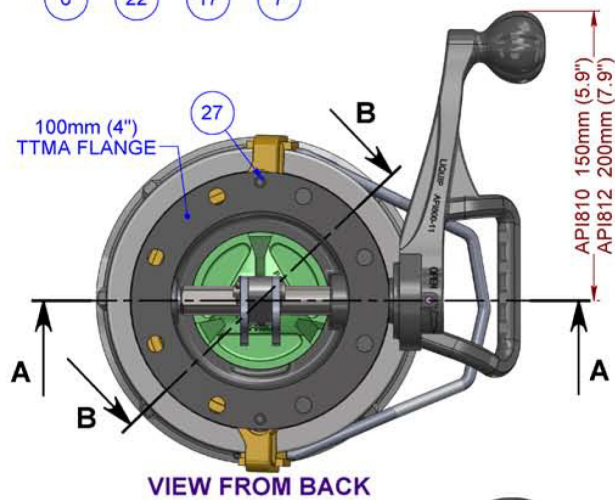
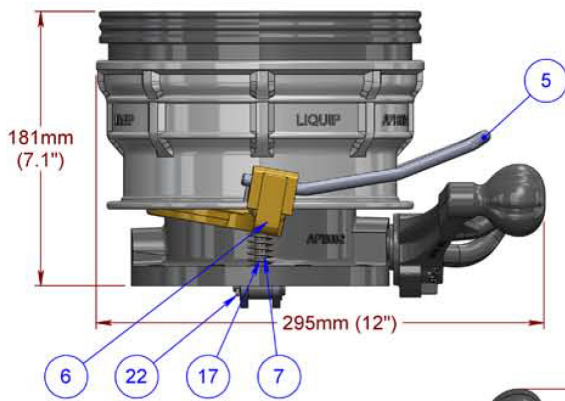
Liquip 'Velvet Touch' Loading Arms.

Specifications

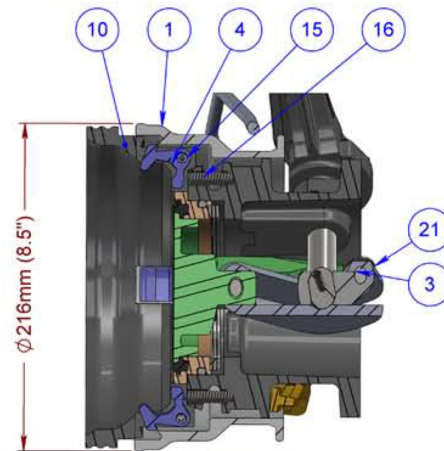
Technical Data	<ul style="list-style-type: none"> • API810 has 150mm-long handle, API812 has 200mm-long handle, Viton® B seals • API810VG & API812VG have Viton® GFLT seals - recommended for ethanol blends
Test Pressure	820 kPa (119psi) (8.2bar)
Max Working Pressure	550 kPa (80psi) (5.5bar)
Design Pressure	2500 kPa (363psi) (25bar)
Max Surge Pressure	3400 kPa (493psi) (34bar)
Operating Temperature	-20°C to 80°C (-4°F to 176°F) -40°C to 60°C (-40°F to 140°F)
Design Standard	API RP 1004 8th EDITION 2003 - Bottom Loading and Vapor Recovery
Dismantling	Removal of one roll pin enables the shaft assembly and main poppet to be withdrawn
Mounting	<ul style="list-style-type: none"> • By industry standard 100mm (4") TTMA Flange • 8 holes Ø11mm on 149mm PCD, 168mm outside diameter (Ø7/16" on 5.8" PCD, 6.6" OD) • Use spring washers when mounting coupler as per common industry practice
Weight	8.5kg (18.7lbs)

Viton® is a registered trademark of DuPont Dow Elastomers.

API800 Series Bottom Loading Coupler



SECTION A-A



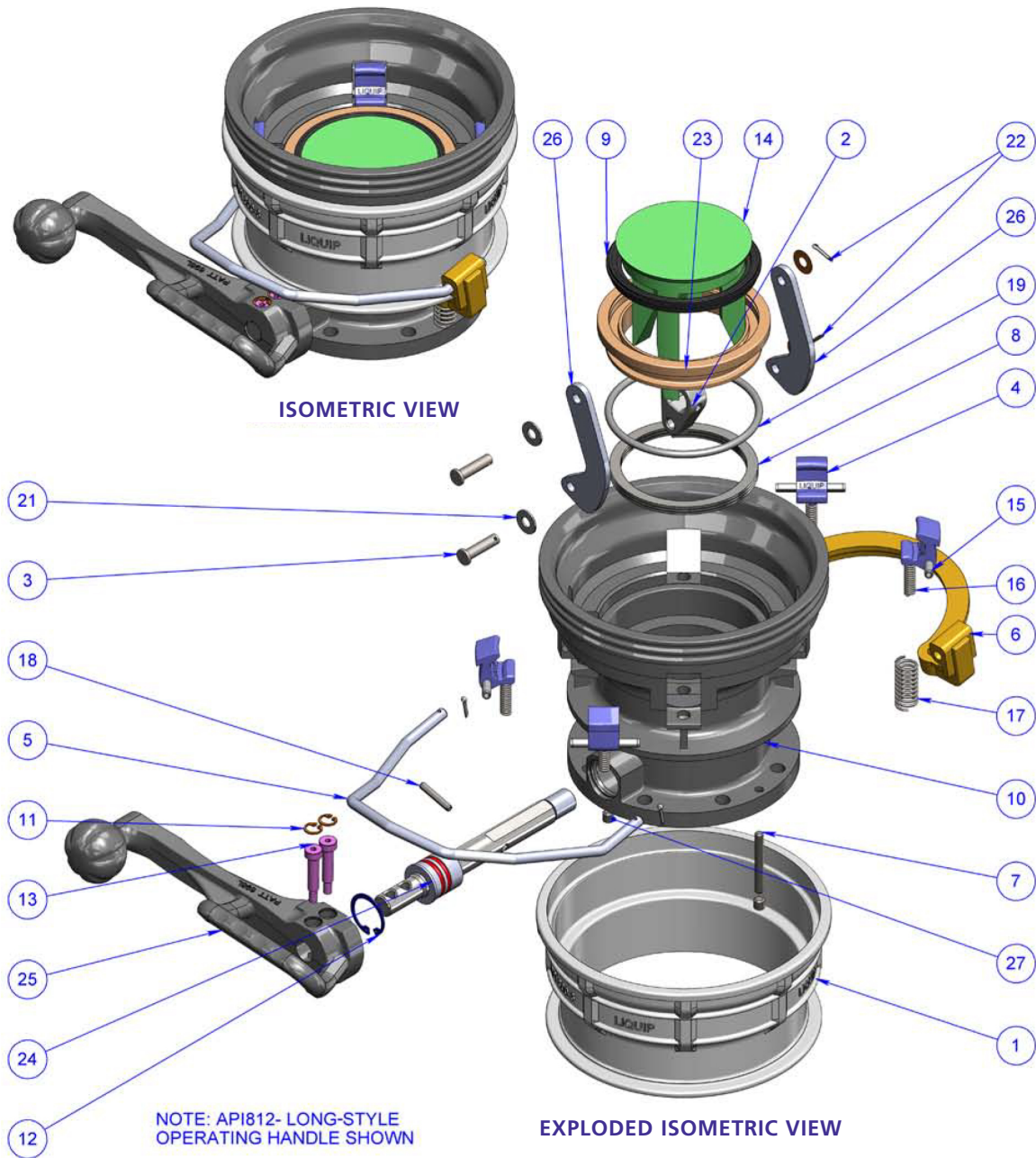
SECTION B-B

NOTE: API812- LONG-STYLE OPERATING HANDLE SHOWN

API800 Series Bottom Loading Coupler

ITEM	PART No.	DESCRIPTION	API810	API812	API810VG	API812VG	MATERIAL
1	API800-3	Outer Body (Collar)	1	1	1	1	St Steel
2	API800-8	Cam Eccentric	1	1	1	1	St Steel
3	API800-12	Pin Clevis	2	2	2	2	Steel
4	API725-4	Latch Collar Interlock	4	4	4	4	St Steel
5	API555-6	Handle - Outer Body Ring	1	1	1	1	St Steel
6	API555-10	Lever Outer Body	1	1	1	1	Aluminum
7	API800-13	Pin - Spring Return	2	2	2	2	St Steel
8	6182	Spring Spirawave	1	1	1	1	Spring Steel
9	API800-1	Seal Product	1	1	-	-	Viton® B
9	API800-1VG	Seal Product	-	-	1	1	Viton® GFLT
10	API800-2	Body API800 Coupler	1	1	1	1	Aluminum
11	55075	Circlip Internal	2	2	2	2	St Steel
12	55074	Circlip Internal	1	1	1	1	St Steel
13	55073	Capscrew Shoulder Metric	2	2	2	2	Z/P Steel
14	API800-9	Poppet 4"	1	1	1	1	Aluminum
15	0927	Spring (Sellok) Pin	4	4	4	4	Z/P Steel
16	6171	Spring Compression	4	4	4	4	St Steel
17	4497	Spring - Return	2	2	2	2	Spring Steel
18	55072	Spring (Sellok) Pin	1	1	1	1	St Steel
19	0203	O-ring	1	1	-	-	Viton® B70
19	0203VG	O-ring	-	-	1	1	Viton® GFLT
20	5351	Washer Flat Thin	2	2	2	2	St Steel
21	0101	Washer Flat	2	2	2	2	Z/P Steel
22	0762	Split Cotter Pin	4	4	4	4	St Steel
23	API800-4	Poppet Adaptor Ring	1	1	1	1	Aluminum
24	API800-5A	Shaft and Bush Assy	1	1	-	-	Steel, Viton® A & Acetal
24	API800-5AVG	Shaft and Bush Assy	-	-	1	1	Steel, Viton® GFLT & Acetal
25	API800-15	Short-Style Operating Handle	1	-	1	-	Aluminum
25	API800-11	Long-Style Operating Handle	-	1	-	1	Aluminum
26	API800-6	Camplate for API Couplers	2	2	2	2	Steel 700MPa
27	3227	Grubscrew Met	2	2	2	2	Blk Steel

API800 Series Bottom Loading Coupler



ISOMETRIC VIEW

EXPLODED ISOMETRIC VIEW

NOTE: API812- LONG-STYLE OPERATING HANDLE SHOWN