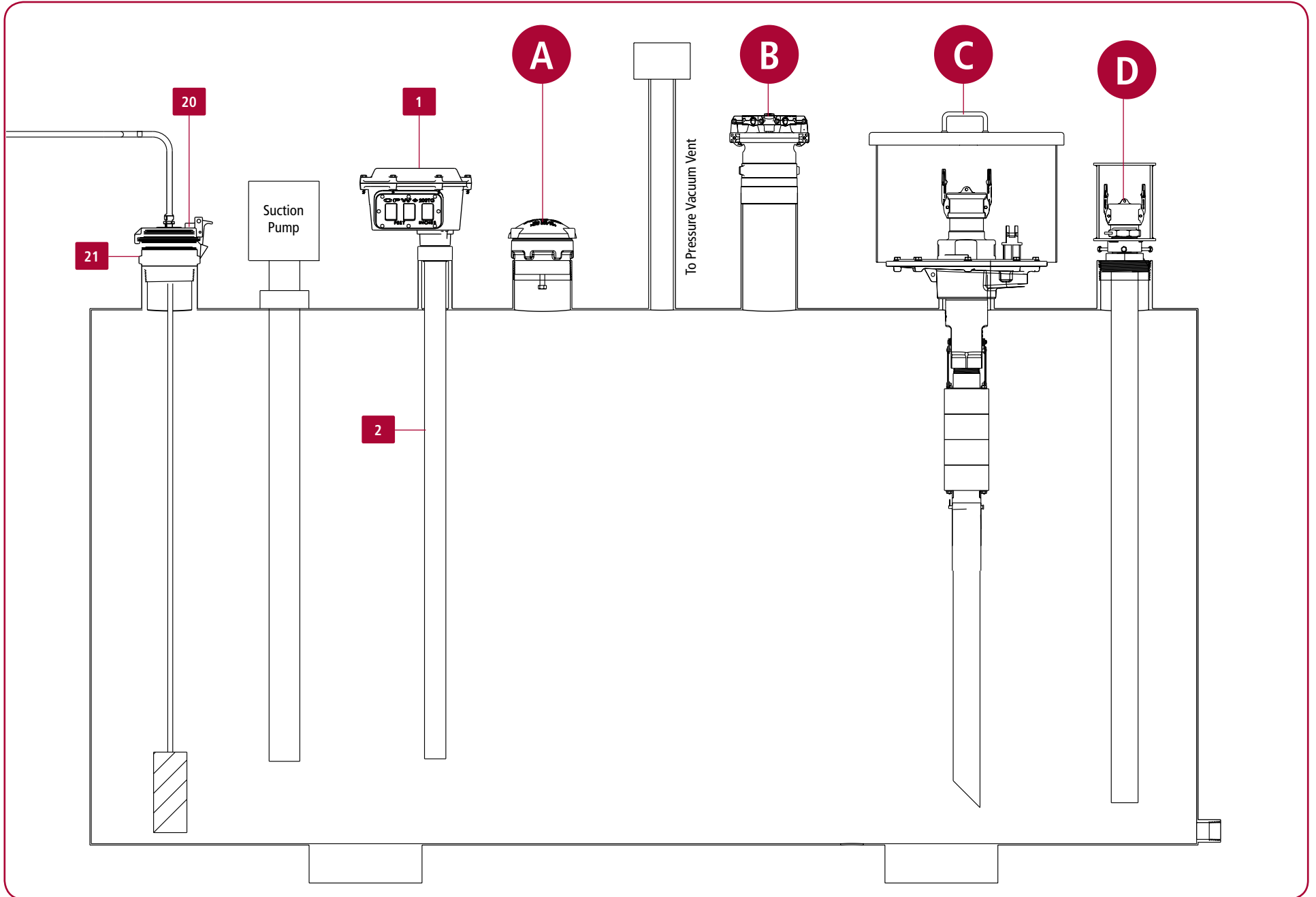
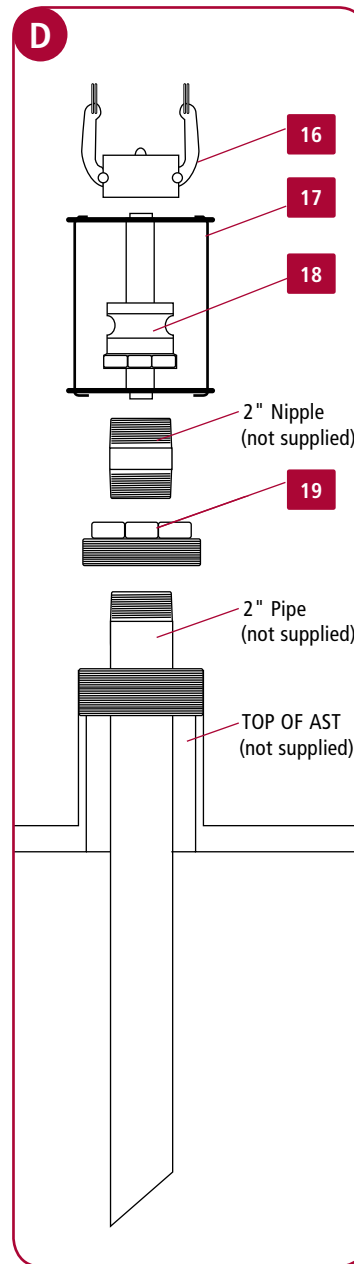
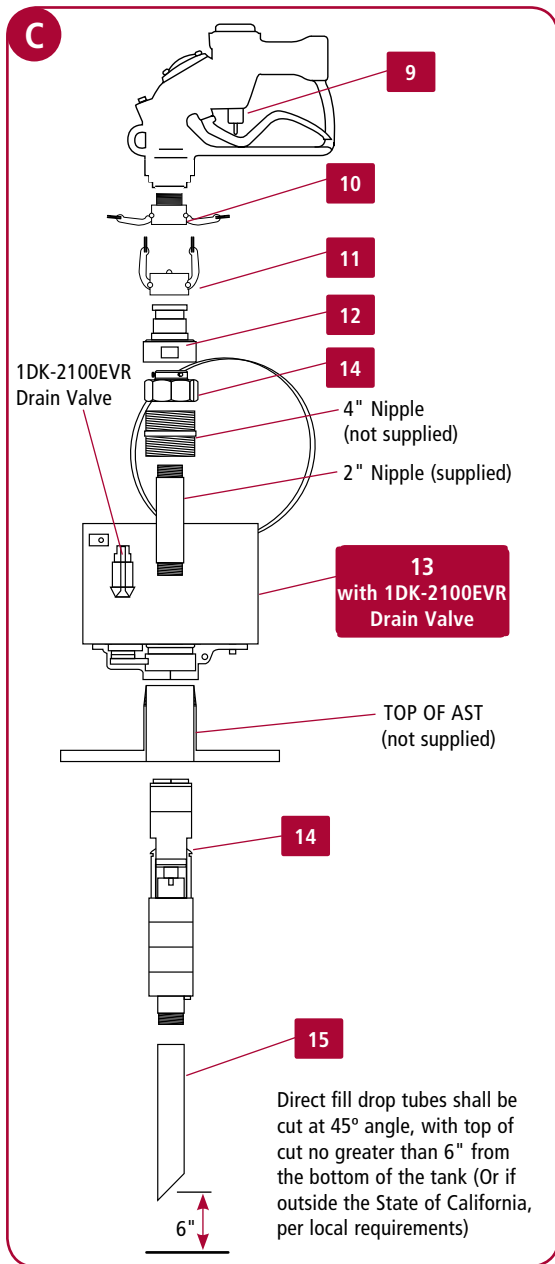
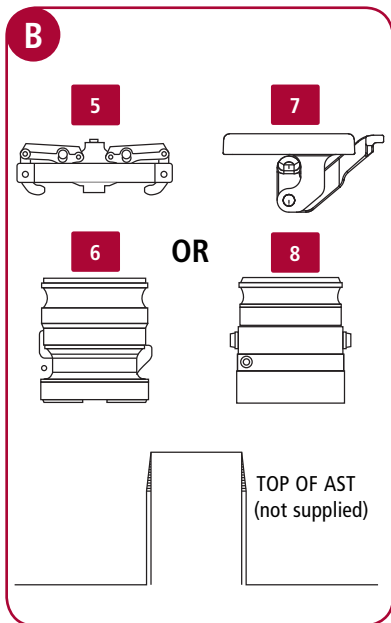
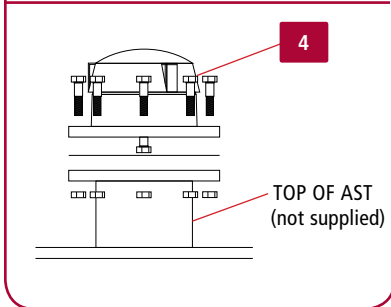
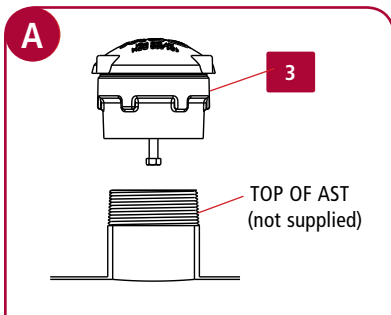


Above Ground Storage Tank - Direct Fill

Typical Non-EVR Direct Fill AST Application



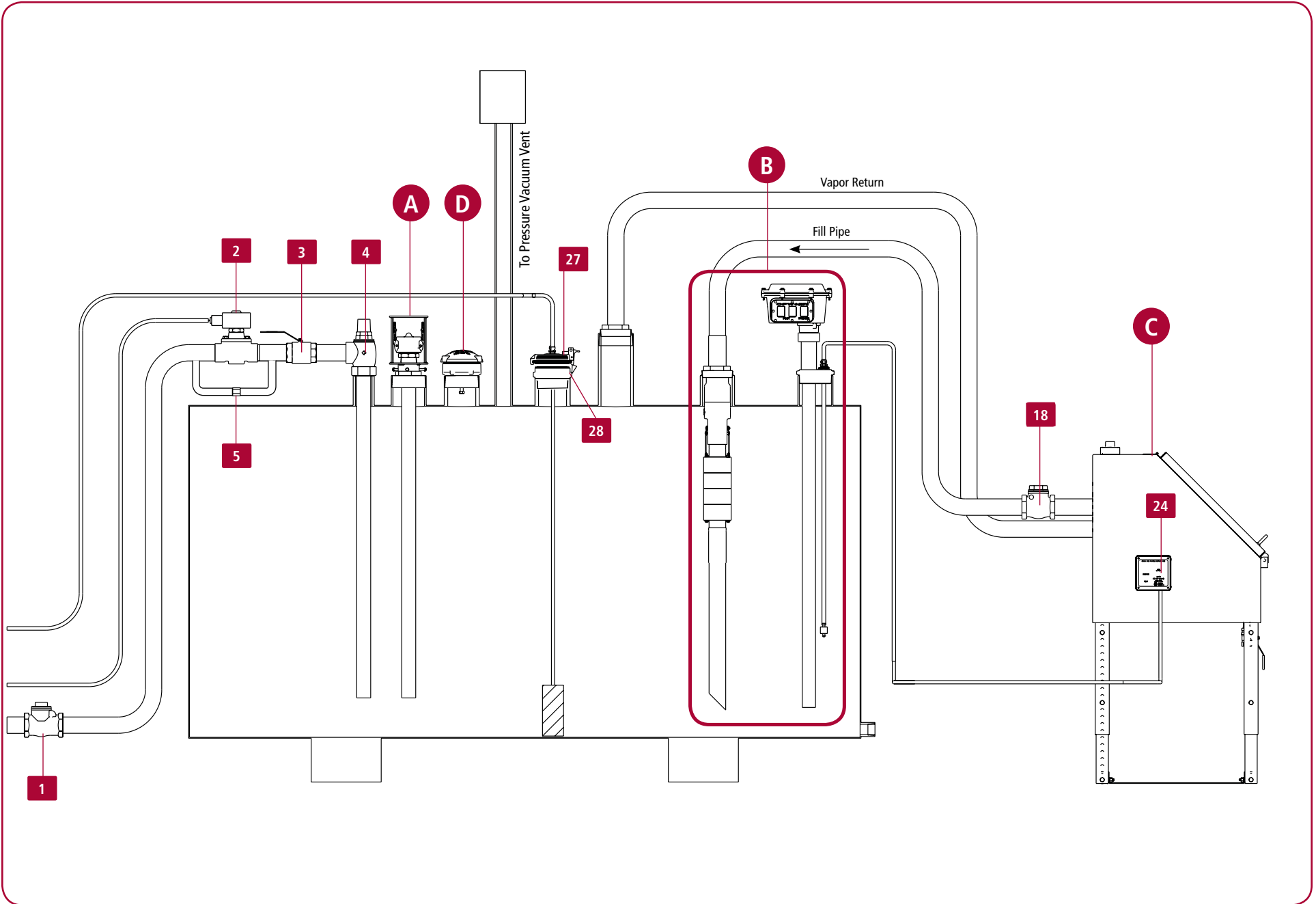


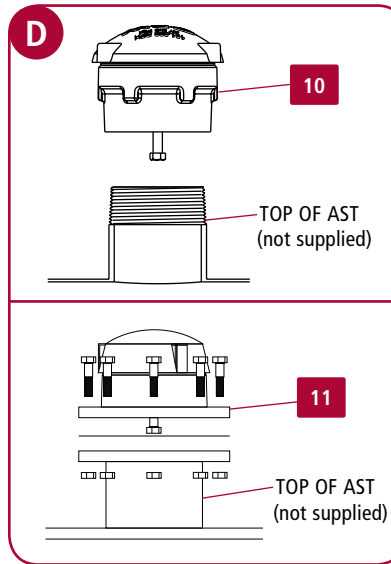
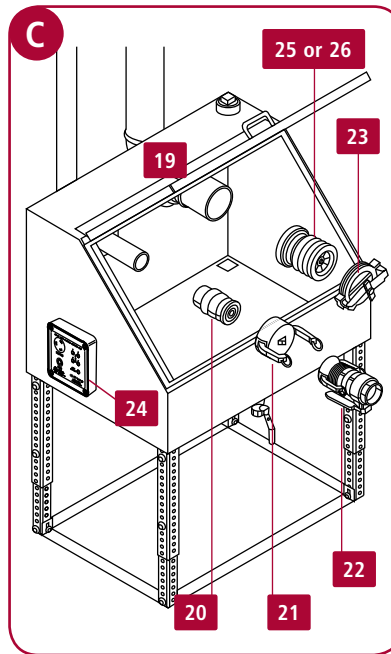
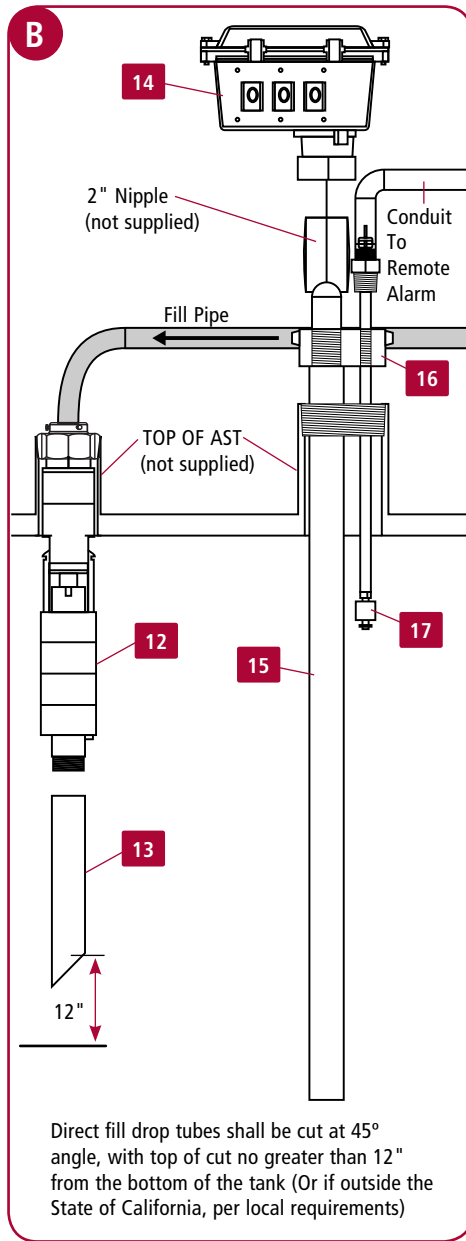
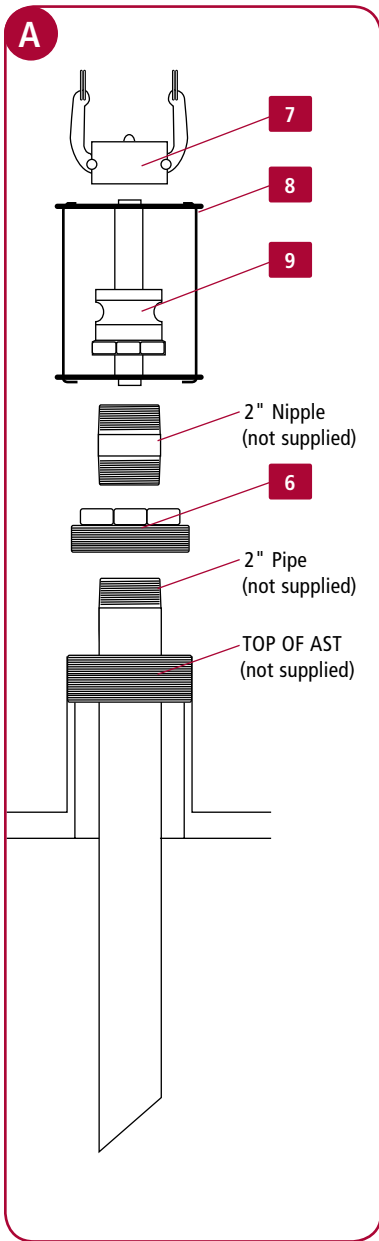
PRODUCT KEY		
	OPW PART / DESCRIPTION	PAGE
1	200TG-ENG Series Tank Gauge (optional / see Note below)	224
2	61T Series Drop Tube	224
3	301 Series Emergency Vent - NPT Mount (See Vent Size Configuration Guide on page 216)	226
4	301 Series Emergency Vent - Flanged Mount (See Vent Size Configuration Guide on page 216)	226
5	1711T-7085-EVR Cap	97
6	1611AV Series Vapor Recovery Adaptor	96
7	1711LPC-0300 Low Profile Cap	97
8	61VSA Series Vapor Recovery Adaptor	95
9	190 or 210 High-Flow Bulk Nozzle	188, 192
10	633BD Kamlok™ Coupler	222
11	A) 634B-0150 Dust Cap or 634BK-0090 Lockable Dust Cap fits 633AST-2061 Spout Adaptor B) 634B-0170 Dust Cap or 634BK-0100 Lockable Dust Cap fits 633AST-3061 Spout Adaptor	222
12	633AST-2061 (2" x 2") or 633AST-3061 (3" x 3") - Tank Inlet Spout Adaptor	222
13	332 Series Spill Container	218
14	61fSTOP-XXXX Series Overfill Prevention Valve	220
15	61FT Series Drop Tube	221
16	634B-0150 or 634BK-0090 Cap	222-223
17	204247 Fill Prevention Cage	222
18	633AST Series Adaptor	222
19	53-00XX Series Double Tapped Bushing	128
20	62M Series Monitoring Probe Cap & Adaptor	98
21	FSA-400 Face Seal Adaptor	57

NOTE: The OPW 200TG and 144TA/444TA are not required for EVR compliance, but if a tank gauge or tank alarm is used on your tank that these two OPW products are the only CARB AST EVR certified tank gauge and alarm.

Above Ground Storage Tank - Remote Fill - Remote Dispensing

Typical Non-EVR Remote Fill / Remote Dispensing AST Application





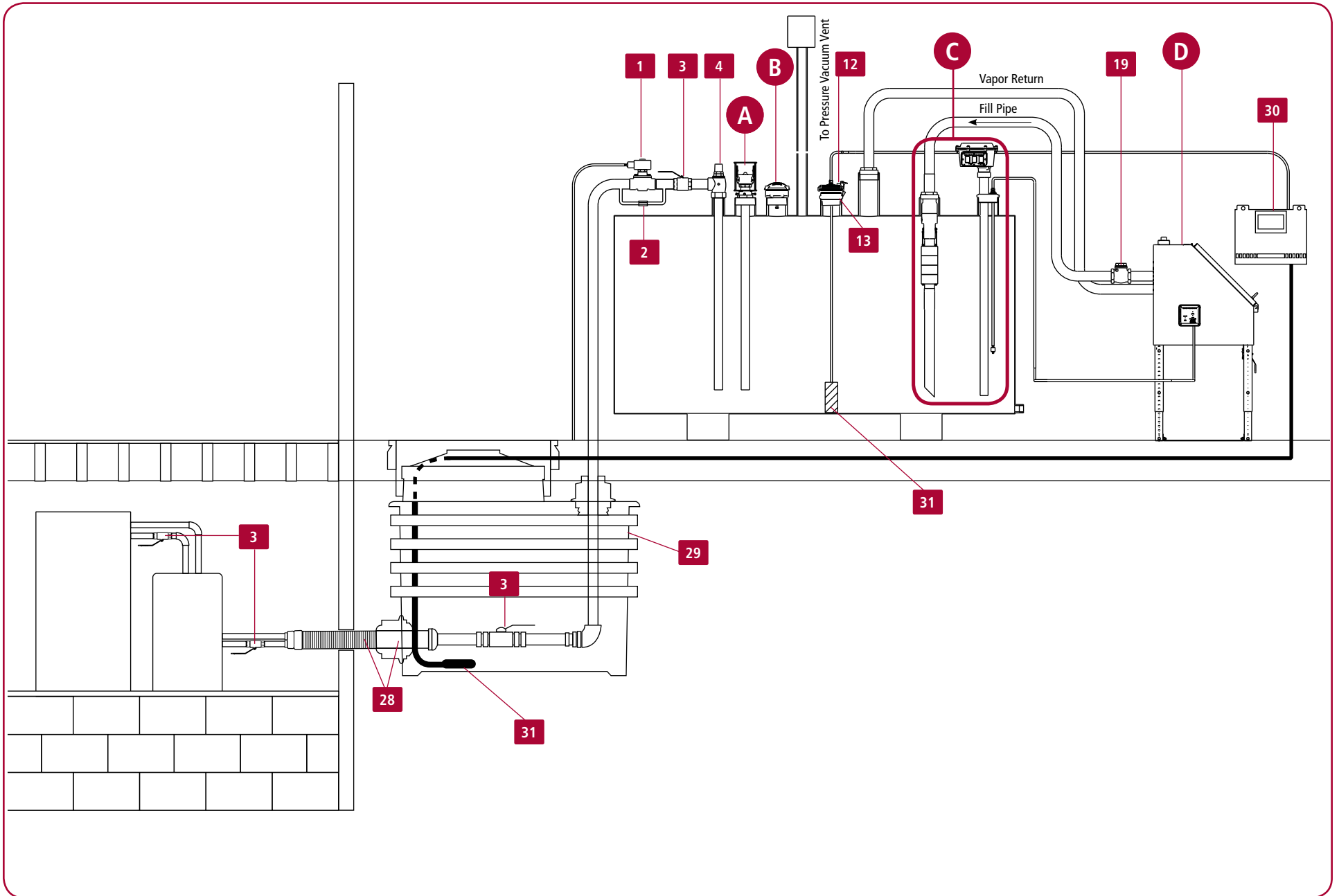
NOTE: The OPW 200TG and 144TA/444TA are not required for EVR compliance, but if a tank gauge or tank alarm is used on your tank that these two OPW products are the only CARB AST EVR certified tank gauge and alarm.

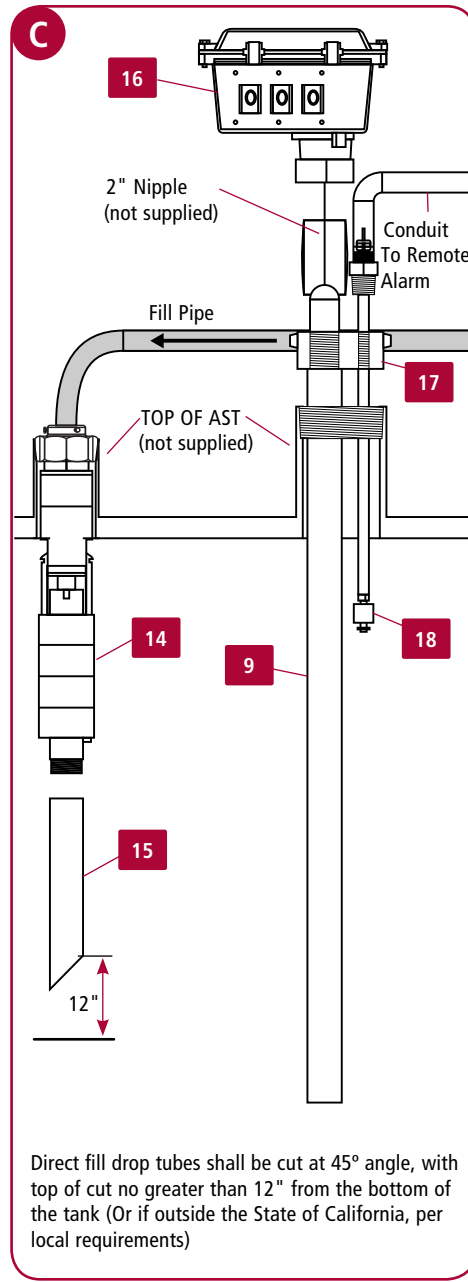
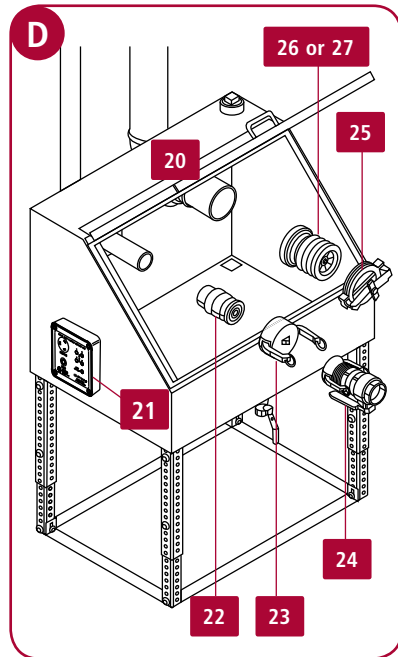
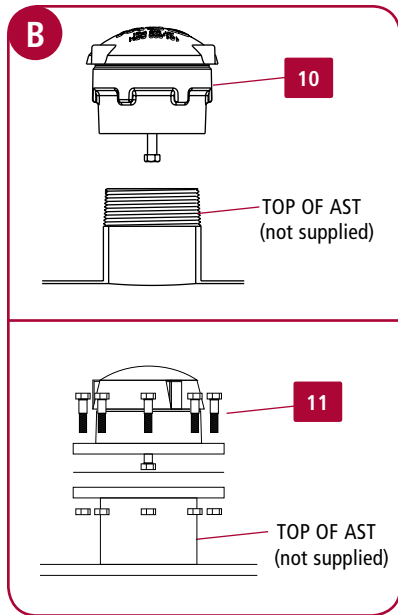
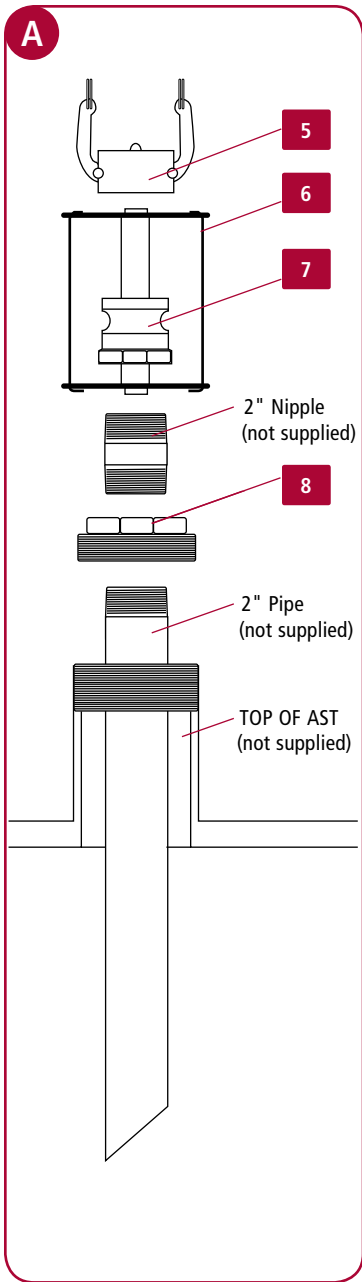
PRODUCT KEY

KEY	OPW PART / DESCRIPTION	PAGE
1	178S Series Emergency Valve	235
2	821 Series Solenoid Valve	233
3	21BV Series Ball Valve	234
4	199ASV Series Anti-Siphon Valve	232
5	82RV Series Pressure Relief Valve	233
6	53-00XX Series Double Tapped Bushing	127
7	634B-0150 or 634BK-0090 Cap	222-223
8	204247 Fill Prevention Cage	222
9	633AST-2190 Adaptor	222
10	301 Series Emergency Vent - Threaded Mount (See Vent Size Configuration Guide on page 216)	226
11	301 Series Emergency Vent - Flanged Mount (See Vent Size Configuration Guide on page 216)	226
12	61fSTOP-XXXX Series Overfill Prevention Valve	220-221
13	61FT Series Drop Tube	221
14	200TG-ENG Series Tank Gauge (optional / see Note below)	224
15	61T Series Drop Tube	224
16	TGTA-0400 4" Gauge/Alarm Combo Fitting (optional)	225
17	44TA-LLFS Liquid Level Float Switch	225
18	175 Series Swing Check Valve	236
19	6211R Series Remote Spill Container	219
20	1611AN-0200 or 1612AN-0200 - 2" Remote Fill or 1611AN-0300 or 1612AN-0300 - 3" Remote Fill Kamvalok Adaptor	223
21	A) 634B-0140 Dust Cap fits 633AST-0150 Adaptor B) 634B-0150 Dust Cap fits 633AST-2061 or 633AST-0200 Adaptor C) 634B-0160 Dust Cap fits 1611AN-0200 or 633ST-0250 or 1611AN-2040 or 1612AN-2040 Adaptors D) 634B-0170 Dust Cap fits 1611AN-3060 or 1612AN-3060 Adaptors	222
22	1711D / 1712D Series Kamvalok Coupler	223
23	1711T-7085-EVR Cap or 1711LPC-0300 Low Profile Cap	97
24	144TA/444TA Series Tank Alarm (optional / see Note below)	225
25	1611AV Vapor Recovery Adaptor	96
26	61VSA Series Vapor Recovery Adaptor	95
27	62M Series Monitoring Probe Cap & Adaptor	98
28	FSA-400 Face Seal Adaptor	57

Above Ground Storage Tank - Remote Fill

Typical Diesel/Fuel Oil/Generator Application





Direct fill drop tubes shall be cut at 45° angle, with top of cut no greater than 12" from the bottom of the tank (Or if outside the State of California, per local requirements)

PRODUCT KEY

OPW PART / DESCRIPTION		PAGE
1	821 Series Solenoid Valve	233
2	82RV Series Pressure Relief Valve	233
3	21BV Series Ball Valve	234
4	199ASV Series Anti-Siphon Valve	232
5	634B-0150 or 634BK-0090 Cap	222-223
6	204247 Fill Prevention Cage	222
7	633AST-2190 Adaptor	222
8	53-00XX Series Double Tapped Bushing	128
9	61T Series Drop Tube	224
10	301 Series Emergency Vent - NPT Mount (See Vent Size Configuration Guide on page 216)	226
11	301 Series Emergency Vent - Flanged Mount (See Vent Size Configuration Guide on page 216)	226
12	62M Series Monitoring Probe Cap & Adaptor	98
13	FSA-400 Face Seal Adaptor	57
14	61fSTOP-XXXX Series Overfill Prevention Valve	220-221
15	61FT Series Drop Tube	221
16	200TG-ENG Series Tank Gauge (optional / see Note below)	224
17	TGTA-0400 4" Gauge/Alarm Combo Fitting	225
18	44TA-LLFS Liquid Level Float Switch	225
19	175 Series Swing Check Valve	236
20	6211R Series Remote Spill Container	219
21	144TA/444TA Series Tank Alarm (optional / see Note below)	225
22	1611AN-0200 or 1612AN-0200 - 2" Remote Fill or 1611AN-0300 or 1612AN-0300 - 3" Remote Fill Kamvalok Adaptor	223
23	A) 634B-0140 Dust Cap fits 633AST-0150 Adaptor B) 634B-0150 Dust Cap fits 633AST-2061 or 633AST-0200 Adaptor C) 634B-0160 Dust Cap fits 1611AN-0200 or 633ST-0250 or 1611AN-2040 or 1612AN-2040 Adaptors D) 634B-0170 Dust Cap fits 1611AN-3060 or 1612AN-3060 Adaptors	222
24	1711D / 1712D Series Kamvalok Coupler	223
25	1711T-7085-EVR Cap or 1711LPC-0300 Low Profile Cap	97
26	1611AV Vapor Recovery Adaptor	96
27	61VSA Series Vapor Recovery Adaptor	95
30	Automatic Tank Monitoring & Leak Detection Equipment	242-249
31	Probes & Sensors for Liquid & Vapors	250-261
28	Flexible Piping Systems for Fuel Oil & Generator Applications	39
29	Underground Containment Systems	40

NOTE: The OPW 200TG and 144TA/444TA are not required for EVR compliance, but if a tank gauge or tank alarm is used on your tank that these two OPW products are the only CARB AST EVR certified tank gauge and alarm.

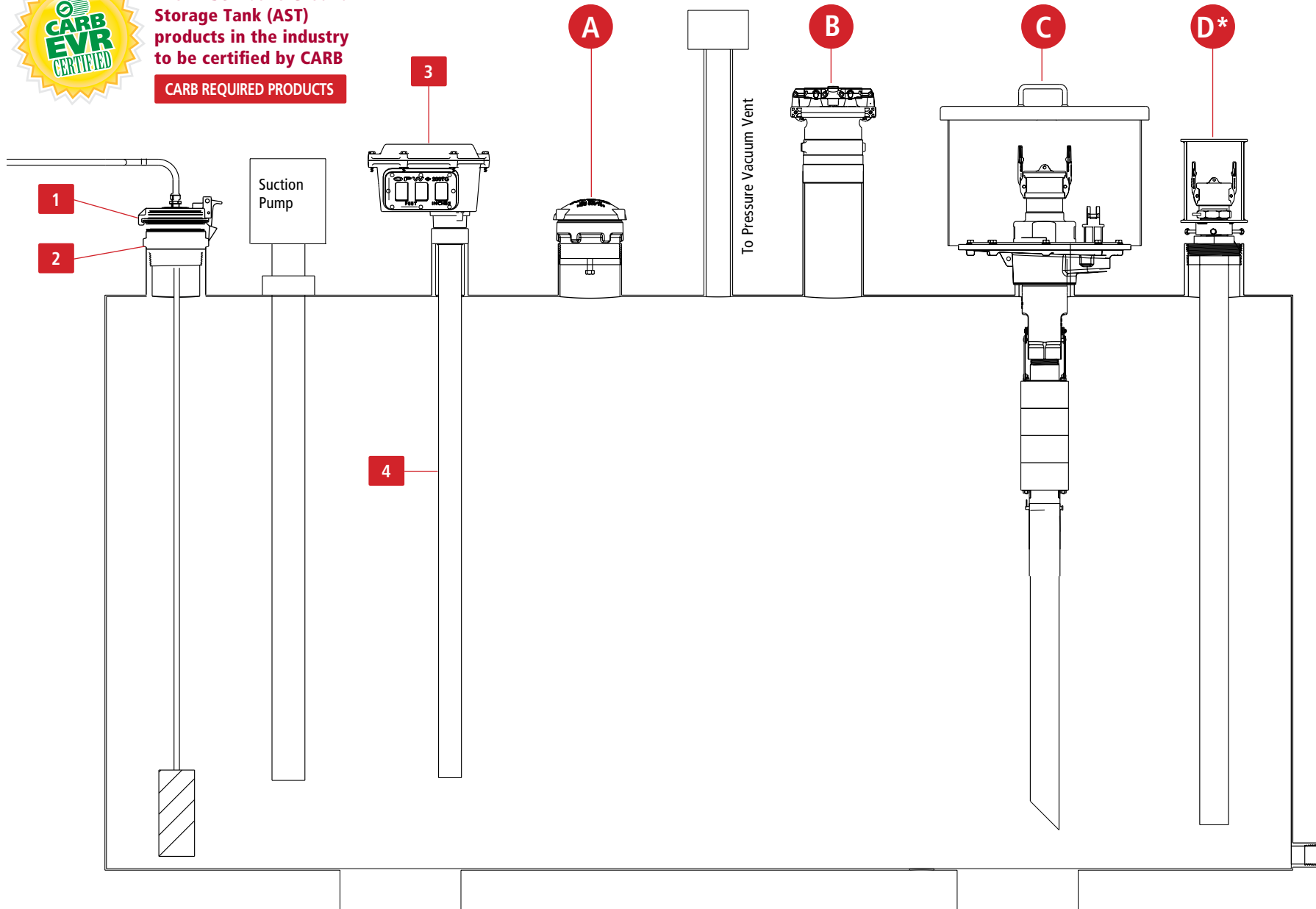
Above Ground Storage Tank - Direct Fill

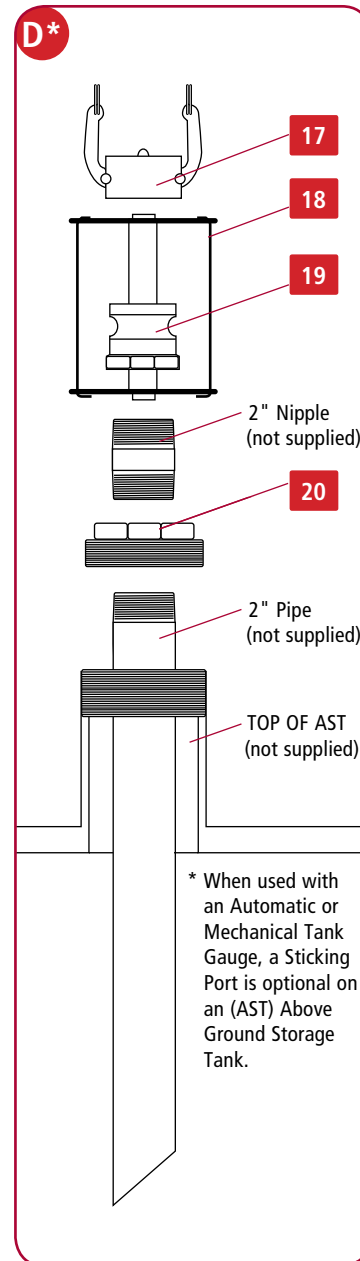
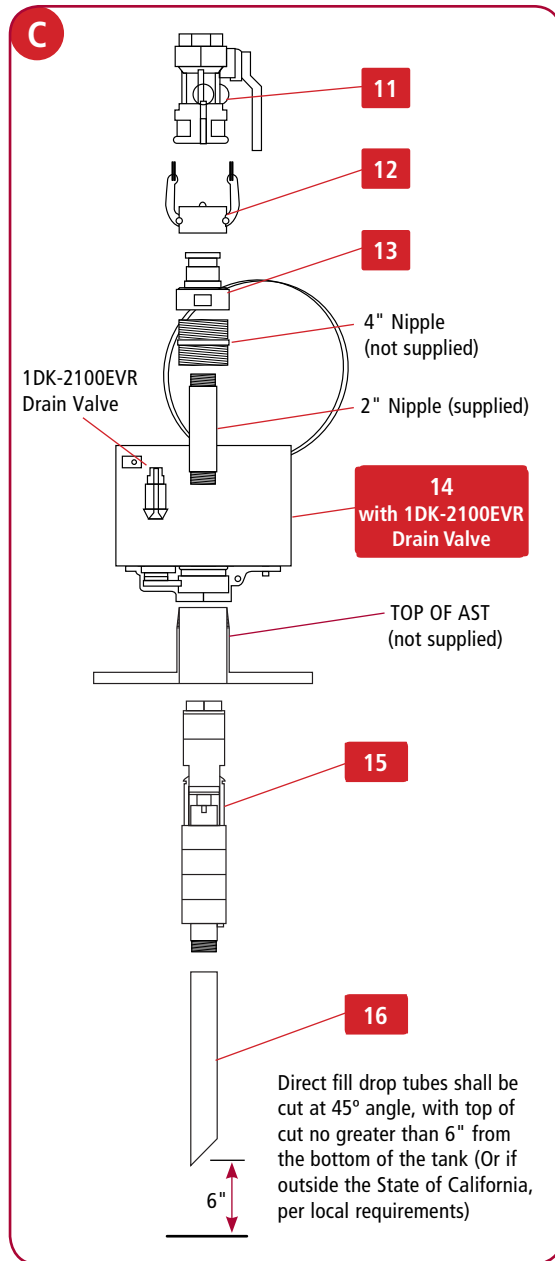
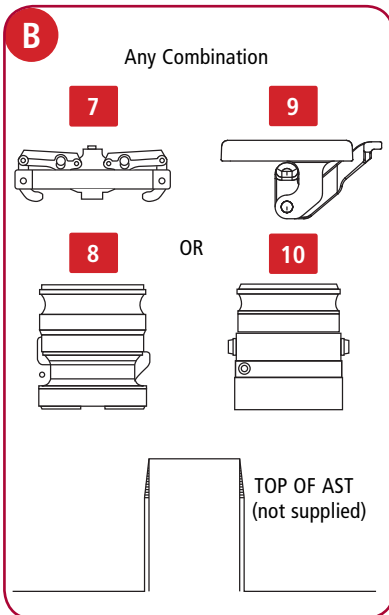
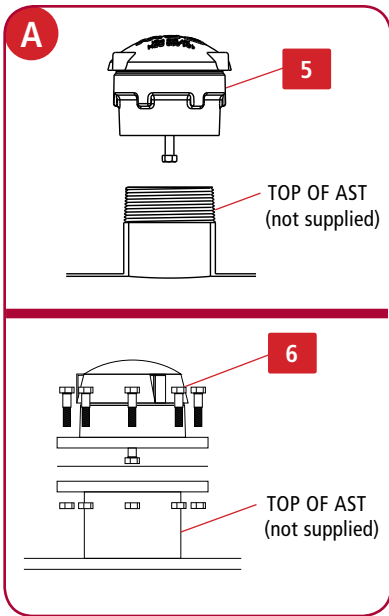
Typical OPW Phase I System for AST



The *first* Above Ground Storage Tank (AST) products in the industry to be certified by CARB

CARB REQUIRED PRODUCTS





The first Above Ground Storage Tank (AST) products in the industry to be certified by CARB

CARB REQUIRED PRODUCTS

OPW PART / DESCRIPTION		PAGE
1	62M Series Monitoring Probe Cap & Adaptor	98
2	FSA-400 Face Seal Adaptor	57
3	200TG-ENG Series Tank Gauge (optional / see Note below)	224
4	61T Series Drop Tube	224
5	301 Series Emergency Vent - NPT Mount (See Vent Size Configuration Guide on page 216)	226
6	301 Series Emergency Vent - Flanged Mount (See Vent Size Configuration Guide on page 216)	226
7	1711T-7085-EVR Cap	97
8	1611AV Vapor Recovery Adaptor	96
9	1711LPC-0300 Low Profile Cap	97
10	61VSA Series Vapor Recovery Adaptor	95
11	1711D / 1712D Series Kamvalok Coupler	223
12	A) 634B-0140 Dust Cap fits 633AST-0150 Adaptor	222
	B) 634B-0150 Dust Cap fits 633AST-2061 or 633AST-0200 Adaptor	
	C) 634B-0160 Dust Cap fits 1611AN-0200 or 633ST-0250 or 1611AN-2040 or 1612AN-2040 Adaptors	
	D) 634B-0170 Dust Cap fits 1611AN-3060 or 1612AN-3060 Adaptors	
13	1611AN-2040 or 1612AN-2040 - 2" Direct Fill or 1611AN-3060 or 1612AN-3060 - 3" Direct Fill Kamvalok Adaptor	223
14	332 Series Spill Container	218
15	61fSTOP-XXXXT Series Overfill Prevention Valve	220-221
16	61FT Drop Tube	221
17	634B-0150 or 634BK-0090 Cap	222-223
18	204247 Fill Prevention Cage	222
19	633AST Series Adaptor	222
20	53-00XX Series Double Tapped Bushing	128

NOTE: The OPW 200TG and 144TA/444TA are not required for EVR compliance, but if a tank gauge or tank alarm is used on your tank that these two OPW products are the only CARB AST EVR certified tank gauge and alarm.

Above Ground Storage Tank - Remote Fill - Remote Dispensing

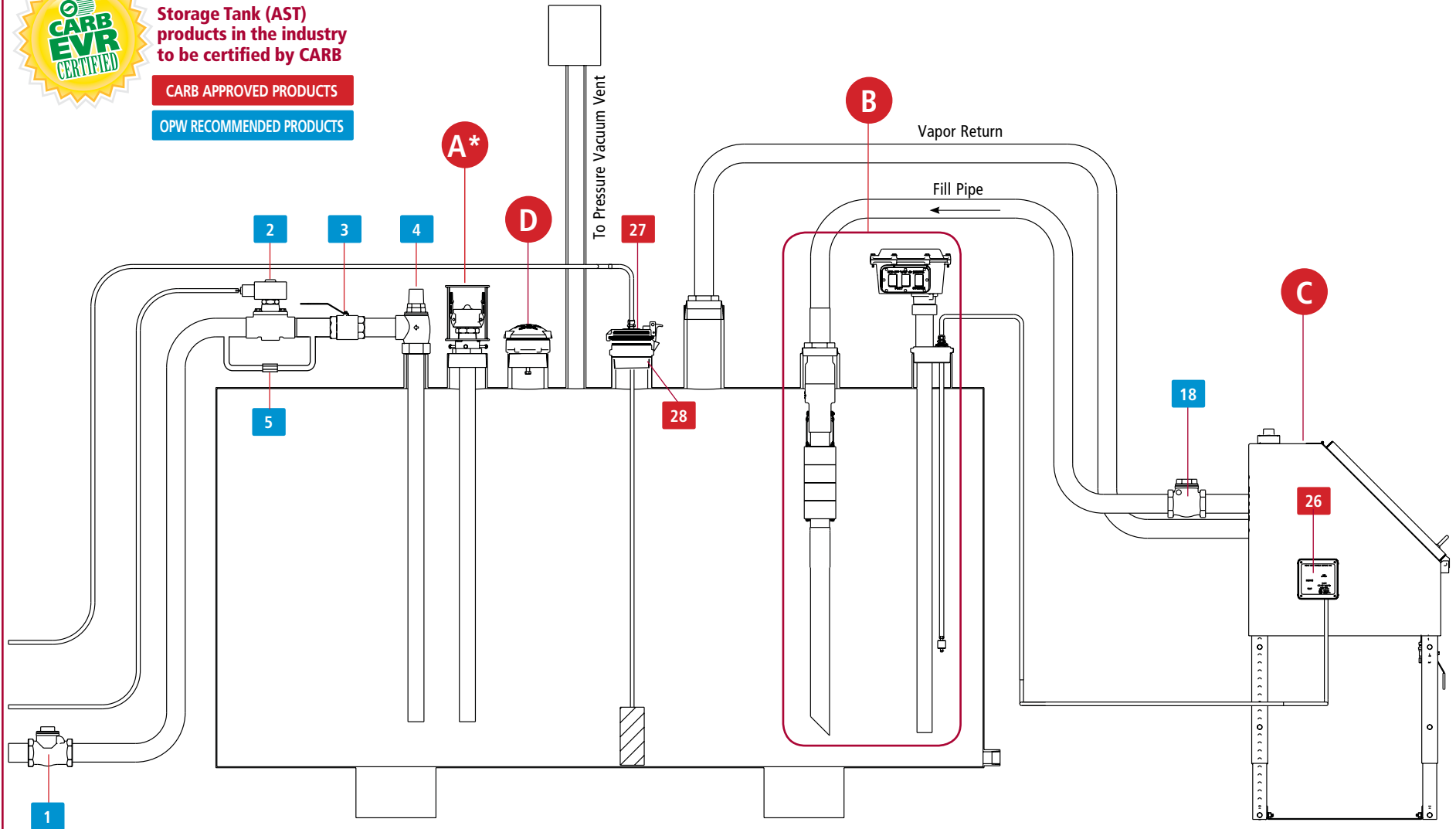
Typical OPW Phase I System for AST



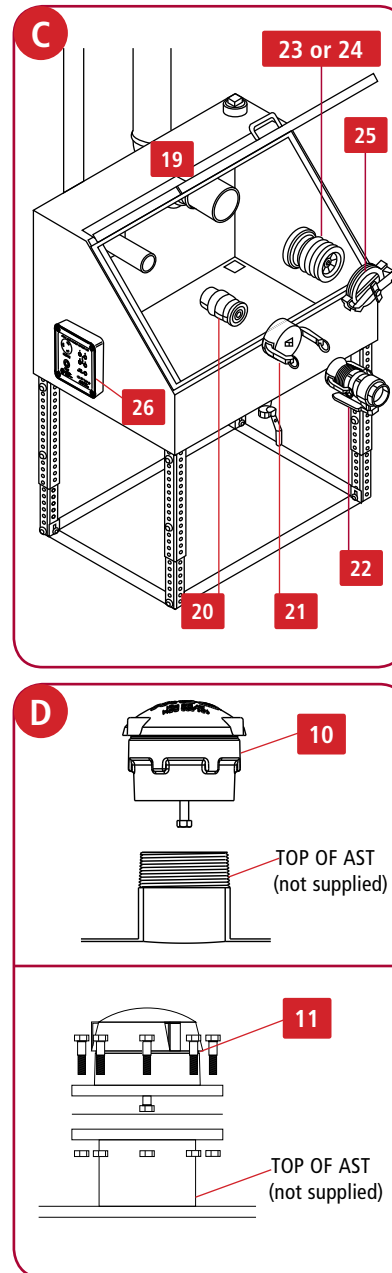
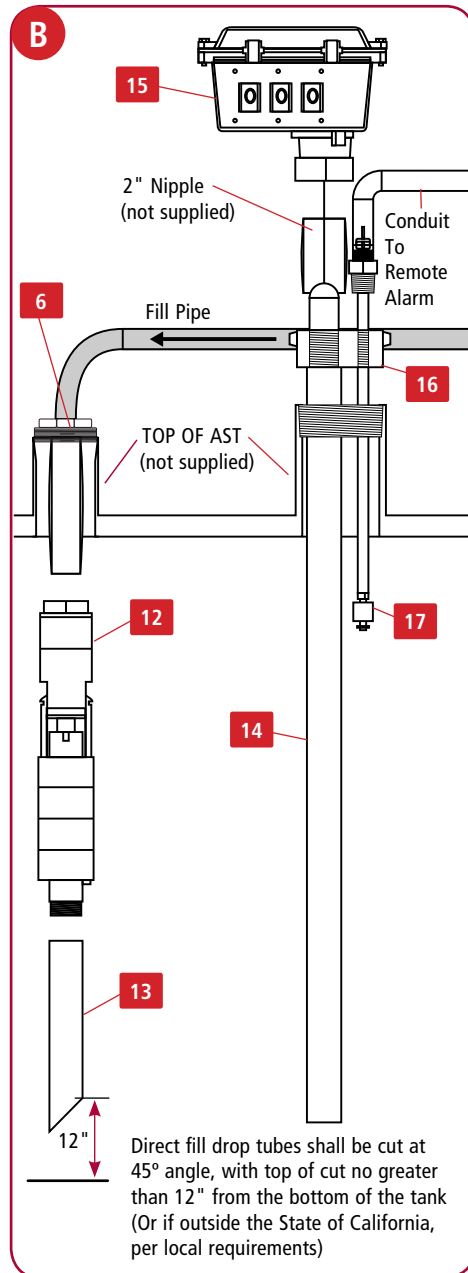
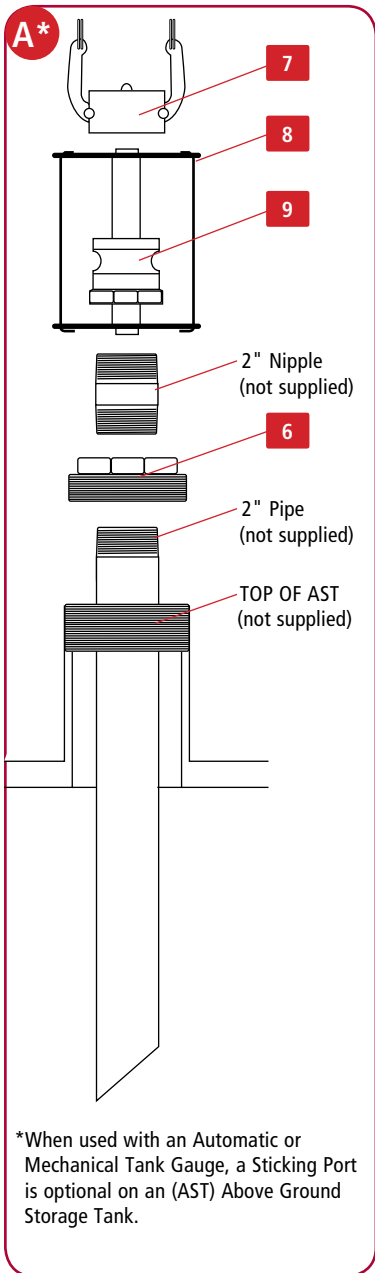
The **first** Above Ground Storage Tank (AST) products in the industry to be certified by CARB

CARB APPROVED PRODUCTS

OPW RECOMMENDED PRODUCTS



* When used with an Automatic or Mechanical Tank Gauge, a Sticking Port is optional on an (AST) Above Ground Storage Tank.



The **first** Above Ground Storage Tank (AST) products in the industry to be certified by CARB

APPROVED PRODUCTS		RECOMMENDED PRODUCTS
KEY	OPW PART / DESCRIPTION	PAGE
1	178S Series Emergency Valve (optional)	235
2	821 Series Solenoid Valve (optional)	233
3	21BV Series Ball Valve (optional)	234
4	199ASV Series Anti-Siphon Valve (optional)	232
5	82RV Series Pressure Relief Valve (optional)	233
6	53-00XX Series Double Tapped Bushing (optional)	128
7	634B-0150 or 634BK-0900 Cap	222-223
8	204247 Fill Prevention Cage	222
9	633AST Series Adaptor	222
10	301 Series Emergency Vent - Threaded Mount (See Vent Size Configuration Guide on page 216)	226
11	301 Series Emergency Vent - Flanged Mount (See Vent Size Configuration Guide on page 216)	226
12	61FSTOP-XXXXT Series Overfill Prevention Valve	220-221
13	61FT Series Drop Tube	221
14	61T Series Drop Tube	224
15	200TG-ENG Series Tank Gauge (optional / see Note below)	224
16	TGTA-0400 4" Gauge/Alarm Combo Fitting (optional)	225
17	44TA-LLFS Liquid Level Float Switch (optional)	225
18	175 Series Swing Check Valve (optional)	236
19	6211R Series Remote Spill Container	219
20	1611AN-0200 or 1612AN-0200 - 2" Remote Fill or 1611AN-0300 or 1612AN-0300 - 3" Remote Fill Kamvalok Adaptor	223
21	A) 634B-0140 Dust Cap fits 633AST-0150 Adaptor B) 634B-0150 Dust Cap fits 633AST-2061 or 633AST-0200 Adaptor C) 634B-0160 Dust Cap fits 1611AN-0200 or 633ST-0250 or 1611AN-2040 or 1612AN-2040 Adaptors D) 634B-0170 Dust Cap fits 1611AN-3060 or 1612AN-3060 Adaptors	222
22	1711D, 1711DL, 1712D, 1712DL Series Kamvalok Couplers	223
23	1611AV Vapor Recovery Adaptor	96
24	61VSA Series Vapor Recovery Adaptor	95
25	1711T-7085-EVR Cap or 1711LPC-0300 Low Profile Cap	97
26	144TA/444TA Series Tank Alarm (optional / see NOTE below)	225
27	62M Series Monitoring Probe Cap & Adaptor	98
28	FSA-400 Face Seal Adaptor	57

NOTE: The OPW 200TG and 144TA/444TA are not required for EVR compliance, but if a tank gauge or tank alarm is used on your tank that these two OPW products are the only CARB AST EVR certified tank gauge and alarm.