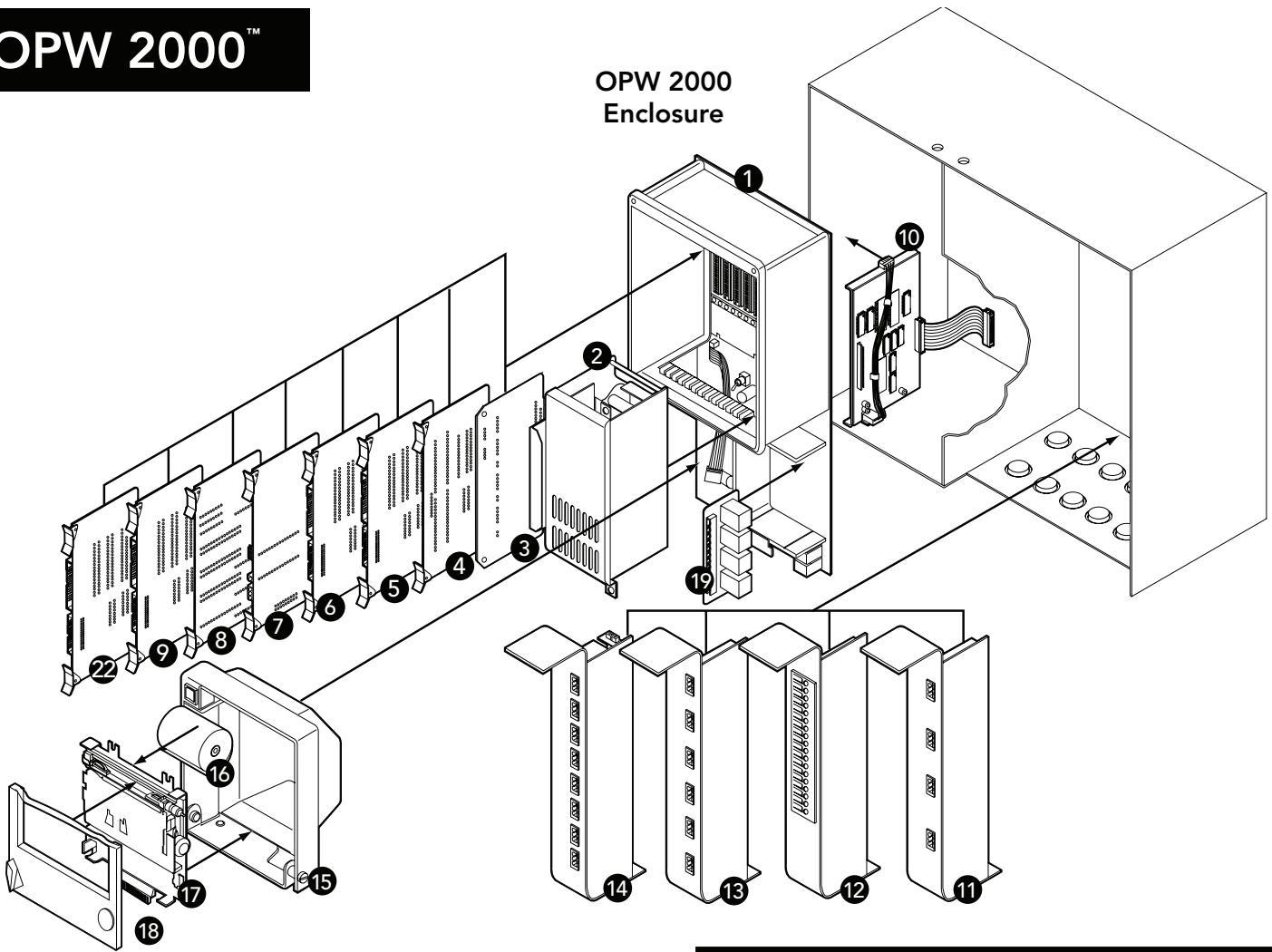
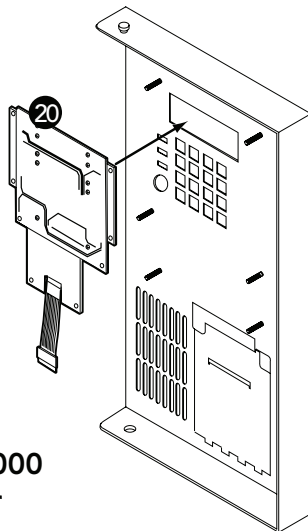


OPW 2000™

OPW 2000 Enclosure



OPW 2000 Door



OPW 2000 Parts

1. Backplane	Q439615
2. Power Supply.....	RQ439625
3. Side Kick Board (position 7).....	Q449977
4. Tank Monitor Driver Board (position 6).....	RQ439940
5. Leak Sensor Driver Board 2 (position 5).....	RQ439987
6. Leak Sensor Driver Board 1 (position 4).....	RQ439939
7. RS-232 Serial Communication Module (position 3).....	Q439957
or Internal Fax Modem.....	RQ449972-101
or Internal Modem.....	RQ449972-001
8. MPU Board (position 2) (Software Versions 28 or 29).....	RQ439972
or MPU (366) (All Other Software Versions).....	RQ439992
9. Auxiliary Board (position 1).....	Q439966
10. Epson Printer Controller.....	Q439567
11. 4 Liquid Proximity Sensor Inputs.....	RQ439520
or 4 Liquid Thermistor Inputs.....	RQ439522
12. Dispenser Power Interface.....	RQ439574
13. I/F Assembly -EECO Choice Sensors.....	RQ439970
14. Probe Interface Board.....	RQ439578
15. Printer Assembly.....	Q439618
16. Printer Paper.....	Q439501
17. Epson Printer Mechanism.....	Q439566
18. Printer Ribbon.....	Q439460
19. Multi-relay Board.....	Q439941
20. Keypad/LCD Assembly.....	Q439619
or Keypad Assembly.....	Q439594
21. OPW 3000 to OPW 2000 Conversion Kit (Not Shown)	
(consists of #9, #3, #8 MPU, #21, #10 and #16).....	451355-100
With Continuous Leak Detection.....	451357-100
22. Ethernet Board.....	20-0342-01
23. Software for 972 Board (Not Shown).....	025-028
24. Sam's Software (Not Shown).....	025-125
25. SLD Software (Not Shown).....	025-074
26. Precision Inventory Reconciliation (Not Shown).....	025-041