

## Proven Magnetostrictive Technology For Automatic Tank Gauging Systems

Highly accurate, trouble-free performance for inventory management and in-tank leak detection. Unlike competitive probes that have to be upgraded to handle different liquids, this highly-accurate, trouble-free probe comes standard in stainless steel and can be used with a variety of liquids – gasoline, diesel, water. The probe also measures water level, providing information to ensure product quality.

### Applications

- Compatible with SiteSentinel Models 1, 2, 3 and (Petrosonic) automatic tank gauging systems
- Supports extended operating temperature range: -40°F to 140°F (-40°C to 60°C)
- Designed for both underground (UST) and above-ground (AST) storage tanks
- Compatible with gasoline, diesel and other approved fluids

### Features

- The Magnetostrictive Probe accurately measures product and water levels
- Supports Automatic Leak Detection (ALD) with SiteSentinel I
- Five-point temperature sensing element provides accurate temperature compensation for product volume contraction and expansion for accurate inventory management and in-tank leak detection
- Automatically transmits probe profile to SiteSentinel on start-up to eliminate programming errors
- Adjustable probe head centering disks provide a tight fit inside risers with diameters ranging from 7.6" (3 cm) to 10.2" (4 cm)
- Available with 2" or 4" float kits

### Compliance

- The system is certified to meet U.S. Environmental Protection Agency's performance standards for 0.1 gallons per hour (0.38 liters per hour) volumetric tank tightness testing and 0.2 gph (0.76 lph) monthly monitoring.
- Supports ALD with SiteSentinel I:
  - monitors for leaks based on user selectable settings
  - can be set to automatically perform daily, weekly, monthly and annually required leak tests

### Magnetostrictive Level I Probe Data

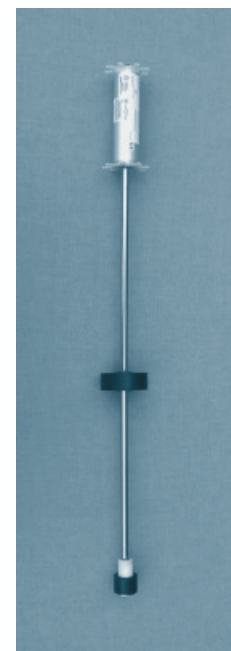
- Measures product level changes to a resolution of 0.0005" (0.0127 mm)
- Measures product temperature changes to a resolution of 0.001° F (0.0005° C)
- Measures water level changes to a resolution of 0.01" (0.254 mm)
- Linearity over entire probe length is ± 0.04" (1 mm)

### Approvals

- ETL
- BASEEFA
- ETLC
- ULC

### Leak Test Performance

- 0.2 gph (0.76 lph) Static Leak Test: 99.93% Pd, 0.07% Pfa,
- 0.1 gph (0.38 lph) Static Leak Test: 97.25% Pd, 1.95% Pfa
- 0.2 gph (0.76 lph) Automatic Leak Detection (ALD)
- 0.1 gph (0.38 lph) Automatic Leak Detection (ALD)
- EPA Certified: 20,000 gallon tank (75,700 liters)



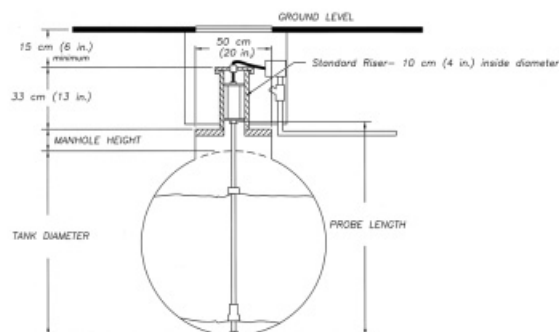
## Proven Magnetostrictive Technology For Automatic Tank Gauging Systems

### Probe Specifications

Type:	Magnetostrictive/Float
Material:	Stainless steel shaft, aluminum head
Location:	Hazardous, Class I, Division 1, Group D
Probe Inputs:	Intrinsically safe
Probe Power Supply:	12 VDC
Level Precision:	± 0.0005" (0.0127 mm)
Level Accuracy:	± 0.04" (1 mm)
Temperature:	± 0.5°F (0.3°C)
Temperature:	5 RTDs
Temperature Range:	-40°F to 140°F (-40°C to 60°C)
Data Cable:	1000' (300 m) Belden 88760 or Alpha 55371

### Level I Probe Length

Part No.	Description
■ 30-EA053	53" (135 cm)
■ 30-EA069	69" (175 cm)
■ 30-EA077	77" (196 cm)
■ 30-EA089	89" (226 cm)
■ 30-EA101	101" (257 cm)
■ 30-EA105	105" (267 cm)
■ 30-EA113	113" (287 cm)
■ 30-EA125	125" (317 cm)
■ 30-EA137	137" (350 cm)
■ 30-EA149	149" (376 cm)



$$\text{TANK DIAMETER} + \text{MANHOLE HEIGHT}^* + 8 \text{ cm (3 in.) Minimum} = \text{PROBE LENGTH}$$

\* (top of tank to top of manhole cover)

### Probe Float Kits

Part No.	Description
■ 30-1508-02	4" (102 mm) Gas/Water Nitrophenyl Float Kit
■ 30-1508-01	4" (102 mm) Diesel/Water Nitrophenyl Float Kit
■ 30-1509-02	2" (51 mm) Gas/Water Nitrophenyl Float Kit
■ 30-1509-01	2" (51 mm) Diesel/Water Nitrophenyl Float Kit

### Probe Interface Cable

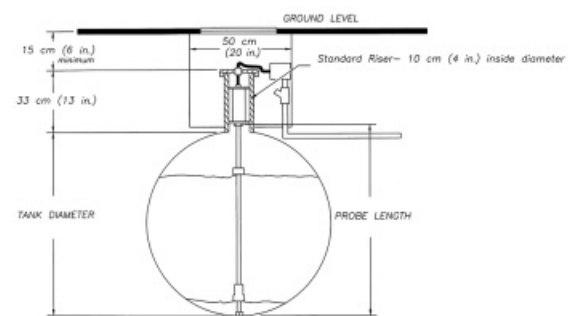
Part No.	Description
■ 10-1185	6' (1.8 m) Probe Interface Cable (Yellow, part of the float kit)

### Probe Installation Kits

Part No.	Description
■ 30-0219	OPW 4" (10.2 cm) Cap
■ 30-0219-E	OPW 4" (10.2 cm) Cap (BSI Thread)

### Probe Interface Field Wire

Part No.	Description
■ 12	TLM Belden 88760 Cable, minimum 500' (150 m)



$$\text{TANK DIAMETER} + 8 \text{ cm (3 in.) Minimum} = \text{PROBE LENGTH}$$

# OPW

FUEL MANAGEMENT SYSTEMS

A DOVER COMPANY

ONE COMPANY. ONE WORLD. ONE SOURCE.

6900 SANTA FE DRIVE • HODGKINS, IL USA 60525 • www.opwfms.com • 708-485-4200 • (fax) 708-485-7137

NOTE: All information is subject to engineering and/or other changes. All trade names are copyrighted. Patents Pending, Form No. 60-8183 ©2002 OPW Fuel Management Systems  
©2002 Delaware Capital Formation, Inc. All Rights Reserved. DOVER and the DOVER logo are registered trademarks of Delaware Capital Formation, Inc., a wholly-owned subsidiary of Dover Corporation.