

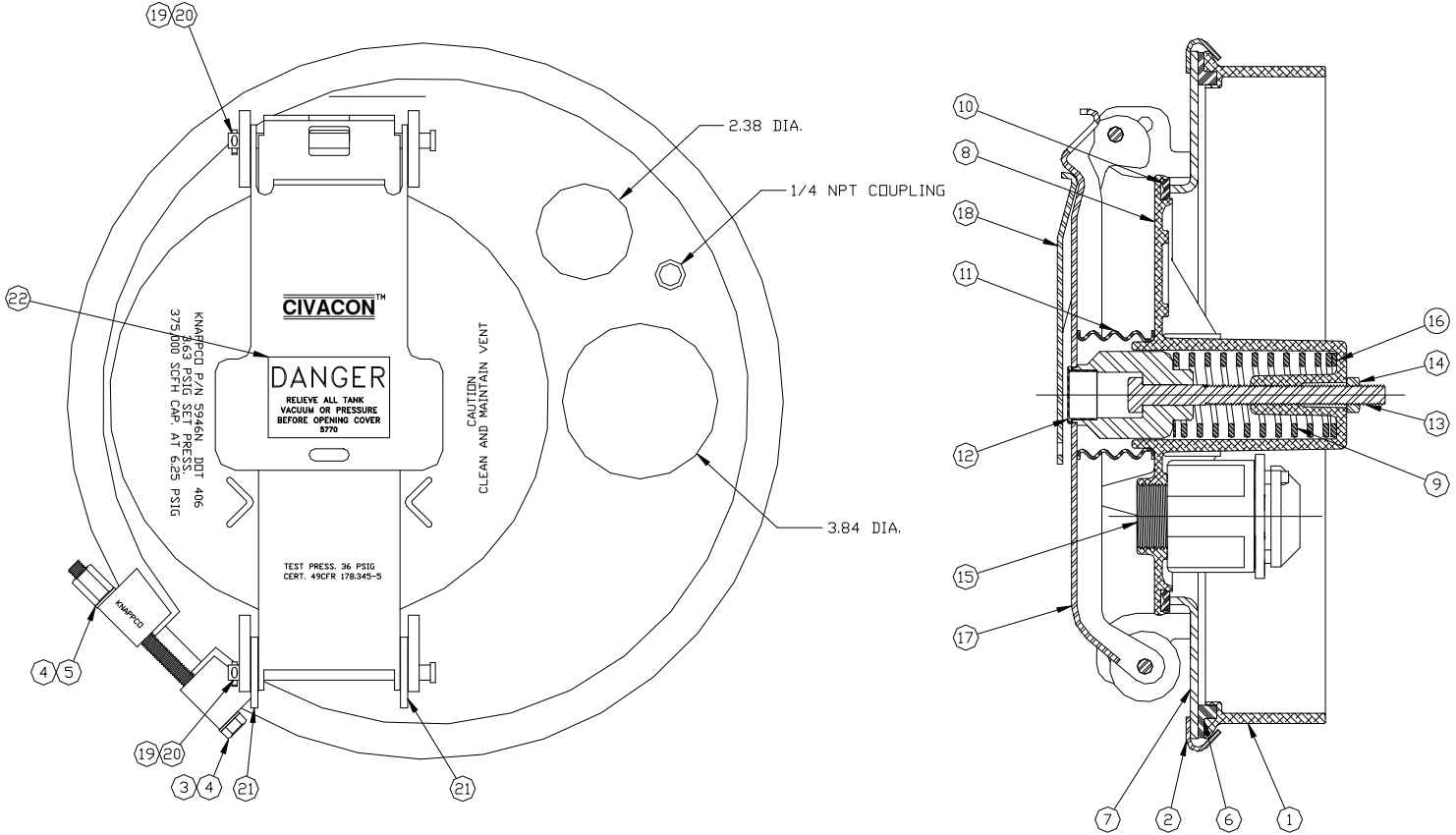


SV11110 16" Manhole Assembly

OBSOLETE

REPLACEMENT PARTS AVAILABLE

PARTS BREAK DOWN



ITEM	PART NUMBER	DESCRIPTION	QTY.
1	4754	WELD RING	1
2	3271	CLAMP RING	1
3	1110	SCREW	1
4	1113	WASHER	2
5	5009	NUT	1
6	4645 ²	GASKET	1
7	6006	COVER WELDMENT	1
8	5870 ¹	FILL COVER	1
9	5895 ¹	SPRING	1
10	12022 ^{1,3}	GASKET	1
11	5960	BOOT, BUNA-N	1
12	5961	PLASTIC PLUG	1
13	5890	SCREW, 1/2-13 6"	1
14	5681	NUT, 1/2-13	1

ITEM	PART NUMBER	DESCRIPTION	QTY.
15	NV2001 ¹	PRESSURE VACUUM VENT	1
16	6755 ¹	BUSHING	2
17	5988 ¹	STRONGBACK	1
18	6121	LATCH	1
19	5951	CLEVIS PIN	2
20	1045	COTTER PIN	2
21	6025	WASHER	2
22	5770	DECAL	1

Available without Weld Ring—P/N SV101110

REPLACEMENT FILL COVER	
5946N	FILL COVER ASSEMBLY

1—Included in 5946N, 2—Also available in Viton—P/N 4874, 3—Also available in Viton—P/N 6263

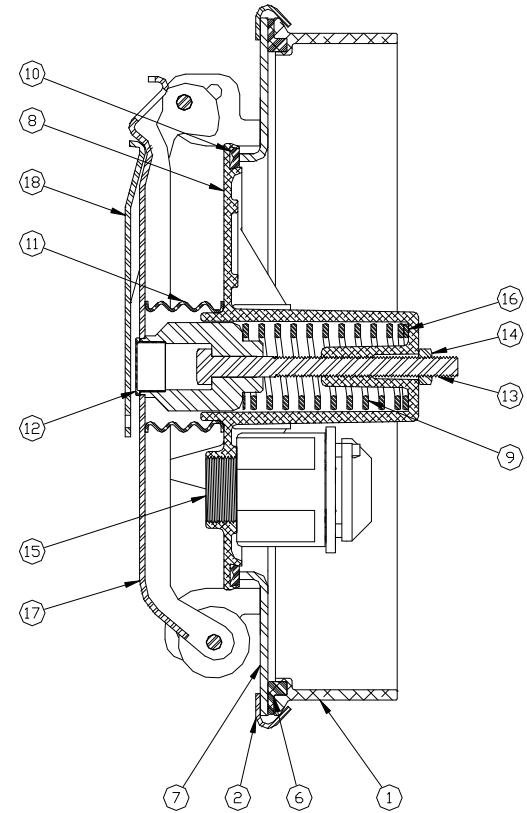
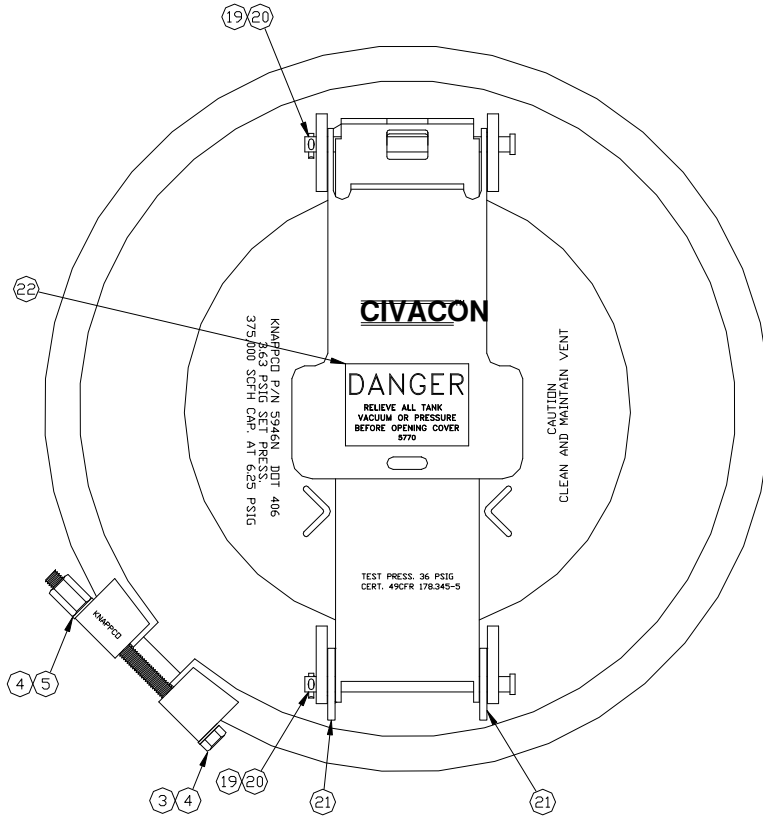


ST11100 16" Manhole Assembly

OBSOLETE

REPLACEMENT PARTS AVAILABLE

PARTS BREAK DOWN



ITEM	PART NUMBER	DESCRIPTION	QTY.
1	4754	WELD RING	1
2	3271	CLAMP RING	1
3	1110	SCREW	1
4	1113	WASHER	2
5	5009	NUT	1
6	4645 ²	GASKET	1
7	6151	COVER WELDMENT	1
8	5870 ¹	FILL COVER	1
9	5895 ¹	SPRING	1
10	12022 ^{1,3}	GASKET	1
11	5960	BOOT, BUNA-N	1
12	5961	PLASTIC PLUG	1
13	5890	SCREW, 1/2-13 6"	1
14	5681	NUT, 1/2-13	1

ITEM	PART NUMBER	DESCRIPTION	QTY.
15	NV2001 ¹	PRESSURE VACUUM VENT	1
16	6755 ¹	BUSHING	2
17	5988 ¹	STRONGBACK	1
18	6121	LATCH	1
19	5951	CLEVIS PIN	2
20	1045	COTTER PIN	2
21	6025	WASHER	2
22	5770	DECAL	1

Available without Weld Ring—P/N ST101100

REPLACEMENT FILL COVER	
5946N	FILL COVER ASSEMBLY

1—Included in 5946N, 2—Also available in Viton—P/N 4874, 3—Also available in Viton—P/N 6263

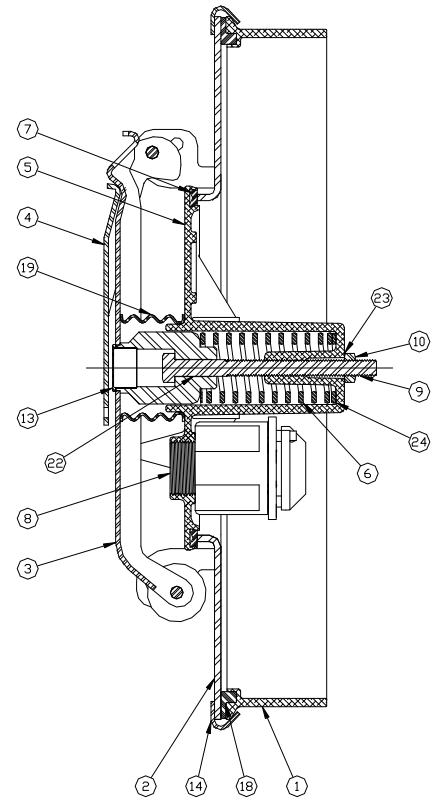
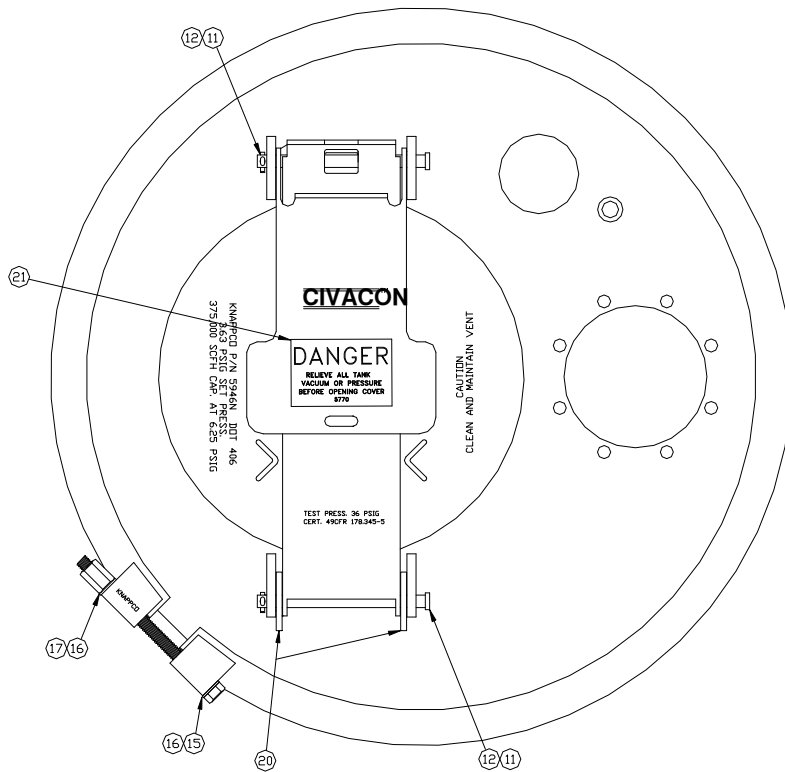


SW11120 20" Manhole Assembly

OBSOLETE

REPLACEMENT PARTS AVAILABLE

PARTS BREAK DOWN



ITEM	PART NUMBER	DESCRIPTION	QTY.
1	4755	WELD RING	1
2	6049	COVER WELDMENT	1
3	5988 ¹	STRONGBACK	1
4	6121	LATCH	1
5	5870 ¹	FILL COVER	1
6	5895 ¹	SPRING	1
7	12022 ^{1,3}	GASKET	1
8	NV2001 ¹	PRESSURE VACUUM VENT	1
9	5890 ¹	SCREW	1
10	5681 ¹	LOCK NUT	1
11	5951	CLEVIS PIN	2
12	1045	COTTER PIN	2
13	5961 ¹	PLUG	1
14	3250	CLAMP RING	1

ITEM	PART NUMBER	DESCRIPTION	QTY.
15	1110	SCREW	1
16	1113	WASHER	2
17	5009	NUT	1
18	4646 ²	GASKET	1
19	5960 ¹	BOOT	1
20	6025	WASHER	2
21	5770	DECAL	1
22	6755 ¹	BUSHING	2
23	9874 ¹	WASHER	1
24	5203 ¹	BUSHING	4

Available without Weld Ring—P/N SW101120

REPLACEMENT FILL COVER	
5946N	FILL COVER ASSEMBLY

1—Included in 5946N, 2—Also available in Viton—P/N 4874, 3—Also available in Viton—P/N 6263

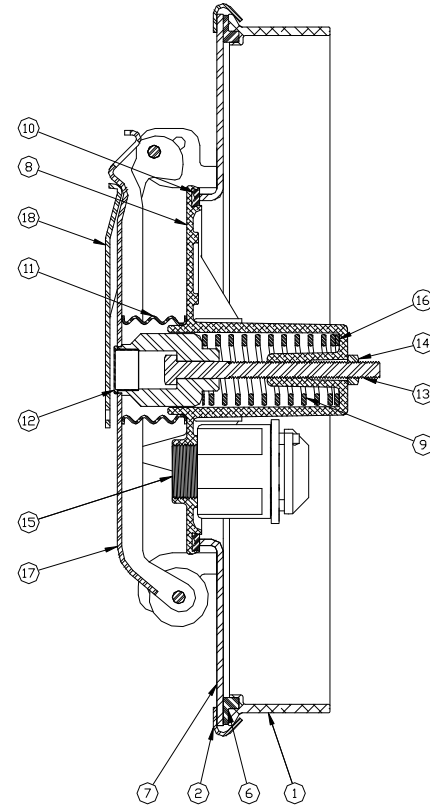
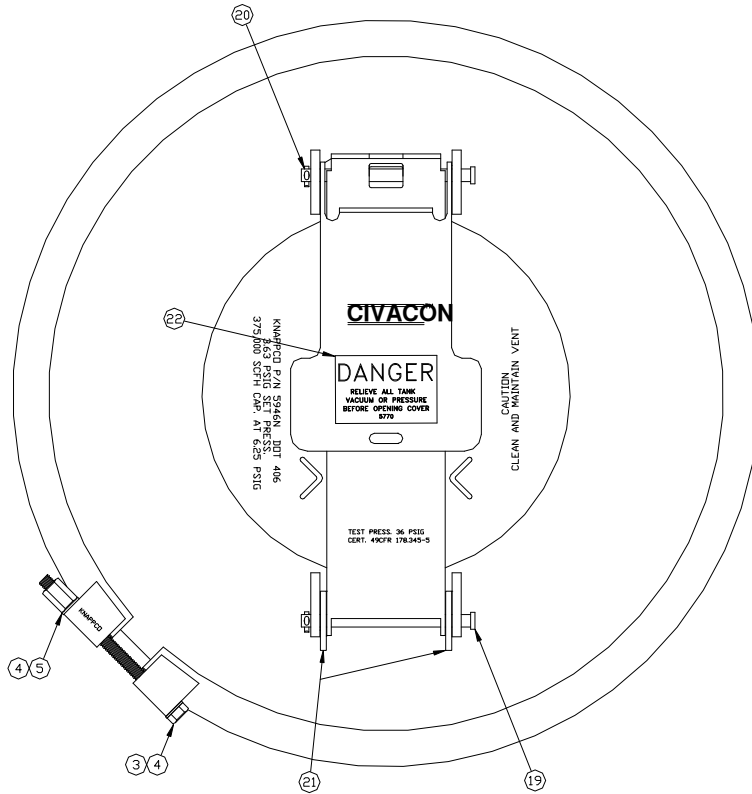


SU11100 20" Manhole Assembly

OBSOLETE

REPLACEMENT PARTS AVAILABLE

PARTS BREAK DOWN



ITEM	PART NUMBER	DESCRIPTION	QTY.
1	4755	WELD RING	1
2	3250	CLAMP RING	1
3	1110	SCREW	1
4	1113	WASHER	2
5	5009	NUT	1
6	4646 ²	GASKET	1
7	6153	COVER WELDMENT	1
8	5870 ¹	FILL COVER	1
9	5895 ¹	SPRING	1
10	12022 ^{1,3}	GASKET	1
11	5960	BOOT, BUNA-N	1
12	5961	PLASTIC PLUG	1
13	5890	SCREW, 1/2-13 6"	1
14	5681	NUT, 1/2-13	1

ITEM	PART NUMBER	DESCRIPTION	QTY.
15	NV2001 ¹	PRESSURE VACUUM VENT	1
16	6755 ¹	BUSHING	2
17	5988 ¹	STRONGBACK	1
18	6121	LATCH	1
19	5951	CLEVIS PIN	2
20	1045	COTTER PIN	2
21	6025	WASHER	2
22	5770	DECAL	1

Available without Weld Ring—P/N SSU101100

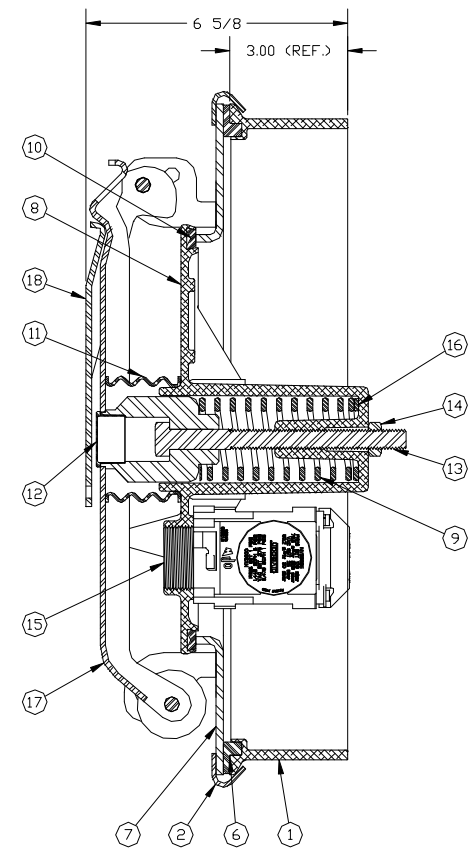
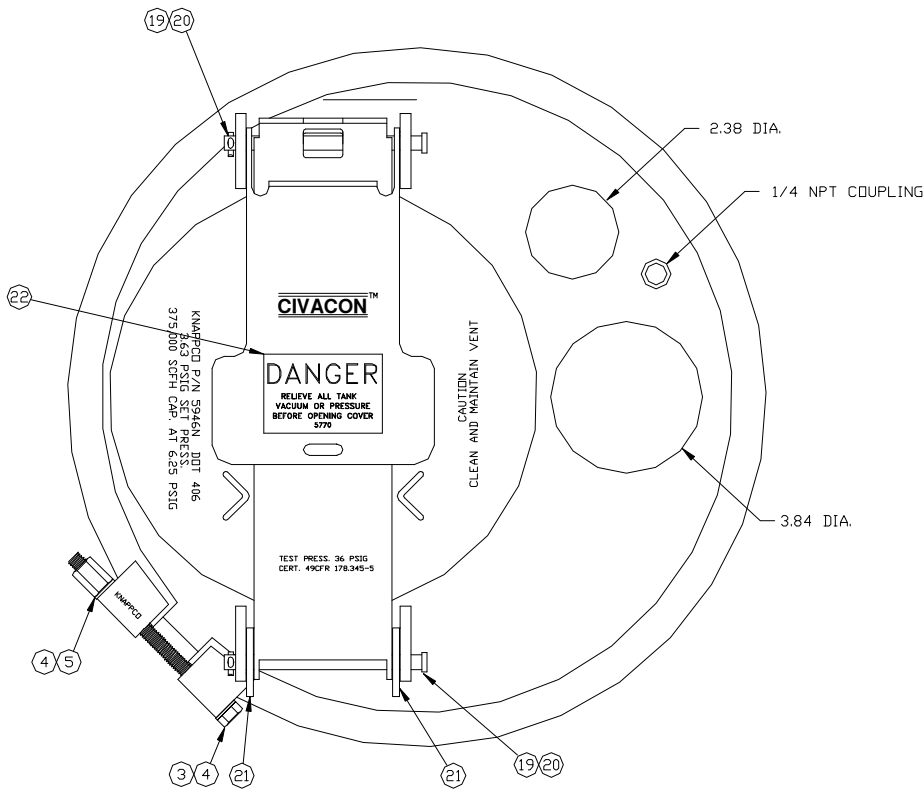
REPLACEMENT FILL COVER	
5946N	FILL COVER ASSEMBLY

1—Included in 5946N, 2—Also available in Viton—P/N 4874, 3—Also available in Viton—P/N 6263



SVN11110 16" Manhole Assembly

PARTS BREAK DOWN



ITEM	PART NUMBER	DESCRIPTION	QTY.
1	4754 ⁴	WELD RING	1
2	3271	CLAMP RING	1
3	1110	SCREW	1
4	1113	WASHER	2
5	5009	NUT	1
6	4645 ²	GASKET	1
7	6006	COVER WELDMENT	1
8	5870 ¹	FILL COVER	1
9	5895 ¹	SPRING	1
10	12022 ^{1,3}	GASKET	1
11	5960	BOOT, BUNA-N	1
12	5961	PLASTIC PLUG	1
13	5890	SCREW, 1/2-13 6"	1
14	5681	NUT, 1/2-13	1

ITEM	PART NUMBER	DESCRIPTION	QTY.
15	NV3000 ¹	PRESSURE VACUUM VENT	1
16	6755 ¹	BUSHING	2
17	5988 ¹	STRONGBACK	1
18	6121	LATCH	1
19	5951	CLEVIS PIN	2
20	1045	COTTER PIN	2
21	6025	WASHER	2
22	5770	DECAL	1

Available without Weld Ring—P/N SVN101110

Available with Steel Weld Ring—P/N SVN171110

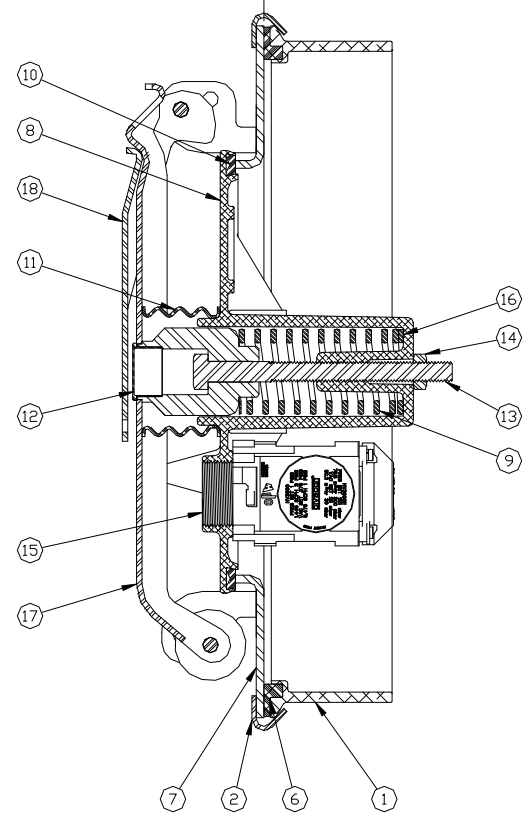
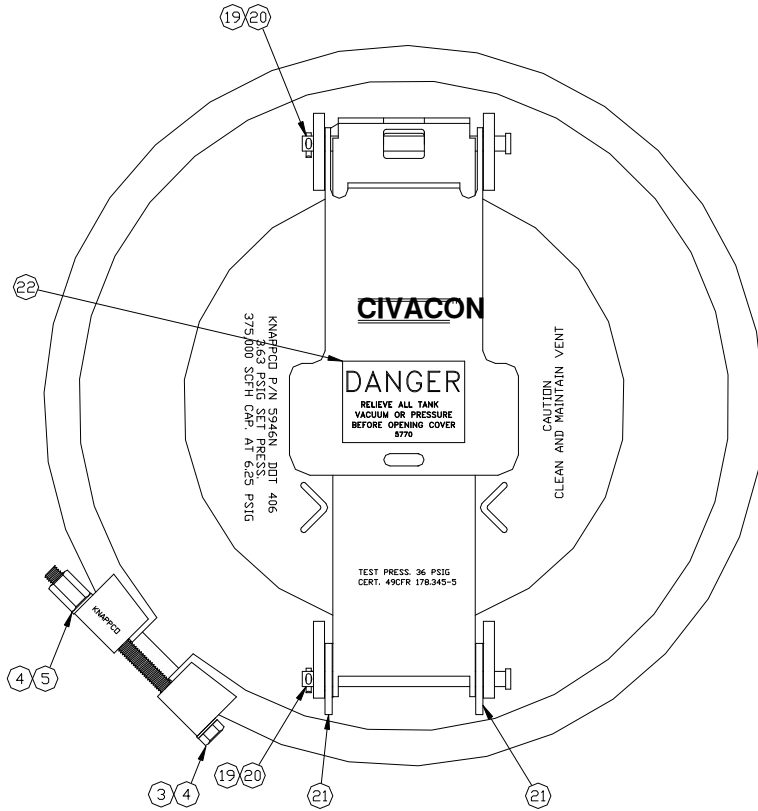
REPLACEMENT FILL COVER	
5946NN	FILL COVER ASSEMBLY

1—Included in 5946NN, 2—Also available in Viton—P/N 4874, 3—Also available in Viton—P/N 6263, 4—Also available in Steel—P/N 5453



STN11100 16" Manhole Assembly

PARTS BREAK DOWN



ITEM	PART NUMBER	DESCRIPTION	QTY.
1	4754 ⁴	WELD RING	1
2	3271	CLAMP RING	1
3	1110	SCREW	1
4	1113	WASHER	2
5	5009	NUT	1
6	4645 ²	GASKET	1
7	6151	COVER WELDMENT	1
8	5870 ¹	FILL COVER	1
9	5895 ¹	SPRING	1
10	12022 ^{1,3}	GASKET	1
11	5960	BOOT, BUNA-N	1
12	5961	PLASTIC PLUG	1
13	5890	SCREW, 1/2-13 6"	1
14	5681	NUT, 1/2-13	1

ITEM	PART NUMBER	DESCRIPTION	QTY.
15	NV3000 ¹	PRESSURE VACUUM VENT	1
16	6755 ¹	BUSHING	2
17	5988 ¹	STRONGBACK	1
18	6121	LATCH	1
19	5951	CLEVIS PIN	2
20	1045	COTTER PIN	2
21	6025	WASHER	2
22	5770	DECAL	1

Available without Weld Ring—P/N STN101100

Available with Steel Weld Ring—P/N STN171100

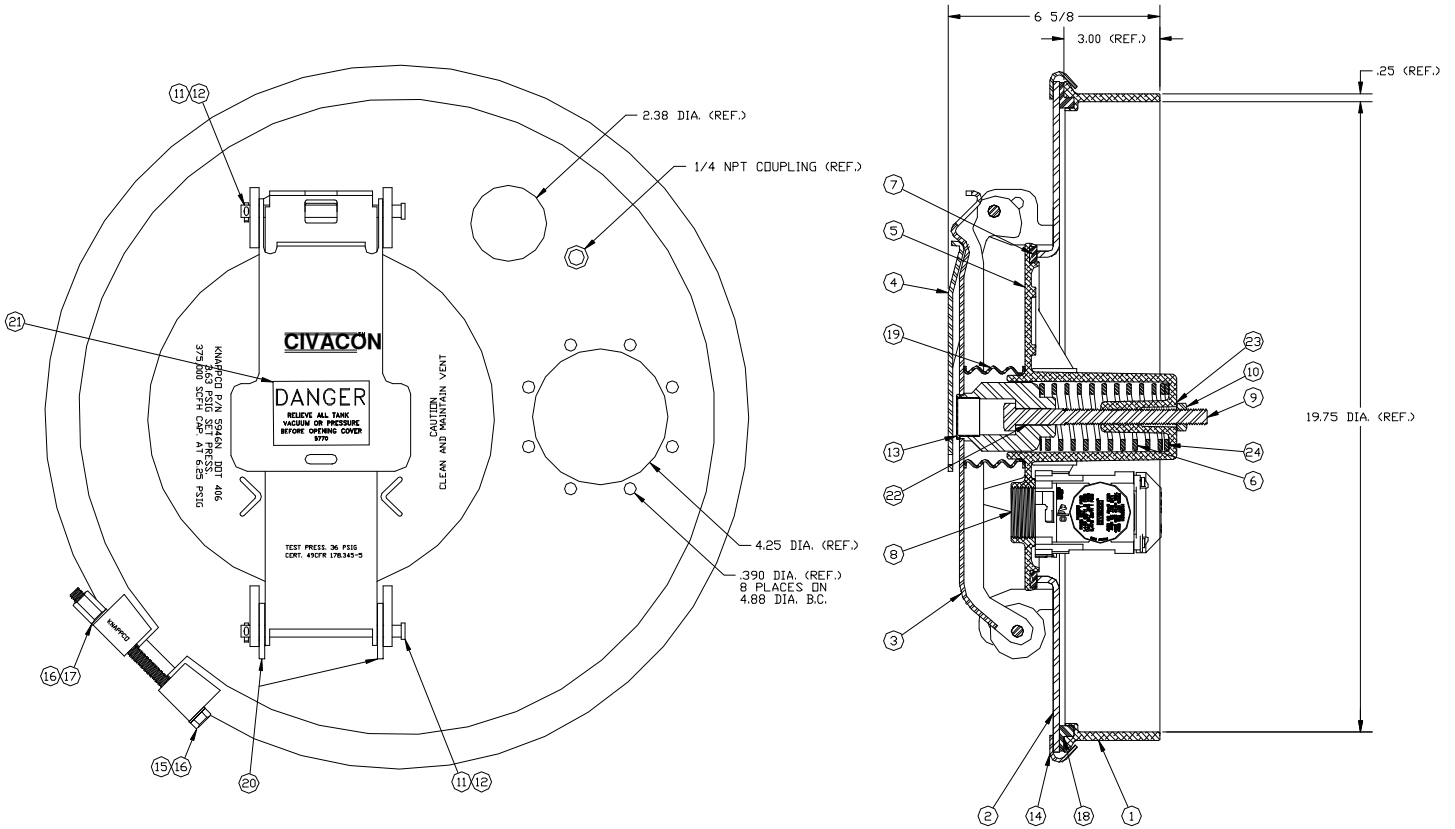
REPLACEMENT FILL COVER	
5946NN	FILL COVER ASSEMBLY

1—Included in 5946NN, 2—Also available in Viton—P/N 4874, 3—Also available in Viton—P/N 6263, 4—Also available in Steel—P/N 5453



SWN11120 20" Manhole Assembly

PARTS BREAK DOWN



ITEM	PART NUMBER	DESCRIPTION	QTY.
1	4755 ⁴	WELD RING	1
2	6049	COVER WELDMENT	1
3	5988 ¹	STRONGBACK	1
4	6121	LATCH	1
5	5870 ¹	FILL COVER	1
6	5895 ¹	SPRING	1
7	12022 ^{1,3}	GASKET	1
8	NV3000 ¹	PRESSURE VACUUM VENT	1
9	5890 ¹	SCREW	1
10	5681 ¹	LOCK NUT	1
11	5951	CLEVIS PIN	2
12	1045	COTTER PIN	2
13	5961 ¹	PLUG	1
14	3250	CLAMP RING	1

ITEM	PART NUMBER	DESCRIPTION	QTY.
15	1110	SCREW	1
16	1113	WASHER	2
17	5009	NUT	1
18	4646 ²	GASKET	1
19	5960 ¹	BOOT	1
20	6025	WASHER	2
21	5770	DECAL	1
22	6755 ¹	BUSHING	2
23	9874 ¹	WASHER	1
24	5203 ¹	BUSHING	4

Available without Weld Ring—P/N SWN101120

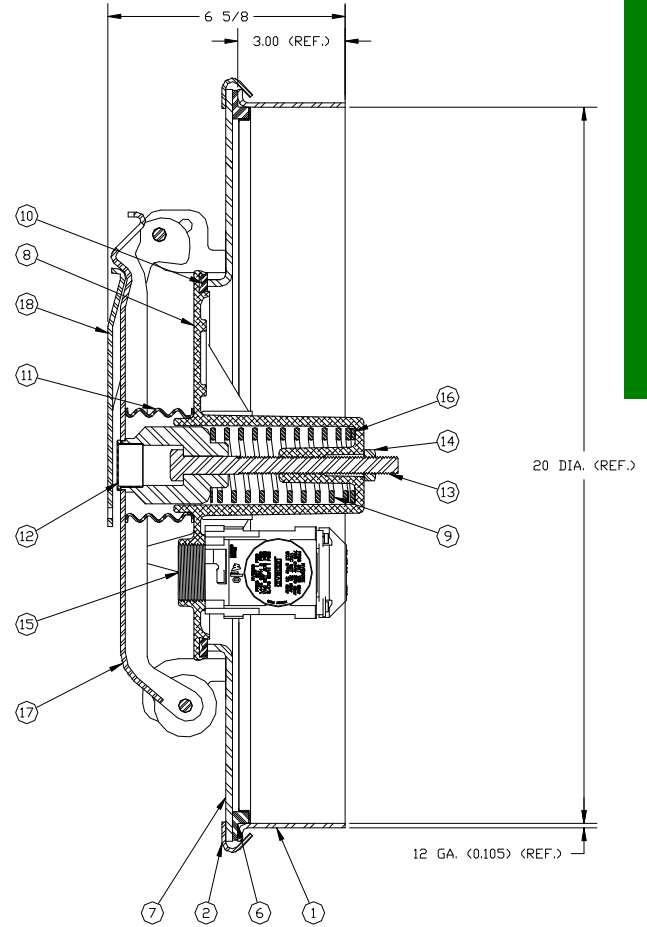
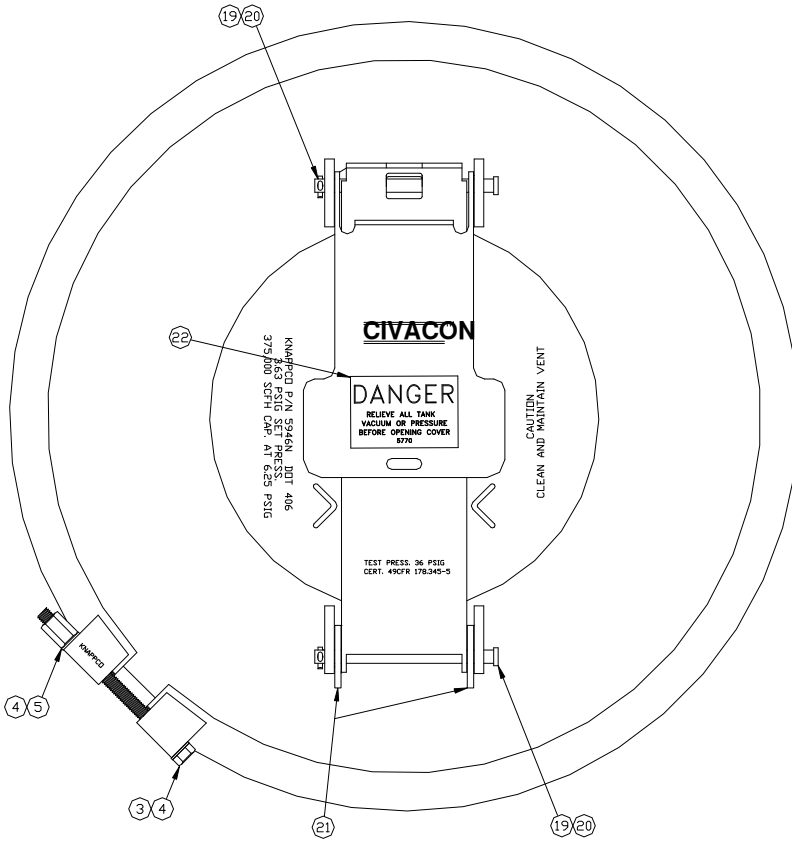
Available with Steel Weld Ring—P/N SWN171120

REPLACEMENT FILL COVER	
5946NN	FILL COVER ASSEMBLY

1—Included in 5946N, 2—Also available in Viton—P/N 4874, 3—Also available in Viton—P/N 6263, Also available in Steel—P/N 5452



SUN11100 20" Manhole Assembly



PARTS BREAK DOWN

ITEM	PART NUMBER	DESCRIPTION	QTY.
1	4755	WELD RING	1
2	3250	CLAMP RING	1
3	1110	SCREW	1
4	1113	WASHER	2
5	5009	NUT	1
6	4646 ²	GASKET	1
7	6153	COVER WELDMENT	1
8	5870 ¹	FILL COVER	1
9	5895 ¹	SPRING	1
10	12022 ^{1,3}	GASKET	1
11	5960	BOOT, BUNA-N	1
12	5961	PLASTIC PLUG	1
13	5890	SCREW, 1/2-13 6"	1
14	5681	NUT, 1/2-13	1

ITEM	PART NUMBER	DESCRIPTION	QTY.
15	NV3000 ¹	PRESSURE VACUUM VENT	1
16	6755 ¹	BUSHING	2
17	5988 ¹	STRONGBACK	1
18	6121	LATCH	1
19	5951	CLEVIS PIN	2
20	1045	COTTER PIN	2
21	6025	WASHER	2
22	5770	DECAL	1

Available without Weld Ring—P/N SUN101100

Available with Steel Weld Ring—P/N SUN171100

REPLACEMENT FILL COVER	
5946NN	FILL COVER ASSEMBLY

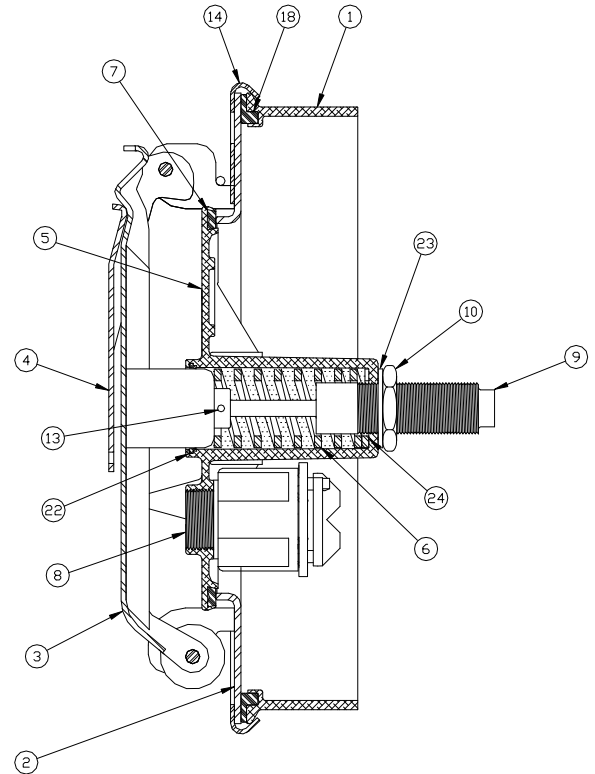
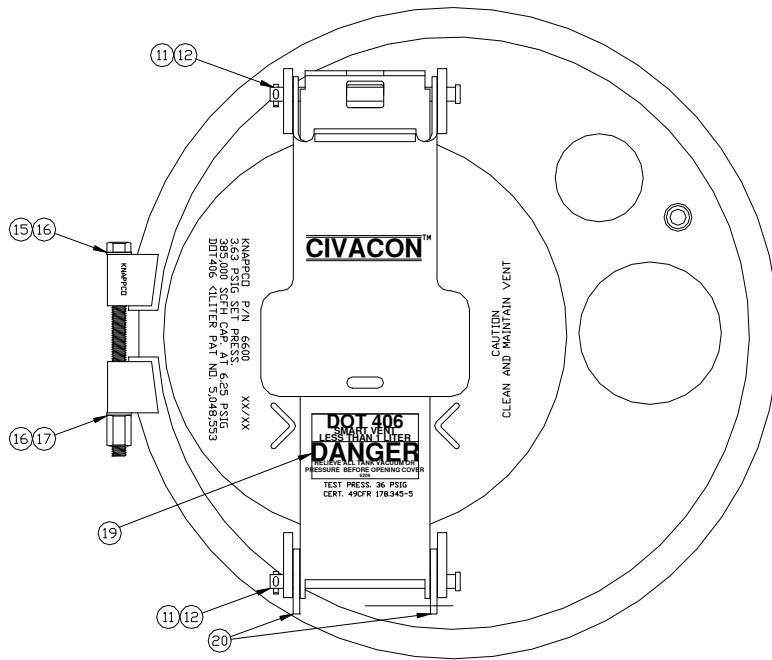
1—Included in 5946NN, 2—Also available in Viton—P/N 4874, 3—Also available in Viton—P/N 6263, 4—Also available in Steel—P/N 5453



SSV11110 16" Manhole Assembly

OBSOLETE
REPLACEMENT PARTS AVAILABLE

PARTS BREAK DOWN



ITEM	PART NUMBER	DESCRIPTION	QTY.
1	4754	WELD RING	1
2	6006	COVER WELDMENT	1
3	6535 ¹	STRONGBACK	1
4	6121	LATCH	1
5	6533 ¹	FILL COVER	1
6	5895 ¹	SPRING	1
7	12022 ^{1,3}	GASKET	1
8	NV2001 ¹	PRESSURE VACUUM VENT	1
9	9241 ¹	MOTION CONTROL DEVICE	1
10	6374 ¹	LOCK NUT	1
11	5951	CLEVIS PIN	2
12	1045	COTTER PIN	2
13	6534 ¹	DRIVE PIN	1
14	3271	CLAMP RING	1

ITEM	PART NUMBER	DESCRIPTION	QTY.
15	1110	SCREW	1
16	1113	WASHER	2
17	5009	NUT	1
18	4645 ²	GASKET	1
19	6209 ¹	DECAL	1
20	6025	WASHER	2
22	6532 ¹	ROD WIPER	1
23	6375 ¹	SEAL WASHER	1
24	5203 ¹	BUSHING	4

Available without Weld Ring—P/N SSV101110

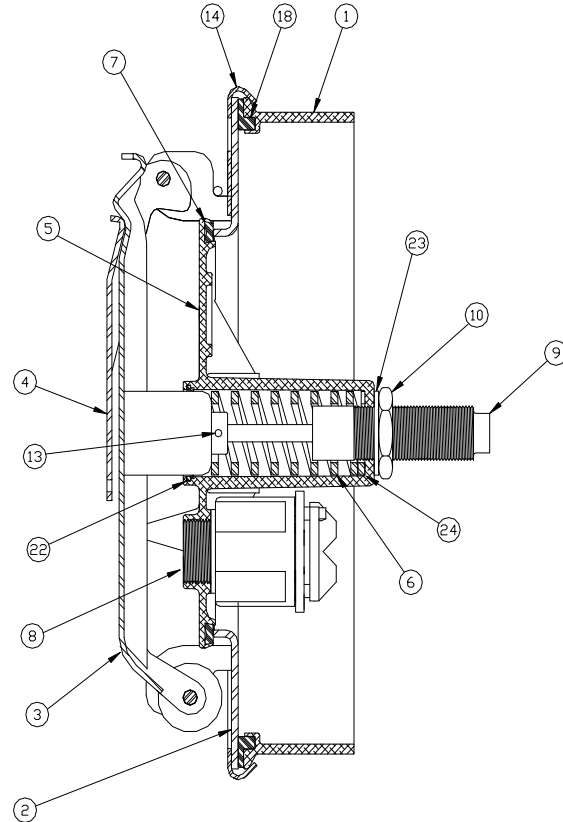
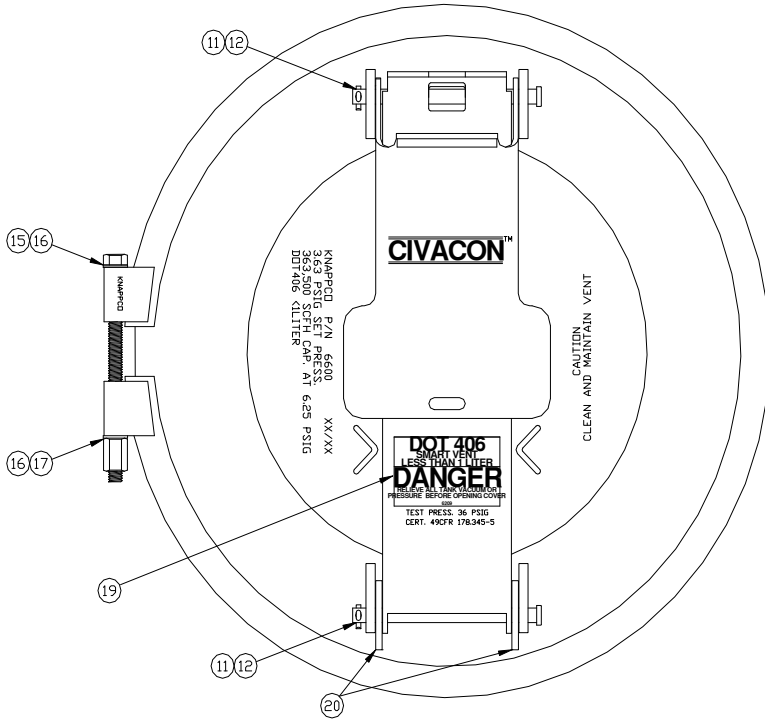
REPLACEMENT FILL COVER	
6600	FILL COVER ASSEMBLY

1—Included in 6600, 2—Also available in Viton—P/N 4873, 3—Also available in Viton—P/N 6263



SST11100 16" Manhole Assembly

OBSOLETE
REPLACEMENT PARTS AVAILABLE



PARTS BREAK DOWN

ITEM	PART NUMBER	DESCRIPTION	QTY.
1	4754	WELD RING	1
2	6151	COVER WELDMENT	1
3	6535 ¹	STRONGBACK	1
4	6121	LATCH	1
5	6533 ¹	FILL COVER	1
6	5895 ¹	SPRING	1
7	12022 ^{1,3}	GASKET	1
8	NV2001 ¹	PRESSURE VACUUM VENT	1
9	9241 ¹	MOTION CONTROL DEVICE	1
10	6374 ¹	LOCK NUT	1
11	5951	CLEVIS PIN	2
12	1045	COTTER PIN	2
13	6534 ¹	DRIVE PIN	1
14	3271	CLAMP RING	1

ITEM	PART NUMBER	DESCRIPTION	QTY.
15	1110	SCREW	1
16	1113	WASHER	2
17	5009	NUT	1
18	4645 ²	GASKET	1
19	6209 ¹	DECAL	1
20	6025	WASHER	2
22	6532 ¹	ROD WIPER	1
23	6375 ¹	SEAL WASHER	1
24	5203 ¹	BUSHING	4

Available without Weld Ring—P/N SST101100

REPLACEMENT FILL COVER	
6600	FILL COVER ASSEMBLY

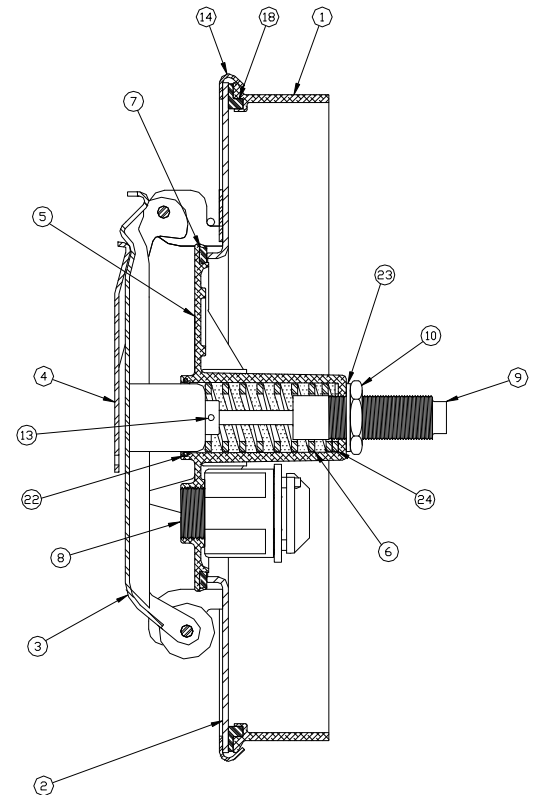
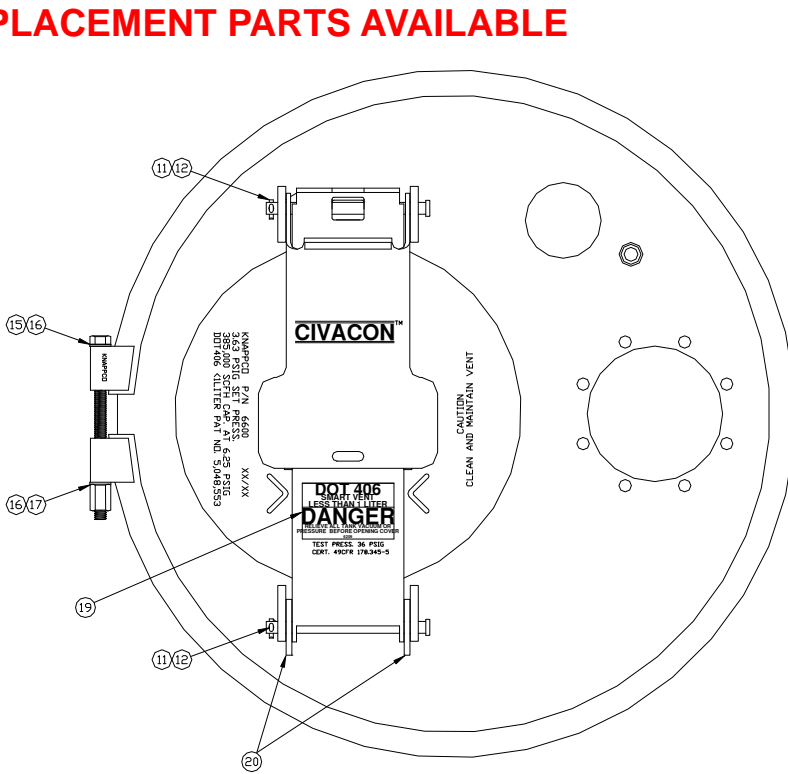
1—Included in 6600, 2—Also available in Viton—P/N 4873, 3—Also available in Viton—P/N 6263



SSW11120 20" Manhole Assembly

OBSOLETE
REPLACEMENT PARTS AVAILABLE

PARTS BREAK DOWN



ITEM	PART NUMBER	DESCRIPTION	QTY.
1	4755	WELD RING	1
2	6049	COVER WELDMENT	1
3	6535 ¹	STRONGBACK	1
4	6121	LATCH	1
5	6533 ¹	FILL COVER	1
6	5895 ¹	SPRING	1
7	12022 ^{1,3}	GASKET	1
8	NV2001 ¹	PRESSURE VACUUM VENT	1
9	9241 ¹	MOTION CONTROL DEVICE	1
10	6374 ¹	LOCK NUT	1
11	5951	CLEVIS PIN	2
12	1045	COTTER PIN	2
13	6534 ¹	DRIVE PIN	1
14	3250	CLAMP RING	1

ITEM	PART NUMBER	DESCRIPTION	QTY.
15	1110	SCREW	1
16	1113	WASHER	2
17	5009	NUT	1
18	4646 ²	GASKET	1
19	6209 ¹	DECAL	1
20	6025	WASHER	2
22	6532 ¹	ROD WIPER	1
23	6375 ¹	SEAL WASHER	1
24	5203 ¹	BUSHING	4

Available without Weld Ring—P/N SSW101120

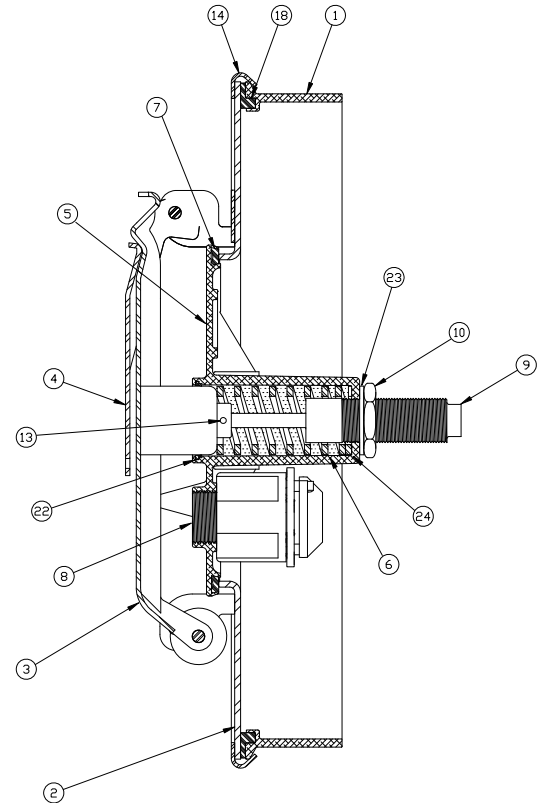
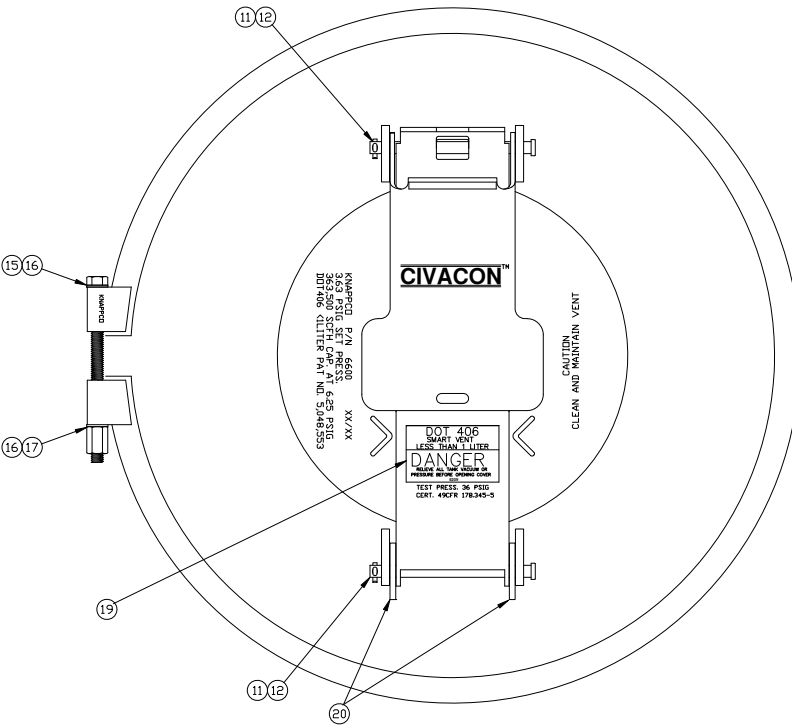
REPLACEMENT FILL COVER	
6600	FILL COVER ASSEMBLY

1—Included in 6600, 2—Also available in Viton—P/N 4874, 3—Also available in Viton—P/N 6263



SSU11100 20" Manhole Assembly

OBSOLETE
REPLACEMENT PARTS AVAILABLE



ITEM	PART NUMBER	DESCRIPTION	QTY.
1	4755	WELD RING	1
2	6153	COVER WELDMENT	1
3	6535 ¹	STRONGBACK	1
4	6121	LATCH	1
5	6533 ¹	FILL COVER	1
6	5895 ¹	SPRING	1
7	12022 ^{1,3}	GASKET	1
8	NV2001 ¹	PRESSURE VACUUM VENT	1
9	9241 ¹	MOTION CONTROL DEVICE	1
10	6374 ¹	LOCK NUT	1
11	5951	CLEVIS PIN	2
12	1045	COTTER PIN	2
13	6534 ¹	DRIVE PIN	1
14	3250	CLAMP RING	1

ITEM	PART NUMBER	DESCRIPTION	QTY.
15	1110	SCREW	1
16	1113	WASHER	2
17	5009	NUT	1
18	4646 ²	GASKET	1
19	6209 ¹	DECAL	1
20	6025	WASHER	2
22	6532 ¹	ROD WIPER	1
23	6375 ¹	SEAL WASHER	1
24	5203 ¹	BUSHING	4

Available without Weld Ring—P/N SSU101100

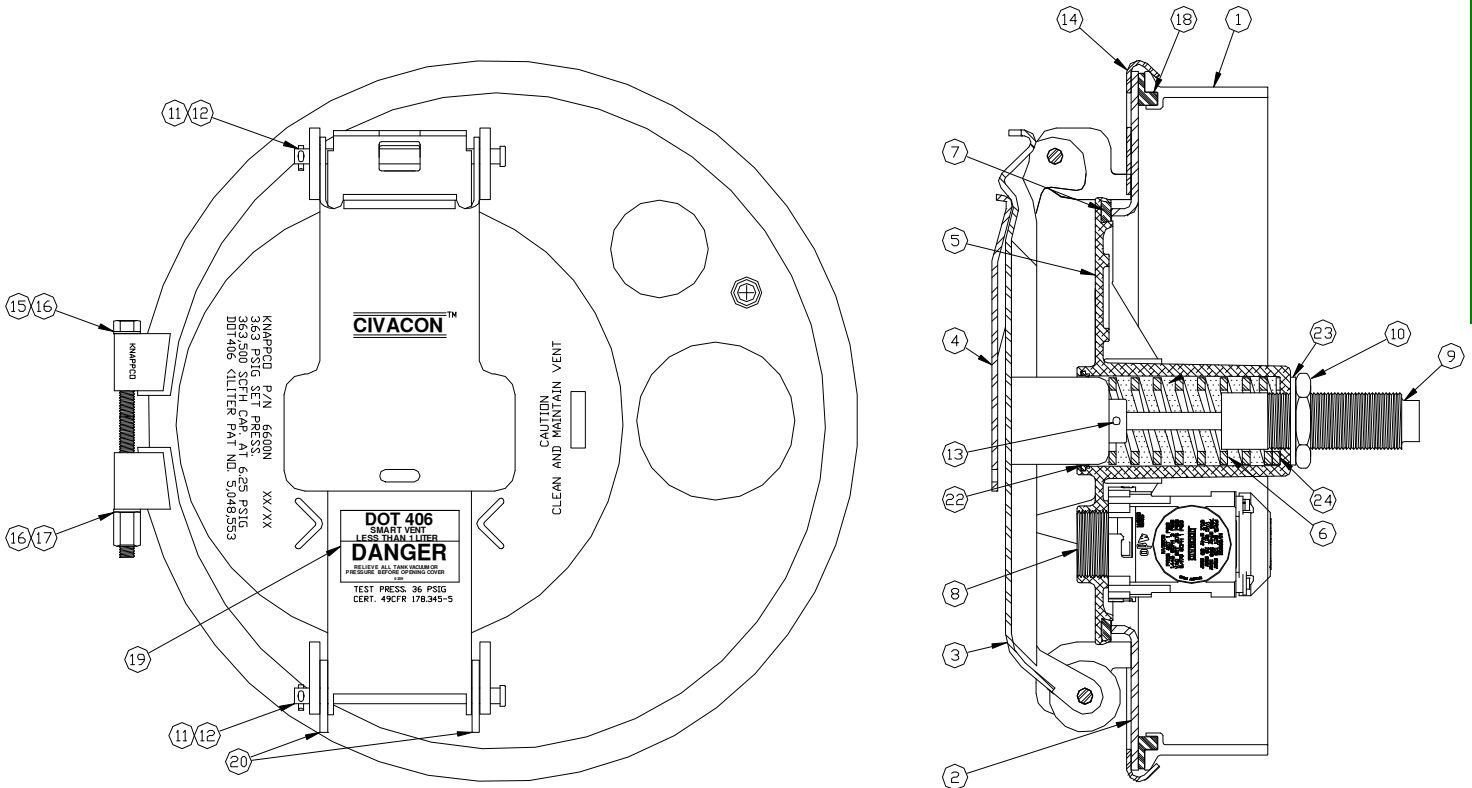
REPLACEMENT FILL COVER	
6600	FILL COVER ASSEMBLY

1—Included in 6600, 2—Also available in Viton—P/N 4874, 3—Also available in Viton—P/N 6263



SSVN11110 16" Manhole Assembly

PARTS BREAK DOWN



ITEM	PART NUMBER	DESCRIPTION	QTY.
1	4754	WELD RING	1
2	6006	COVER WELDMENT	1
3	6535 ¹	STRONGBACK	1
4	6121	LATCH	1
5	6533 ¹	FILL COVER	1
6	5895 ¹	SPRING	1
7	12022 ^{1,3}	GASKET	1
8	NV3000 ¹	PRESSURE VACUUM VENT	1
9	9241 ¹	MOTION CONTROL DEVICE	1
10	6374 ¹	LOCK NUT	1
11	5951	CLEVIS PIN	2
12	1045	COTTER PIN	2
13	6534 ¹	DRIVE PIN	1
14	3271	CLAMP RING	1

ITEM	PART NUMBER	DESCRIPTION	QTY.
15	1110	SCREW	1
16	1113	WASHER	2
17	5009	NUT	1
18	4645 ²	GASKET	1
19	6209 ¹	DECAL	1
20	6025	WASHER	2
22	6532 ¹	ROD WIPER	1
23	6375 ¹	SEAL WASHER	1
24	5203 ¹	BUSHING	4

Available without Weld Ring—P/N SSVN101110

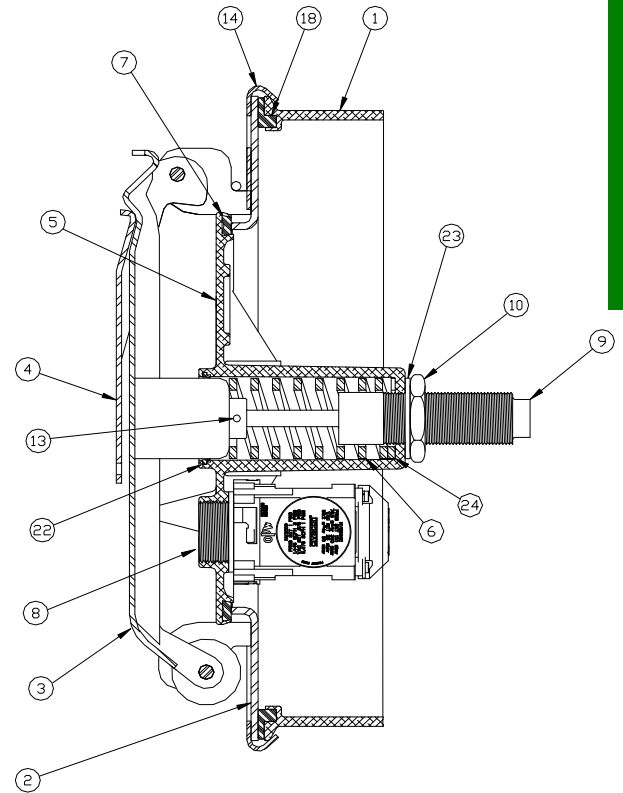
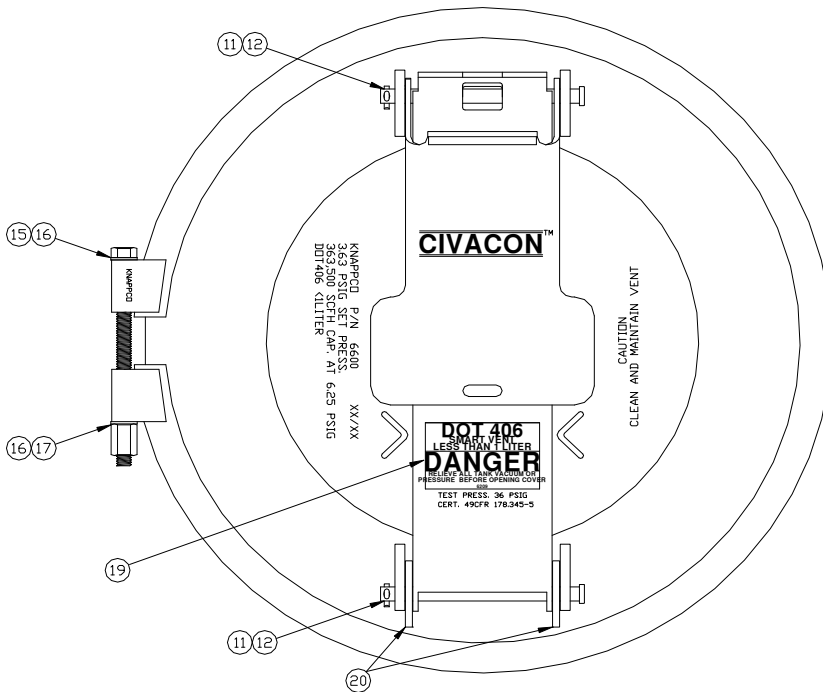
REPLACEMENT FILL COVER	
6600N	FILL COVER ASSEMBLY

1—Included in 6600N, 2—Also available in Viton—P/N 4873, 3—Also available in Viton—P/N 6263



SSTN11100 16" Manhole Assembly

PARTS BREAK DOWN



ITEM	PART NUMBER	DESCRIPTION	QTY.
1	4754	WELD RING	1
2	6151	COVER WELDMENT	1
3	6535 ¹	STRONGBACK	1
4	6121	LATCH	1
5	6533 ¹	FILL COVER	1
6	5895 ¹	SPRING	1
7	12022 ^{1,3}	GASKET	1
8	NV3000 ¹	PRESSURE VACUUM VENT	1
9	9241 ¹	MOTION CONTROL DEVICE	1
10	6374 ¹	LOCK NUT	1
11	5951	CLEVIS PIN	2
12	1045	COTTER PIN	2
13	6534 ¹	DRIVE PIN	1
14	3271	CLAMP RING	1

ITEM	PART NUMBER	DESCRIPTION	QTY.
15	1110	SCREW	1
16	1113	WASHER	2
17	5009	NUT	1
18	4645 ²	GASKET	1
19	6209 ¹	DECAL	1
20	6025	WASHER	2
22	6532 ¹	ROD WIPER	1
23	6375 ¹	SEAL WASHER	1
24	5203 ¹	BUSHING	4

Available without Weld Ring—P/N SSTN101100

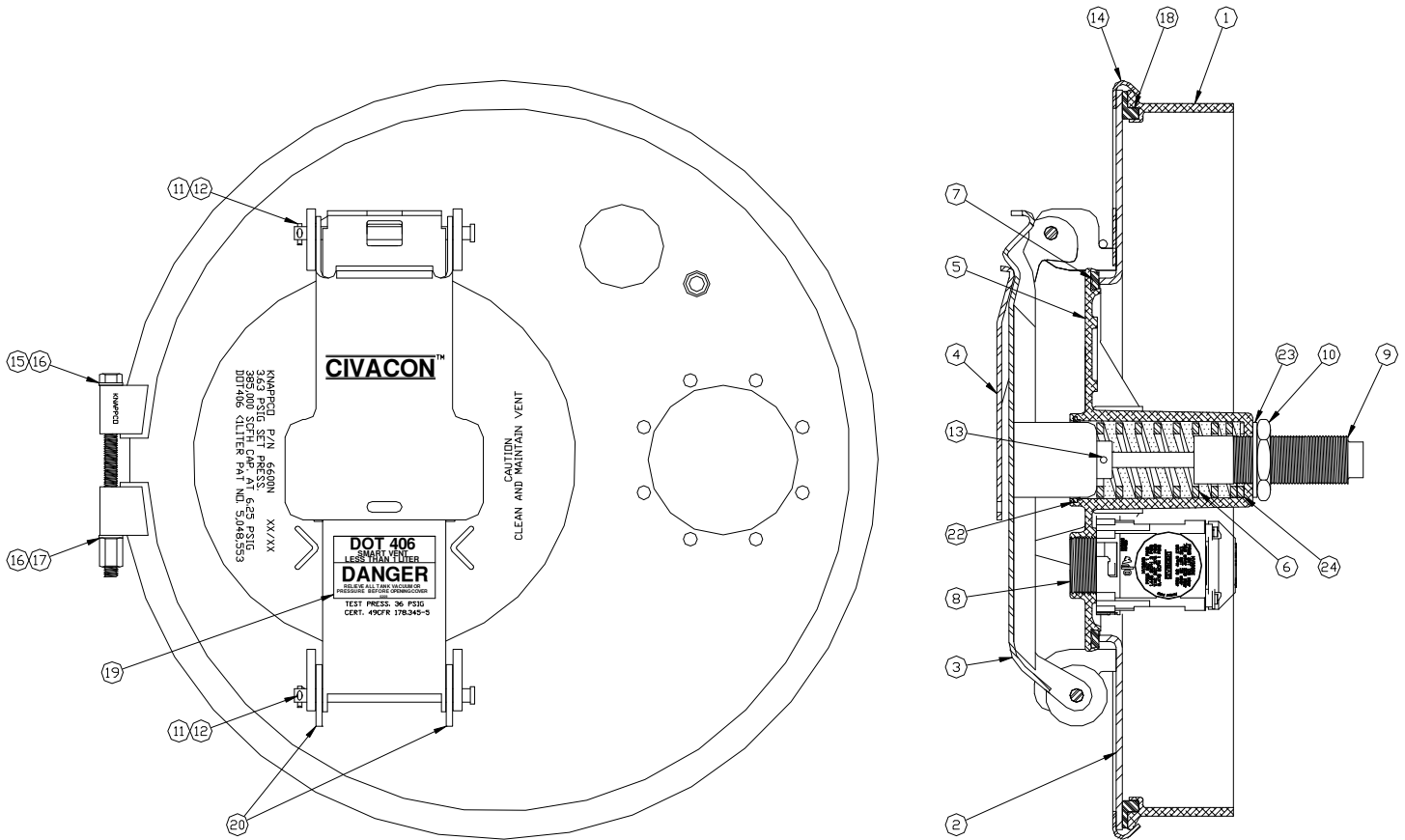
REPLACEMENT FILL COVER	
6600N	FILL COVER ASSEMBLY

1—Included in 6600N, 2—Also available in Viton—P/N 4873, 3—Also available in Viton—P/N 6263



SSWN11120 20" Manhole Assembly

PARTS BREAK DOWN



ITEM	PART NUMBER	DESCRIPTION	QTY.
1	4755	WELD RING	1
2	6049	COVER WELDMENT	1
3	6535 ¹	STRONGBACK	1
4	6121	LATCH	1
5	6533 ¹	FILL COVER	1
6	5895 ¹	SPRING	1
7	12022 ^{1,3}	GASKET	1
8	NV3000 ¹	PRESSURE VACUUM VENT	1
9	9241 ¹	MOTION CONTROL DEVICE	1
10	6374 ¹	LOCK NUT	1
11	5951	CLEVIS PIN	2
12	1045	COTTER PIN	2
13	6534 ¹	DRIVE PIN	1
14	3250	CLAMP RING	1

ITEM	PART NUMBER	DESCRIPTION	QTY.
15	1110	SCREW	1
16	1113	WASHER	2
17	5009	NUT	1
18	4646 ²	GASKET	1
19	6209 ¹	DECAL	1
20	6025	WASHER	2
22	6532 ¹	ROD WIPER	1
23	6375 ¹	SEAL WASHER	1
24	5203 ¹	BUSHING	4

Available without Weld Ring—P/N SSWN101120

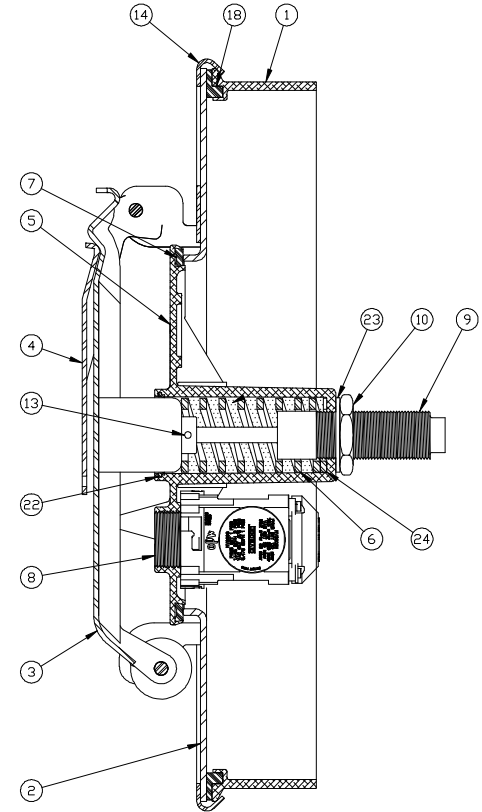
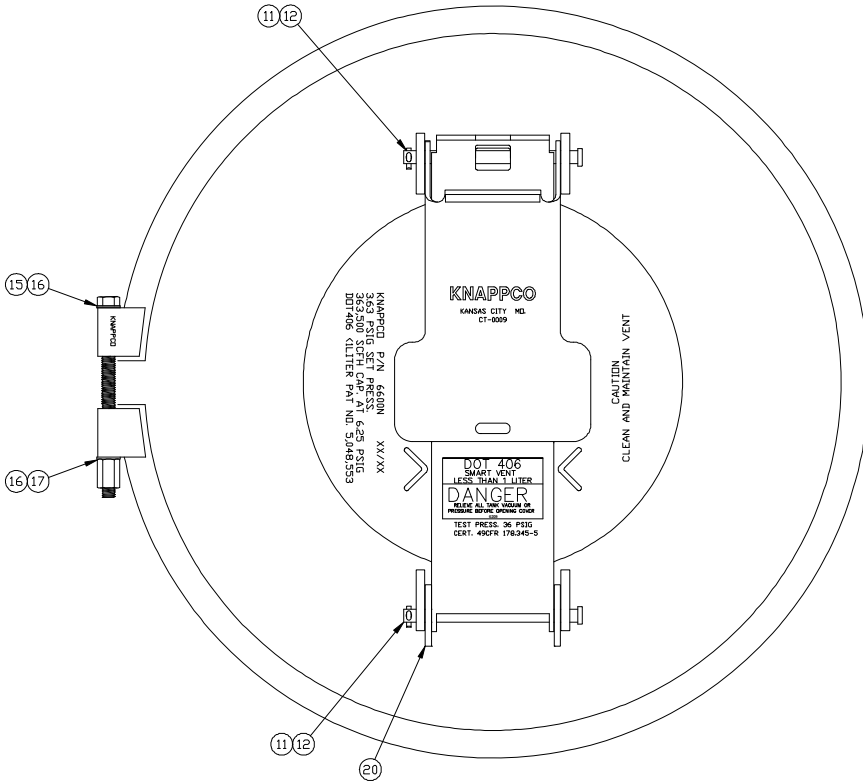
REPLACEMENT FILL COVER	
6600N	FILL COVER ASSEMBLY

1—Included in 6600N, 2—Also available in Viton—P/N 4874, 3—Also available in Viton—P/N 6263



SSUN11100 20" Manhole Assembly

PARTS BREAK DOWN



ITEM	PART NUMBER	DESCRIPTION	QTY.
1	4755	WELD RING	1
2	6153	COVER WELDMENT	1
3	6535 ¹	STRONGBACK	1
4	6121	LATCH	1
5	6533 ¹	FILL COVER	1
6	5895 ¹	SPRING	1
7	12022 ^{1,3}	GASKET	1
8	NV3000 ¹	PRESSURE VACUUM VENT	1
9	9241 ¹	MOTION CONTROL DEVICE	1
10	6374 ¹	LOCK NUT	1
11	5951	CLEVIS PIN	2
12	1045	COTTER PIN	2
13	6534 ¹	DRIVE PIN	1
14	3250	CLAMP RING	1

ITEM	PART NUMBER	DESCRIPTION	QTY.
15	1110	SCREW	1
16	1113	WASHER	2
17	5009	NUT	1
18	4646 ²	GASKET	1
19	6209 ¹	DECAL	1
20	6025	WASHER	2
22	6532 ¹	ROD WIPER	1
23	6375 ¹	SEAL WASHER	1
24	5203 ¹	BUSHING	4

Available without Weld Ring—P/N SSUN101100

REPLACEMENT FILL COVER	
6600N	FILL COVER ASSEMBLY

1—Included in 6600N, 2—Also available in Viton—P/N 4874, 3—Also available in Viton—P/N 6263