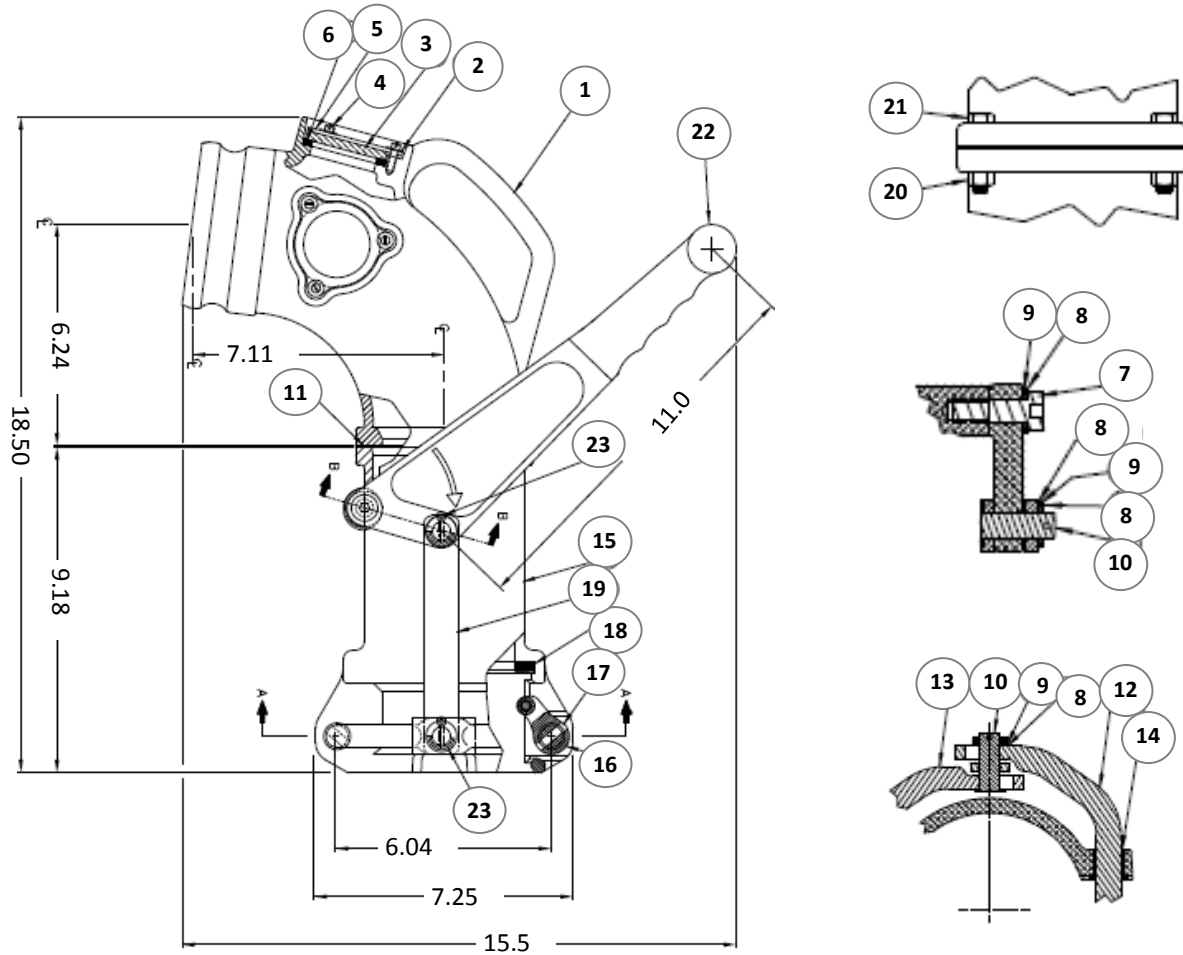


60TT 4" Product Delivery Elbow



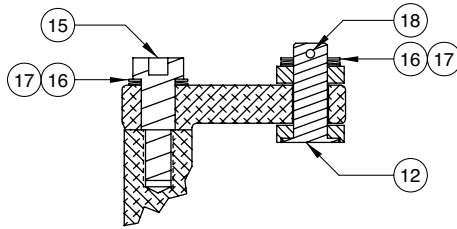
ITEM	PART NUMBER	DESCRIPTION	QTY.	ITEM	PART NUMBER	DESCRIPTION	QTY.
1	E00266	UPPER BODY	1	18	H04137M	GASKET	1
2	H04225M	LOCK WASHER	9	19	C10146M	LINK	1
3	H20583M	SIGHT GLASS	3	20	H06151M	HEX NUT	4
4	H52471M	SCREW	9	21	H03114M	SCREW	4
5	H04135M	RETAINING PLATE	3	22	C10125M	HANDLE	1
6	H20010M	GASKET	3	23	H07281M	COTTER PIN	2
7	H20509M	BOLT	1	REPAIR PARTS			
8	H083866M	FLAT WASHER	6				
9	H10088M	SPRING WASHER	4	E00266	UPPER BODY ASSY W WINDOWS		
10	H20373M	PIN	2	60WRK	WINDOW REPLACEMENT		
11	H10039M	GASKET	1	60TTK	YOKE ASSY REPLACEMENT KIT		
12	C10144M	DRIVE STEM OUT	1	60TRK	HANDLE/LINKAGE REPLACEMENT		



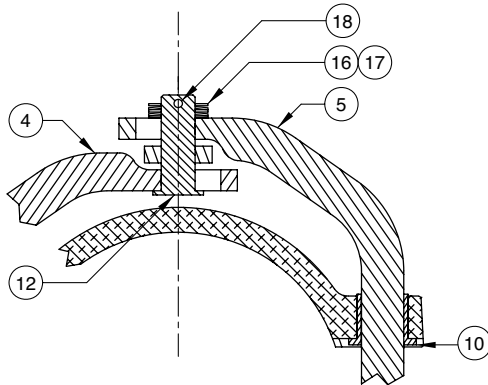
60TTF 4" Product Delivery Elbow

Replacement Parts

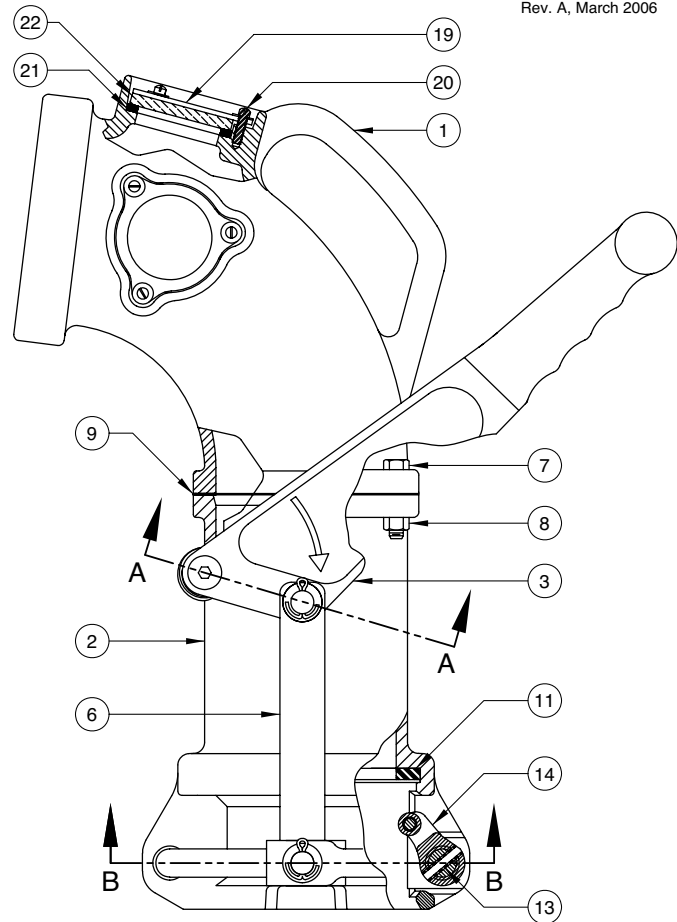
Rev. A, March 2006



SECTION A-A



SECTION B-B



ITEM	PART NUMBER	DESCRIPTION	QTY.
1	E00269A	UPPER BODY ⁴	1
2	E00259A	LOWER BODY	1
3	C10125M	HANDLE ³	1
4	C10143M	DRIVE STEM (INNER) ³	1
5	C10144M	DRIVE STEM (OUTER) ³	1
6	C10146M	ELBOW LINK (UPPER BODY) ³	1
7	H03114M	HEX CAP SCREW	4
8	H06151M	HEX NUT	4
9	H10039M	GASKET (NEOPRENE FIBER)	1
10	H10090M	FLANGE BEARING	4
11	H04137M	SEAT RING (BUNA)	1
12	H20373M	PIN (CLEVIS) ³	2
13	H20476M	PIN (SPRING) ^{2,3}	2
14	H20495M	YOKE ASSEMBLY ²	2
15	H51427M	SHOULDER SCREW ³	1

ITEM	PART NUMBER	DESCRIPTION	QTY.
16	H03866M	FLAT WASHER ³	6
17	H10088M	SPRING WASHER ³	4
18	H51787M	COTTER PIN ³	2
19	H04135M	RETAINING PLATE ^{1,4}	3
20	H52471M	SCREW ^{1,4}	9
21	H20010M	GASKET (BUNA) ^{1,4}	3
22	H20583M	WINDOW ^{1,4}	3

REPAIR KITS		
PART NUMBER	DESCRIPTION	QTY.
E00269	UPPER BODY ASSY (W / WINDOWS)	N/A
60WRK	WINDOW REPLACEMENT KIT	N/A
60TTK	YOKE ASSEMBLY REPLACEMENT KIT	N/A
60TRK	HANDLE/LINKAGE REPLACEMENT KIT	N/A

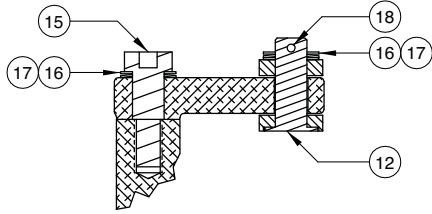
1 - Included in 60WRK, 2 - Included in 60TTK, 3 - Included in 60TRK, 4 - Included in E00264



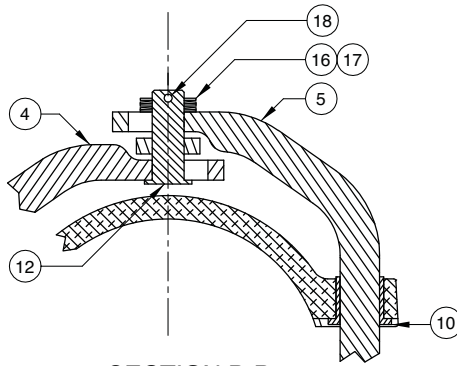
60TTC 4" Product Delivery Elbow

Replacement Parts

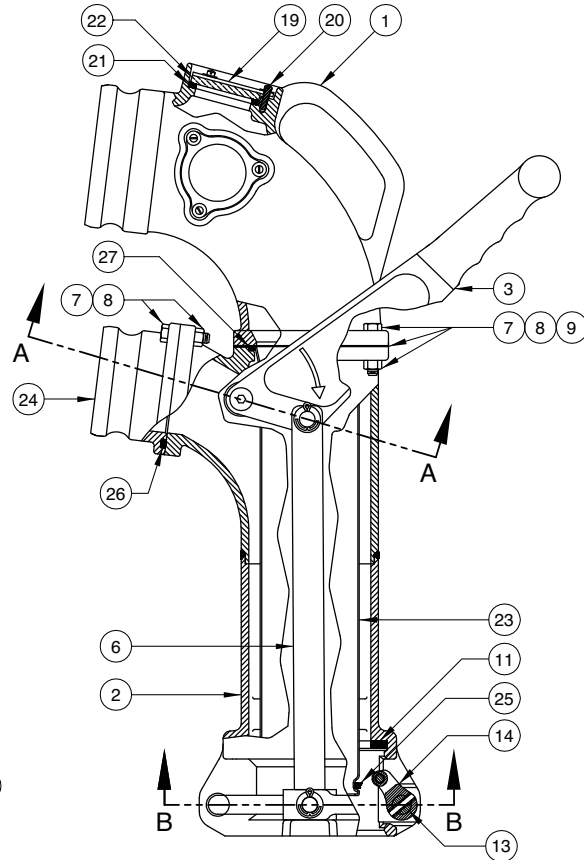
Rev. 2, May 2008



SECTION A-A



SECTION B-B



ITEM	PART NUMBER	DESCRIPTION	QTY.
1	E00266A	UPPER BODY ⁴	1
2	C10012	LOWER BODY	1
3	C10125M	HANDLE ³	1
4	C10143M	DRIVE STEM (INNER) ³	1
5	C10144M	DRIVE STEM (OUTER) ³	1
6	C10124M	ELBOW LINK (UPPER BODY) ³	1
7	H03114M	HEX CAP SCREW	8
8	H06151M	HEX NUT	8
9	H10039M	GASKET (NEOPRENE FIBER)	1
10	H10090M	FLANGE BEARING	4
11	H04137M	SEAT RING (BUNA)	1
12	H20373M	PIN (CLEVIS) ³	2
13	H20476M	PIN (SPRING) ^{2,3}	2
14	H20495M	YOKE ASSEMBLY ²	2
15	H51427M	SHOULDER SCREW ³	1
16	H03866M	FLAT WASHER ³	6
17	H10088M	SPRING WASHER ³	4
18	H51787M	COTTER PIN ³	2

ITEM	PART NUMBER	DESCRIPTION	QTY.
19	H04135M	RETAINING PLATE ^{1,4}	3
20	H52471M	SCREW ^{1,4}	9
21	H20010M	GASKET (BUNA) ^{1,4}	3
22	H20583M	WINDOW ^{1,4}	3
23	C03355M	TUBE	1
24	C10049M	VAPOR ADAPTOR	1
25	H05471M	LIP SEAL (VITON)	1
26	H20191M	O-RING (BUNA)	1
27	H10262M	GASKET (BUNA)	1

REPAIR KITS		
PART NUMBER	DESCRIPTION	QTY.
E00266	UPPER BODY ASSY (W / WINDOWS)	N/A
60WRK	WINDOW REPLACEMENT KIT	N/A
60TTK	YOKE ASSEMBLY REPLACEMENT KIT	N/A
60CRK	HANDLE/LINKAGE REPLACEMENT KIT	N/A

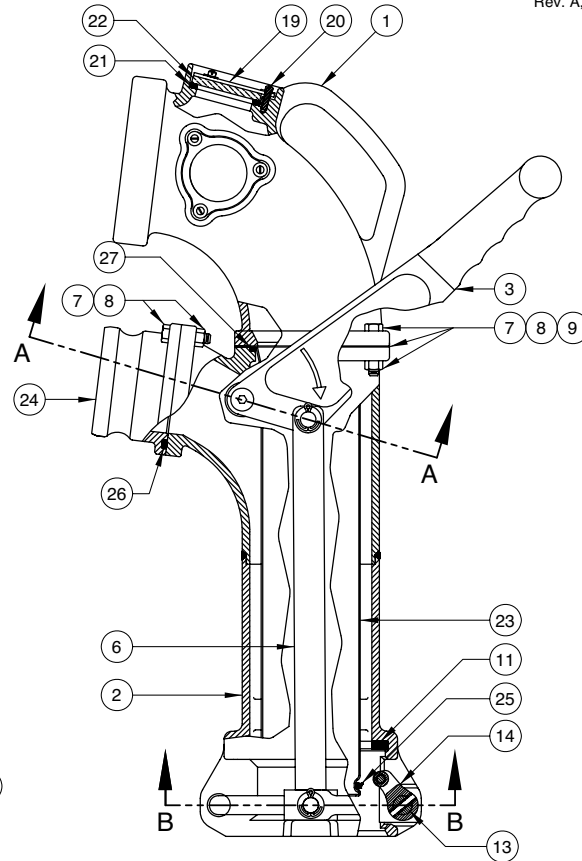
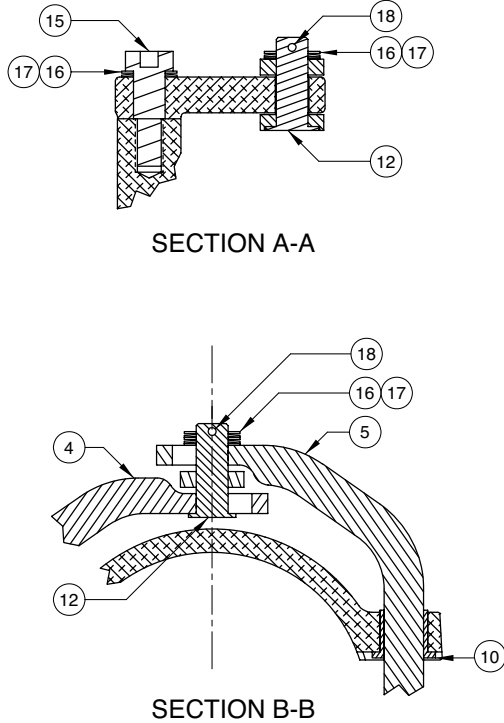
1 - Included in 60WRK, 2 - Included in 60TTK, 3 - Included in 60CRK, 4 - Included in E00266



60TTCF 4" Product Delivery Elbow

Replacement Parts

Rev. A, March 2006



ITEM	PART NUMBER	DESCRIPTION	QTY.
1	000000	UPPER BODY ⁴	1
2	C10012	LOWER BODY	1
3	C10125M	HANDLE ³	1
4	C10143M	DRIVE STEM (INNER) ³	1
5	C10144M	DRIVE STEM (OUTER) ³	1
6	C10124M	ELBOW LINK (UPPER BODY) ³	1
7	H03114M	HEX CAP SCREW	8
8	H06151M	HEX NUT	8
9	H10039M	GASKET (NEOPRENE FIBER)	1
10	H10090M	FLANGE BEARING	4
11	H04137M	SEAT RING (BUNA)	1
12	H20373M	PIN (CLEVIS) ³	2
13	H20476M	PIN (SPRING) ^{2,3}	2
14	H20495M	YOKE ASSEMBLY ²	2
15	H51427M	SHOULDER SCREW ³	1
16	H03866M	FLAT WASHER ³	6
17	H10088M	SPRING WASHER ³	4
18	H51787M	COTTER PIN ³	2

ITEM	PART NUMBER	DESCRIPTION	QTY.
19	H04135M	RETAINING PLATE ^{1,4}	3
20	H52471M	SCREW ^{1,4}	9
21	H20010M	GASKET (BUNA) ^{1,4}	3
22	H20583M	WINDOW ^{1,4}	3
23	C03355M	TUBE	1
24	C10049M	VAPOR ADAPTOR	1
25	H05471M	LIP SEAL (VITON)	1
26	H20191M	O-RING (BUNA)	1
27	H10262M	GASKET (BUNA)	1

REPAIR KITS		
PART NUMBER	DESCRIPTION	QTY.
E00269	UPPER BODY ASSY (W / WINDOWS)	N/A
60WRK	WINDOW REPLACEMENT KIT	N/A
60TTK	YOKE ASSEMBLY REPLACEMENT KIT	N/A
60CRK	HANDLE/LINKAGE REPLACEMENT KIT	N/A

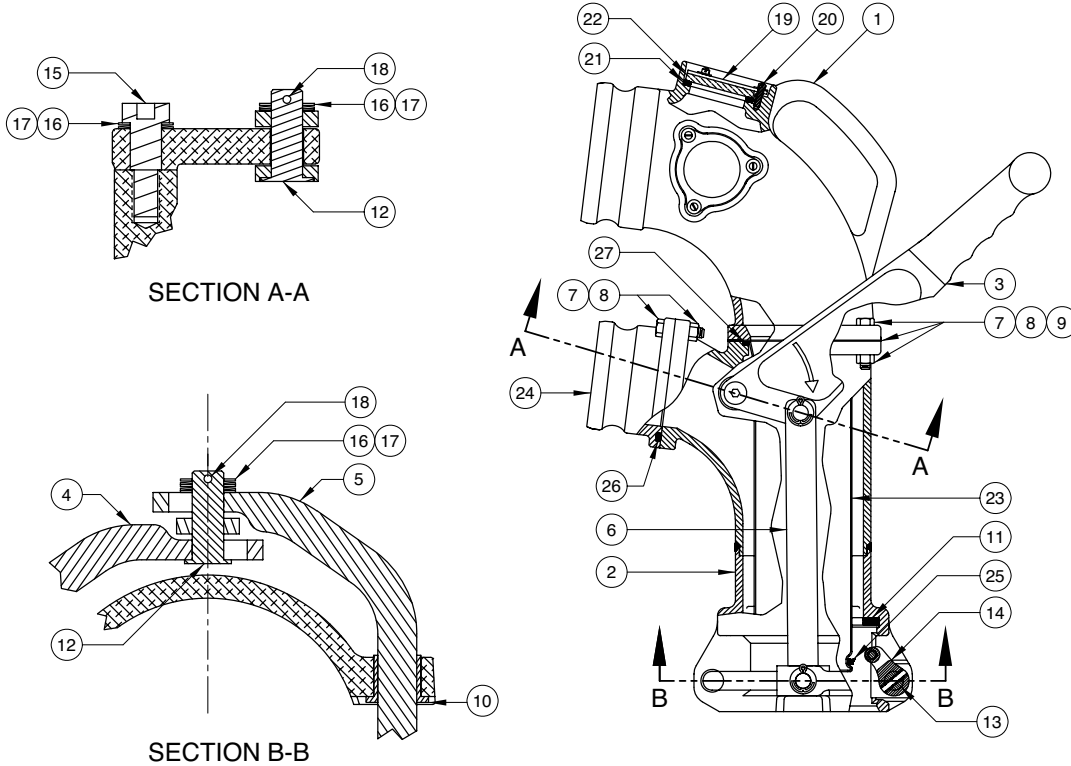
1 - Included in 60WRK, 2 - Included in 60TTK, 3 - Included in 60CRK, 4 - Included in E00264



60TTCS 4" Product Delivery Elbow

Replacement Parts

Rev. 0, January 2003



ITEM	PART NUMBER	DESCRIPTION	QTY.
1	E00266A	UPPER BODY ⁴	1
2	C10056	LOWER BODY	1
3	C10125M	HANDLE ³	1
4	C10143M	DRIVE STEM (INNER) ³	1
5	C10144M	DRIVE STEM (OUTER) ³	1
6	C10145M	ELBOW LINK (UPPER BODY) ³	1
7	H03114M	HEX CAP SCREW	8
8	H06151M	HEX NUT	8
9	H10039M	GASKET (NEOPRENE FIBER)	1
10	H10090M	FLANGE BEARING	4
11	H04137M	SEAT RING (BUNA)	1
12	H20373M	PIN (CLEVIS) ³	2
13	H20476M	PIN (SPRING) ^{2,3}	2
14	H20495M	YOKE ASSEMBLY ²	2
15	H51427M	SHOULDER SCREW ³	1
16	H03866M	FLAT WASHER ³	6
17	H10088M	SPRING WASHER ³	4
18	H51787M	COTTER PIN ³	2

ITEM	PART NUMBER	DESCRIPTION	QTY.
19	H04135M	RETAINING PLATE ^{1,4}	3
20	H52471M	SCREW ^{1,4}	9
21	H20010M	GASKET (BUNA) ^{1,4}	3
22	H20583M	WINDOW ^{1,4}	3
23	C10007M	TUBE	1
24	C10049M	VAPOR ADAPTOR	1
25	H05471M	LIP SEAL (VITON)	1
26	H20191M	O-RING (BUNA)	1
27	H10262M	GASKET (BUNA)	1

REPAIR KITS		
PART NUMBER	DESCRIPTION	QTY.
E00266	UPPER BODY ASSY (W / WINDOWS)	N/A
60WRK	WINDOW REPLACEMENT KIT	N/A
60TTK	YOKE ASSEMBLY REPLACEMENT KIT	N/A
60CSRK	HANDLE/LINKAGE REPLACEMENT KIT	N/A

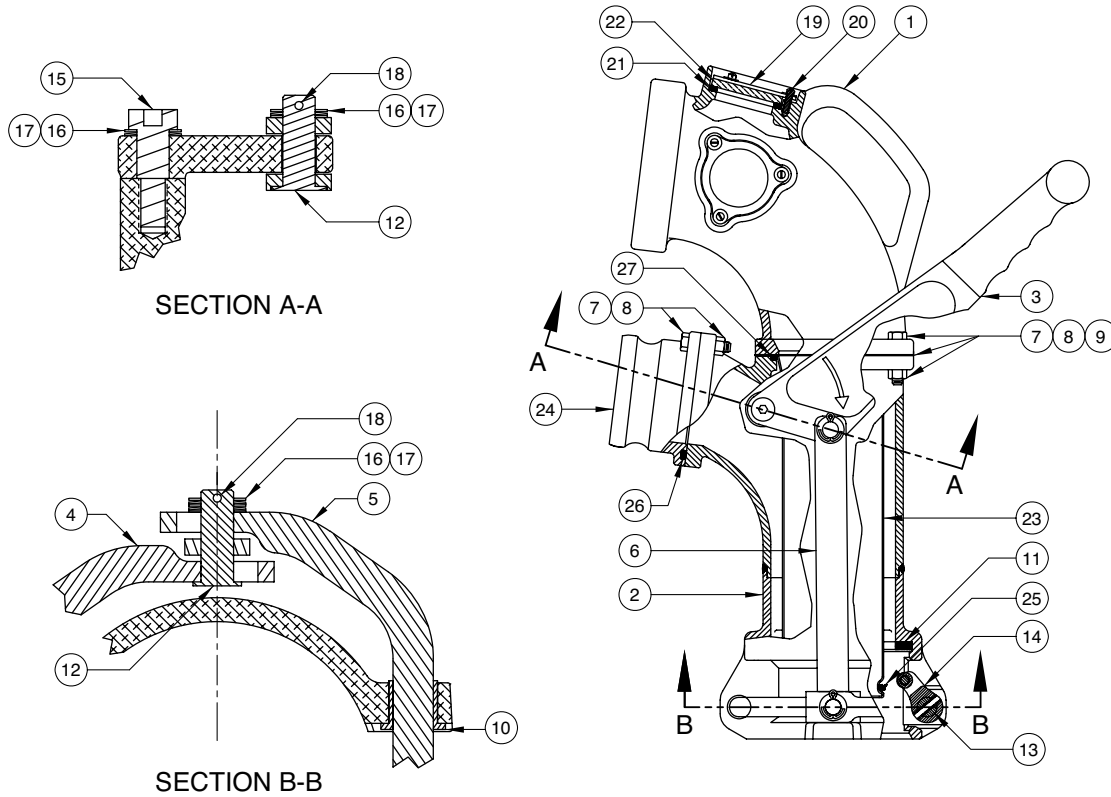
1 - Included in 60WRK, 2 - Included in 60TTK, 3 - Included in 60CSRK, 4 - Included in E00266



60TTCFS 4" Product Delivery Elbow

Replacement Parts

Rev. A, March 2006



ITEM	PART NUMBER	DESCRIPTION	QTY.
1	E00269A	UPPER BODY ⁴	1
2	C10056	LOWER BODY	1
3	C10125M	HANDLE ³	1
4	C10143M	DRIVE STEM (INNER) ³	1
5	C10144M	DRIVE STEM (OUTER) ³	1
6	C10145M	ELBOW LINK (UPPER BODY) ³	1
7	H03114M	HEX CAP SCREW	8
8	H06151M	HEX NUT	8
9	H10039M	GASKET (NEOPRENE FIBER)	1
10	H10090M	FLANGE BEARING	4
11	H04137M	SEAT RING (BUNA)	1
12	H20373M	PIN (CLEVIS) ³	2
13	H20476M	PIN (SPRING) ^{2,3}	2
14	H20495M	YOKE ASSEMBLY ²	2
15	H51427M	SHOULDER SCREW ³	1
16	H03866M	FLAT WASHER ³	6
17	H10088M	SPRING WASHER ³	4
18	H51787M	COTTER PIN ³	2

ITEM	PART NUMBER	DESCRIPTION	QTY.
19	H04135M	RETAINING PLATE ^{1,4}	3
20	H52471M	SCREW ^{1,4}	9
21	H20010M	GASKET (BUNA) ^{1,4}	3
22	H20583M	WINDOW ^{1,4}	3
23	C10007M	TUBE	1
24	C10049M	VAPOR ADAPTOR	1
25	H05471M	LIP SEAL (VITON)	1
26	H20191M	O-RING (BUNA)	1
27	H10262M	GASKET (BUNA)	1

REPAIR KITS		
PART NUMBER	DESCRIPTION	QTY.
E00269	UPPER BODY ASSY (W / WINDOWS)	N/A
60WRK	WINDOW REPLACEMENT KIT	N/A
60TTK	YOKE ASSEMBLY REPLACEMENT KIT	N/A
60CSRK	HANDLE/LINKAGE REPLACEMENT KIT	N/A

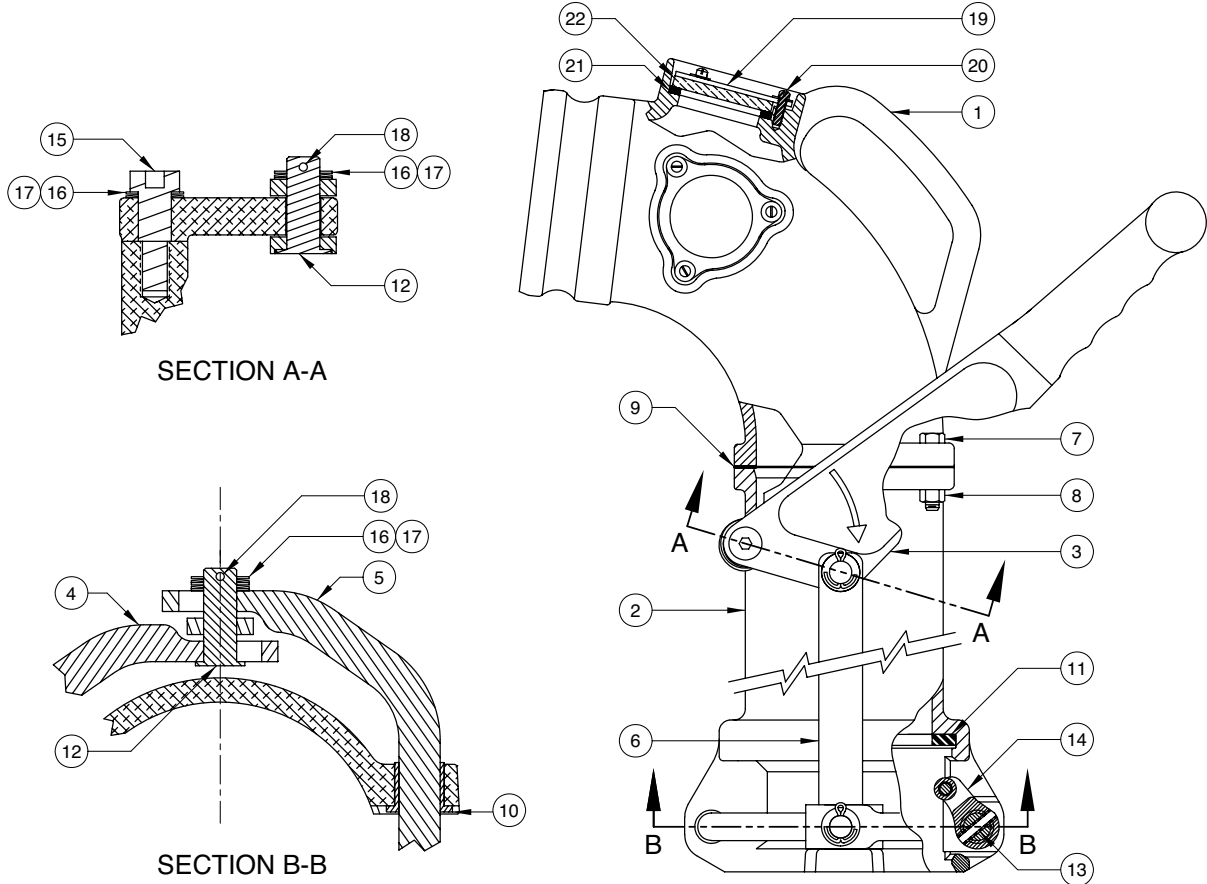
1 - Included in 60WRK, 2 - Included in 60TTK, 3 - Included in 60CSRK, 4 - Included in E00269



60TTT 4" Product Delivery Elbow

Replacement Parts

Rev. A, March 2006



ITEM	PART NUMBER	DESCRIPTION	QTY.
1	E00266A	UPPER BODY ⁴	1
2	E51638A	LOWER BODY (TALL)	1
3	C10125M	HANDLE ³	1
4	C10143M	DRIVE STEM (INNER) ³	1
5	C10144M	DRIVE STEM (OUTER) ³	1
6	C10145M	ELBOW LINK (TALL) ³	1
7	H03114M	HEX CAP SCREW	4
8	H06151M	HEX NUT	4
9	H10039M	GASKET (NEOPRENE FIBER)	1
10	H10090M	FLANGE BEARING	4
11	H04137M	SEAT RING (BUNA)	1
12	H20373M	PIN (CLEVIS) ³	2
13	H20476M	PIN (SPRING) ^{2,3}	2
14	H20495M	YOKE ASSEMBLY ²	2
15	H51427M	SHOULDER SCREW ³	1

ITEM	PART NUMBER	DESCRIPTION	QTY.
16	H03866M	FLAT WASHER ³	6
17	H10088M	SPRING WASHER ³	4
18	H51787M	COTTER PIN ³	2
19	H04135M	RETAINING PLATE ^{1,4}	3
20	H52471M	SCREW ^{1,4}	9
21	H20010M	GASKET (BUNA) ^{1,4}	3
22	H20583M	WINDOW ^{1,4}	3

REPAIR KITS		
PART NUMBER	DESCRIPTION	QTY.
E00266	UPPER BODY ASSY (W / WINDOWS)	N/A
60WRK	WINDOW REPLACEMENT KIT	N/A
60TTK	YOKE ASSEMBLY REPLACEMENT KIT	N/A
60TTTRK	HANDLE/LINKAGE REPLACEMENT KIT	N/A

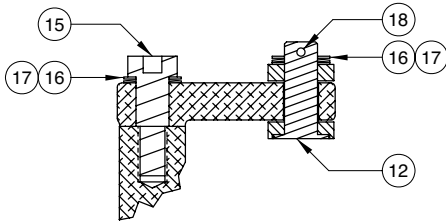
1 - Included in 60WRK, 2 - Included in 60TTK, 3 - Included in 60TTTRK, 4 - Included in E00254



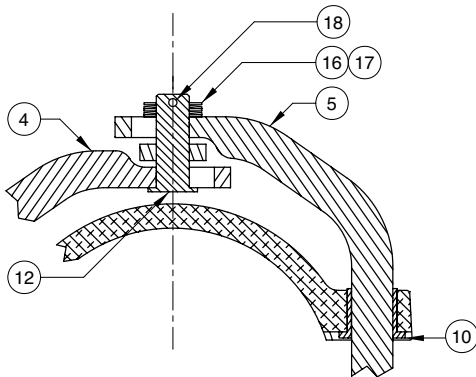
60TTTF 4" Product Delivery Elbow

Replacement Parts

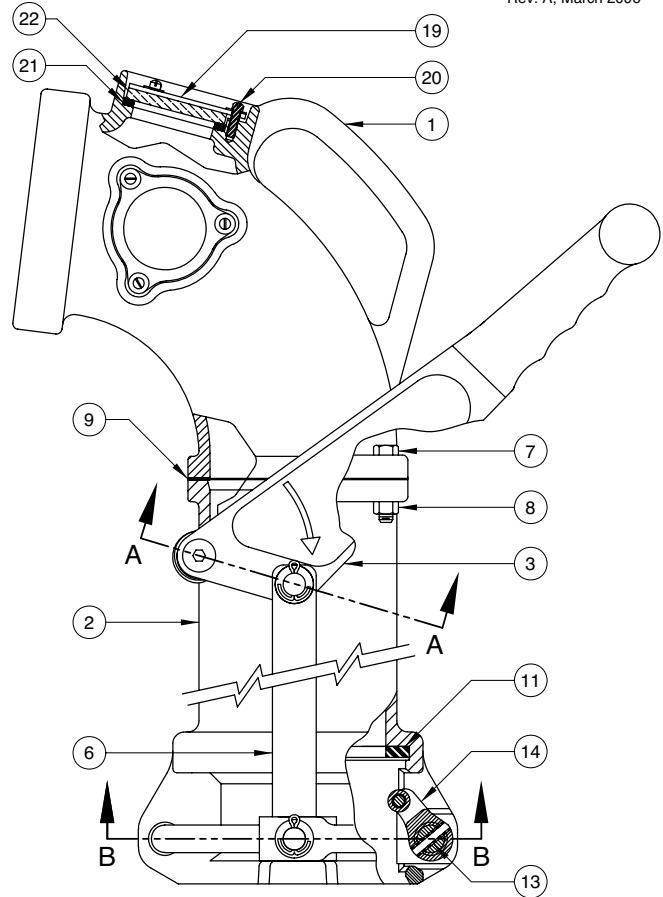
Rev. A, March 2006



SECTION A-A



SECTION B-B



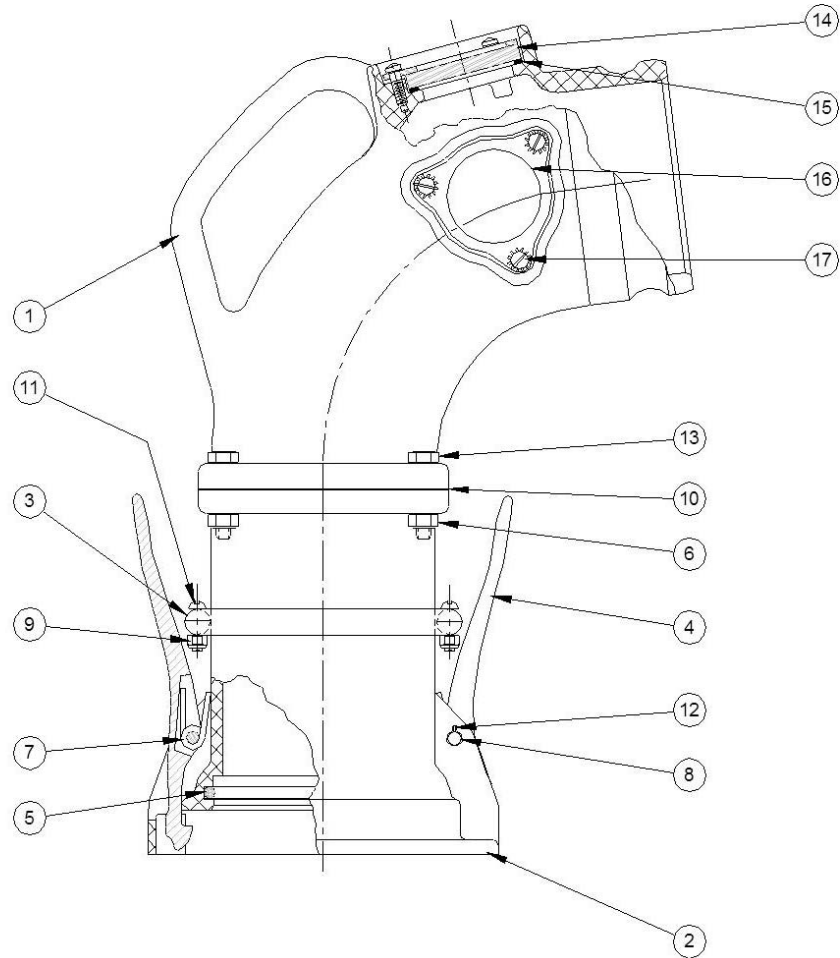
ITEM	PART NUMBER	DESCRIPTION	QTY.
1	E00269A	UPPER BODY ⁴	1
2	E51638A	LOWER BODY (TALL)	1
3	C10125M	HANDLE ³	1
4	C10143M	DRIVE STEM (INNER) ³	1
5	C10144M	DRIVE STEM (OUTER) ³	1
6	C10145M	ELBOW LINK (TALL) ³	1
7	H03114M	HEX CAP SCREW	4
8	H06151M	HEX NUT	4
9	H10039M	GASKET (NEOPRENE FIBER)	1
10	H10090M	FLANGE BEARING	4
11	H04137M	SEAT RING (BUNA)	1
12	H20373M	PIN (CLEVIS) ³	2
13	H20476M	PIN (SPRING) ^{2,3}	2
14	H20495M	YOKE ASSEMBLY ²	2
15	H51427M	SHOULDER SCREW ³	1

ITEM	PART NUMBER	DESCRIPTION	QTY.
16	H03866M	FLAT WASHER ³	6
17	H10088M	SPRING WASHER ³	4
18	H51787M	COTTER PIN ³	2
19	H04135M	RETAINING PLATE ^{1,4}	3
20	H52471M	SCREW ^{1,4}	9
21	H20010M	GASKET (BUNA) ^{1,4}	3
22	H20583M	WINDOW ^{1,4}	3

REPAIR KITS		
PART NUMBER	DESCRIPTION	QTY.
E00269	UPPER BODY ASSY (W / WINDOWS)	N/A
60WRK	WINDOW REPLACEMENT KIT	N/A
60TTK	YOKE ASSEMBLY REPLACEMENT KIT	N/A
60TTTRK	HANDLE/LINKAGE REPLACEMENT KIT	N/A

1 - Included in 60WRK, 2 - Included in 60TTK, 3 - Included in 60TTTRK, 4 - Included in E00264

60AS Product Delivery Elbow Side Seal

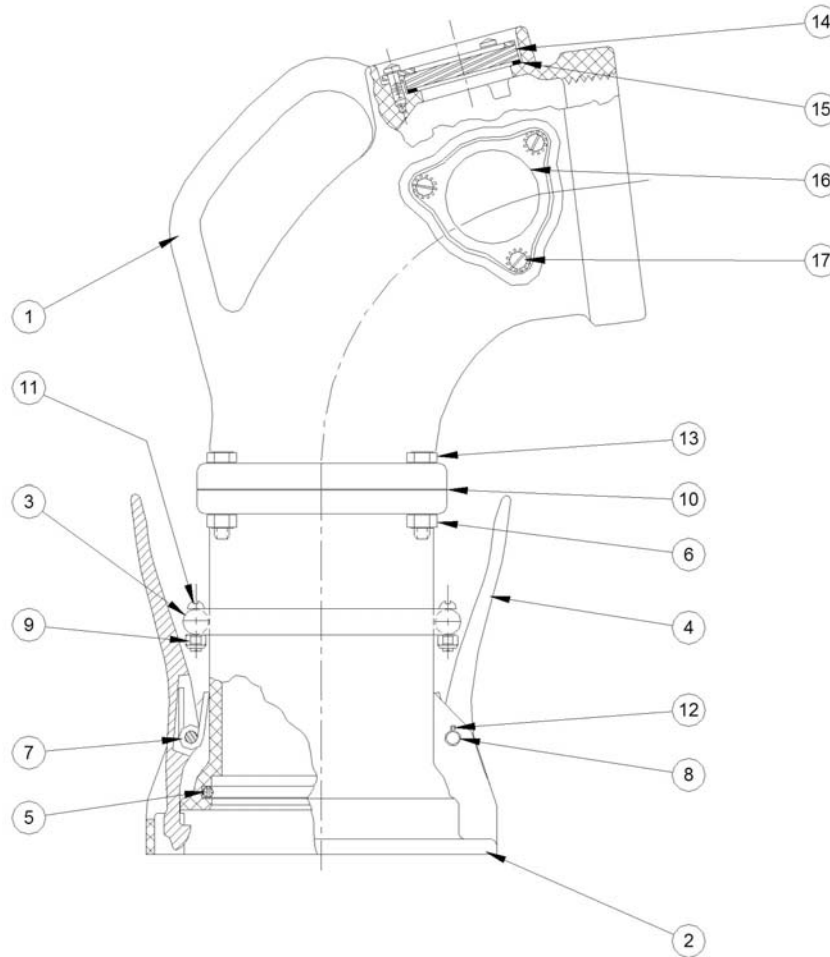


ITEM	PART NUMBER	DESCRIPTION	QTY.
1	E00266A	UPPER BODY	1
2	E00255A	LOWER BODY	1
3	H02269A	RING ¹	2
4	C03262B	LOCK LEVER	2
5	H03740M	O-RING, BUNA	1
6	H06151M	HEX NUT	4
7	H07284M	SPRING	2
8	H07288RE	PIN	2
9	H08637M	HEX NUT ¹	2
10	H10039M	GASKET	1

ITEM	PART NUMBER	DESCRIPTION	QTY.
11	H20037M	SCREW ¹	2
12	H20407M	RETAINING RING	4
13	H03114M	BOLT	4
14	H20583M	SIGHT GLASS ²	3
15	H20010M	GASKET ²	3
16	H04135M	RETAINING PLATE ²	3
17	H52471M	SCREW ²	9

1	60L-AL40 ¹	4" LOCK RING ASSY	1
1	60WRK ²	WINDOW REPLACEMENT KIT	1

60ASF Product Delivery Elbow Side Seal



ITEM	PART NUMBER	DESCRIPTION	QTY.
1	E00269A	UPPER BODY	1
2	E00255A	LOWER BODY	1
3	H02269A	RING ¹	2
4	C03262B	LOCK LEVER	2
5	H03740M	O-RING, BUNA	1
6	H06151M	HEX NUT	4
7	H07284M	SPRING	2
8	H07288RE	PIN	2
9	H08637M	HEX NUT ¹	2
10	H10039M	GASKET	1

ITEM	PART NUMBER	DESCRIPTION	QTY.
11	H20037M	SCREW ¹	2
12	H20407M	RETAINING RING	4
13	H03114M	BOLT	4
14	H20583M	SIGHT GLASS ²	3
15	H20010M	GASKET ²	3
16	H04135M	RETAINING PLATE ²	3
17	H52471M	SCREW ²	9

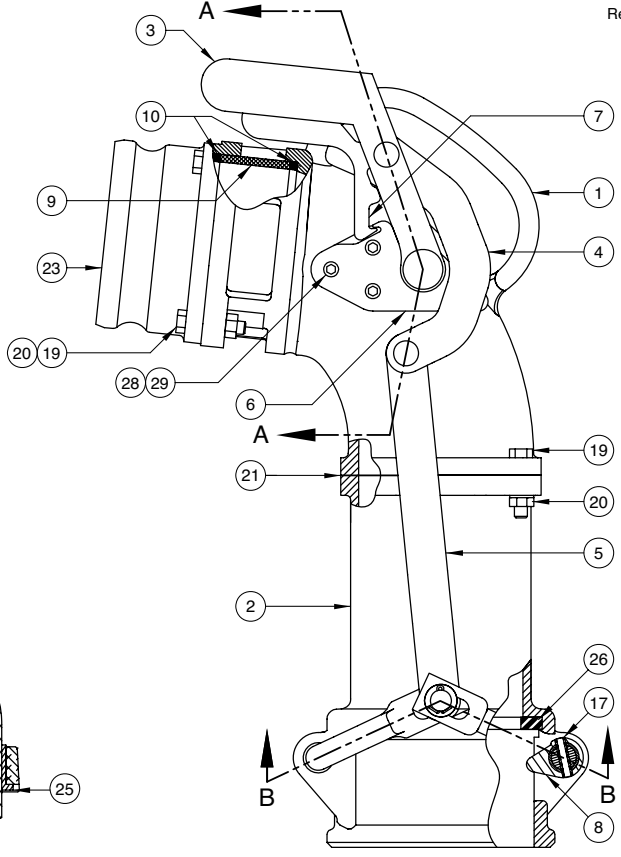
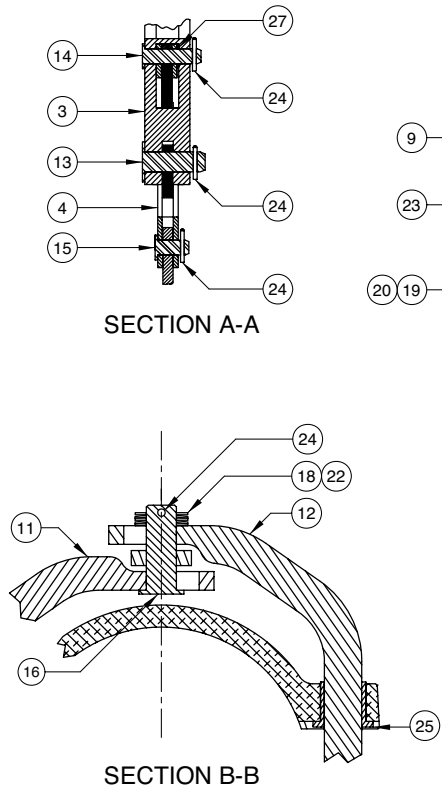
1	60L-AL40 ¹	4" LOCK RING ASSY	1
1	60WRK ²	WINDOW REPLACEMENT KIT	1



65TT 4" Product Delivery Elbow

Replacement Parts

Rev. 0, January 2003



ITEM	PART NUMBER	DESCRIPTION	QTY.
1	E52358A	UPPER BODY	1
2	E52357A	LOWER BODY	1
3	E52360A	HANDLE ²	1
4	E52361M	UPPER LINK ⁵	1
5	E52362M	LOWER LINK ⁵	1
6	D52363M	HANDLE BRACKET ⁴	1
7	D52364M	LATCH ²	1
8	C52365B	CAM ³	2
9	C52372M	SIGHT GLASS ¹	1
10	H52373M	GASKET (BUNA) ^{1,6}	2
11	D52374M	DRIVE STEM (LEFT) ⁷	1
12	D52375M	DRIVE STEM (RIGHT) ⁷	1
13	H52380M	PIN (HANDLE) ²	1
14	H52381M	PIN (LATCH) ^{2,5}	1
15	H52382M	PIN (UPPER LINKAGE) ⁵	1
16	H20373M	PIN (LOWER LINKAGE) ^{5,7}	1
17	H20476M	SPRING PIN ³	4
18	H03866M	WASHER (7/16") ^{5,7}	6
19	H03114M	SCREW (HEX CAP) ^{1,6}	8
20	H06151M	HEX NUT ^{1,6}	8

ITEM	PART NUMBER	DESCRIPTION	QTY.
21	H10039M	GASKET (NEOPRENE FIBER)	1
22	H10088M	WASHER (SPRING) ^{5,7}	3
23	D10231A	ADAPTOR (MALE) ⁶	1
24	H51787M	COTTER PIN ^{2,5,7}	4
25	H10090M	FLANGE BEARING ⁷	4
26	H04137M	SEAT RING (BUNA)	1
27	4345	WASHER (3/8") ^{2,5}	1
28	H52071M	WASHER (1/4") ⁴	3
29	9163	SCREW (SOCKET) ⁴	3

REPAIR KITS		
PART NUMBER	DESCRIPTION	QTY.
65SGK	SIGHT GLASS REPLACEMENT KIT	N/A
65HRK	HANDLE REPLACEMENT KIT	N/A
65CRK	CAM REPLACEMENT KIT	N/A
65HBK	HANDLE BRKT REPLACEMENT KIT	N/A
65LRK	LINKAGE REPLACEMENT KIT	N/A
65ARK	ADAPTOR REPLACEMENT KIT	N/A
65DSK	DRIVE STEM REPLACEMENT KIT	N/A

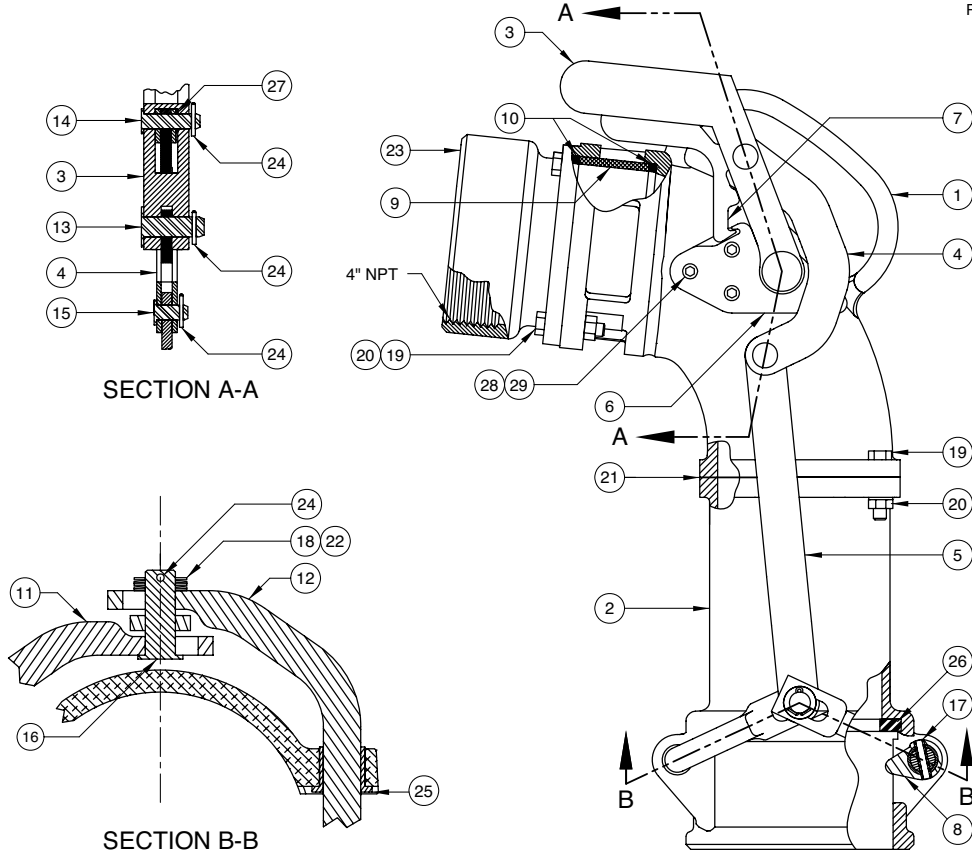
1 - Included in 65SGK, 2 - Included in 65HRK, 3 - Included in 65CRK, 4 - Included in 65HBK
5 - Included in 65LRK, 6 - Included in 65ARK, 7 - Included in 65DSK



65TTF 4" Product Delivery Elbow

Replacement Parts

Rev. 0, January 2003



ITEM	PART NUMBER	DESCRIPTION	QTY.
1	E52358A	UPPER BODY	1
2	E52357A	LOWER BODY	1
3	E52360A	HANDLE ²	1
4	E52361M	UPPER LINK ⁵	1
5	E52362M	LOWER LINK ⁵	1
6	D52363M	HANDLE BRACKET ⁴	1
7	D52364M	LATCH ²	1
8	C52365B	CAM ³	2
9	C52372M	SIGHT GLASS ¹	1
10	H52373M	GASKET (BUNA) ^{1,6}	2
11	D52374M	DRIVE STEM (LEFT) ⁷	1
12	D52375M	DRIVE STEM (RIGHT) ⁷	1
13	H52380M	PIN (HANDLE) ²	1
14	H52381M	PIN (LATCH) ^{2,5}	1
15	H52382M	PIN (UPPER LINKAGE) ⁵	1
16	H20373M	PIN (LOWER LINKAGE) ^{5,7}	1
17	H20476M	SPRING PIN ³	4
18	H03866M	WASHER (7/16") ^{5,7}	6
19	H03114M	SCREW (HEX CAP) ^{1,6}	8
20	H06151M	HEX NUT ^{1,6}	8

ITEM	PART NUMBER	DESCRIPTION	QTY.
21	H10039M	GASKET (NEOPRENE FIBER)	1
22	H10088M	WASHER (SPRING) ^{5,7}	3
23	D51595A	ADAPTOR (FEMALE) ⁶	1
24	H51787M	COTTER PIN ^{2,5,7}	4
25	H10090M	FLANGE BEARING ⁷	4
26	H04137M	SEAT RING (BUNA)	1
27	4345	WASHER (3/8") ^{2,5}	1
28	H52071M	WASHER (1/4") ⁴	3
29	9163	SCREW (SOCKET) ⁴	3

REPAIR KITS		
PART NUMBER	DESCRIPTION	QTY.
65SGK	SIGHT GLASS REPLACEMENT KIT	N/A
65HRK	HANDLE REPLACEMENT KIT	N/A
65CRK	CAM REPLACEMENT KIT	N/A
65HBK	HANDLE BRKT REPLACEMENT KIT	N/A
65LRK	LINKAGE REPLACEMENT KIT	N/A
65AFK	ADAPTOR REPLACEMENT KIT	N/A
65DSK	DRIVE STEM REPLACEMENT KIT	N/A

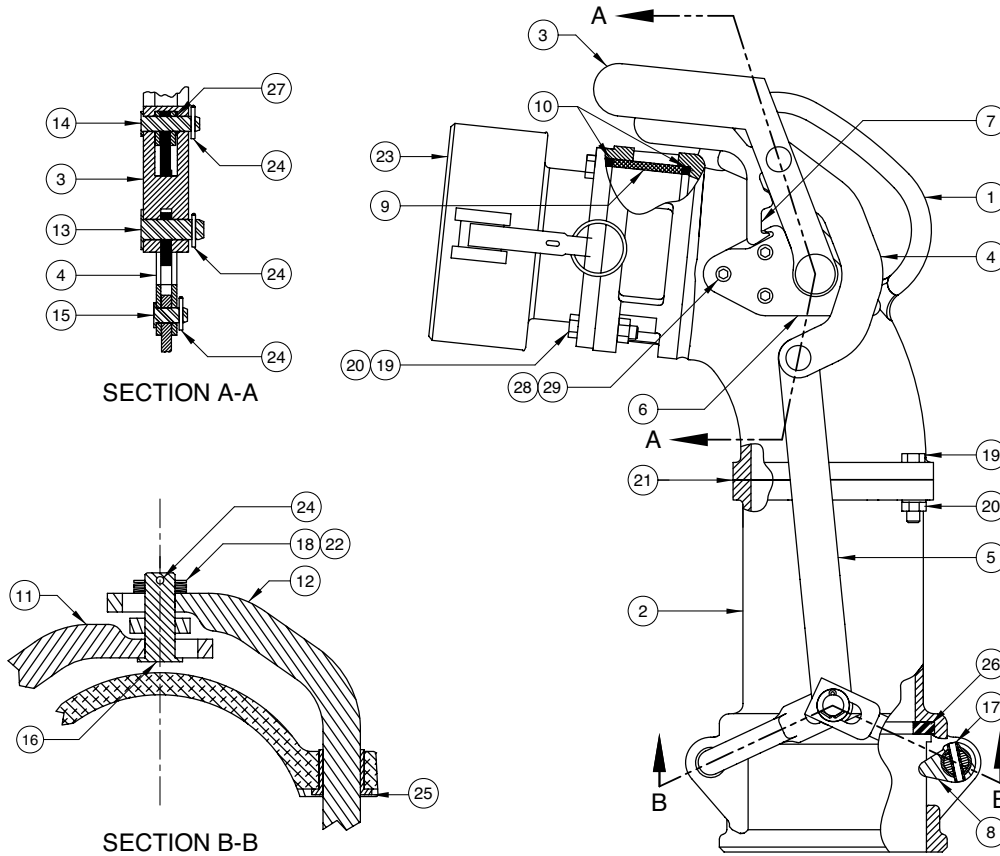
1 - Included in 65SGK, 2 - Included in 65HRK, 3 - Included in 65CRK, 4 - Included in 65HBK
5 - Included in 65LRK, 6 - Included in 65AFK, 7 - Included in 65DSK



65TTFC 4" Product Delivery Elbow

Replacement Parts

Rev. 0, January 2003



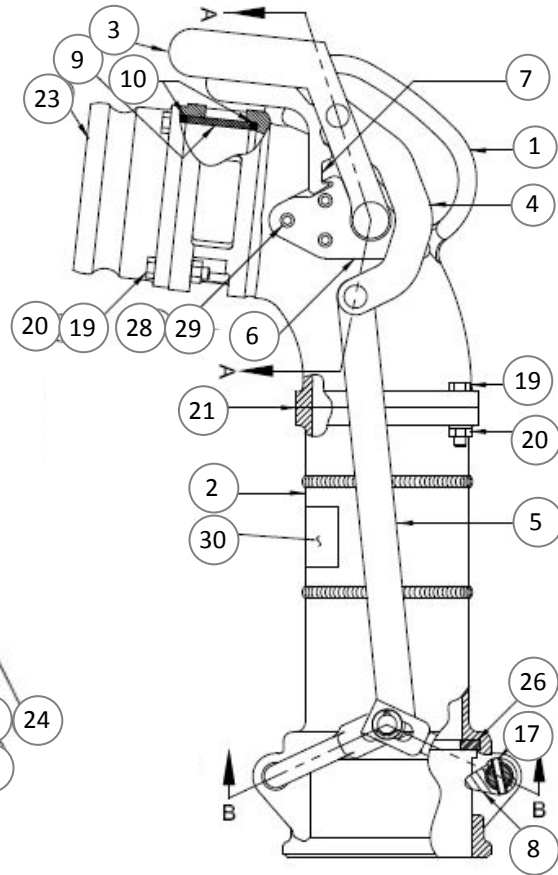
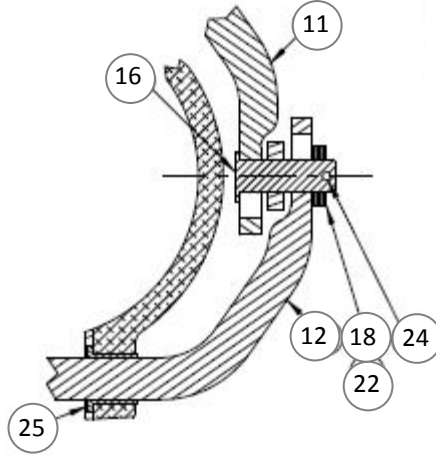
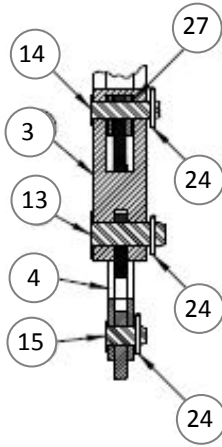
ITEM	PART NUMBER	DESCRIPTION	QTY.
1	E52358A	UPPER BODY	1
2	E52357A	LOWER BODY	1
3	E52360A	HANDLE ²	1
4	E52361M	UPPER LINK ⁵	1
5	E52362M	LOWER LINK ⁵	1
6	D52363M	HANDLE BRACKET ⁴	1
7	D52364M	LATCH ²	1
8	C52365B	CAM ³	2
9	C52372M	SIGHT GLASS ¹	1
10	H52373M	GASKET (BUNA) ^{1,6}	2
11	D52374M	DRIVE STEM (LEFT) ⁷	1
12	D52375M	DRIVE STEM (RIGHT) ⁷	1
13	H52380M	PIN (HANDLE) ²	1
14	H52381M	PIN (LATCH) ^{2,5}	1
15	H52382M	PIN (UPPER LINKAGE) ⁵	1
16	H20373M	PIN (LOWER LINKAGE) ^{5,7}	1
17	H20476M	SPRING PIN ³	4
18	H03866M	WASHER (7/16") ^{5,7}	6
19	H03114M	SCREW (HEX CAP) ^{1,6}	8
20	H06151M	HEX NUT ^{1,6}	8

ITEM	PART NUMBER	DESCRIPTION	QTY.
21	H10039M	GASKET (NEOPRENE FIBER)	1
22	H10088M	WASHER (SPRING) ^{5,7}	3
23	9868	ADAPTOR (KAMLOK FEMALE) ⁶	1
24	H51787M	COTTER PIN ^{2,5,7}	4
25	H10090M	FLANGE BEARING ⁷	4
26	H04137M	SEAT RING (BUNA)	1
27	4345	WASHER (3/8") ^{2,5}	1
28	H52071M	WASHER (1/4") ⁴	3
29	9163	SCREW (SOCKET) ⁴	3

REPAIR KITS		
PART NUMBER	DESCRIPTION	QTY.
65SGK	SIGHT GLASS REPLACEMENT KIT	N/A
65HRK	HANDLE REPLACEMENT KIT	N/A
65CRK	CAM REPLACEMENT KIT	N/A
65HBK	HANDLE BRKT REPLACEMENT KIT	N/A
65LRK	LINKAGE REPLACEMENT KIT	N/A
65AKK	ADAPTOR REPLACEMENT KIT	N/A
65DSK	DRIVE STEM REPLACEMENT KIT	N/A

1 - Included in 65SGK, 2 - Included in 65HRK, 3 - Included in 65CRK, 4 - Included in 65HBK
5 - Included in 65LRK, 6 - Included in 65AKK, 7 - Included in 65DSK

65TTT 4" Product Delivery Elbow



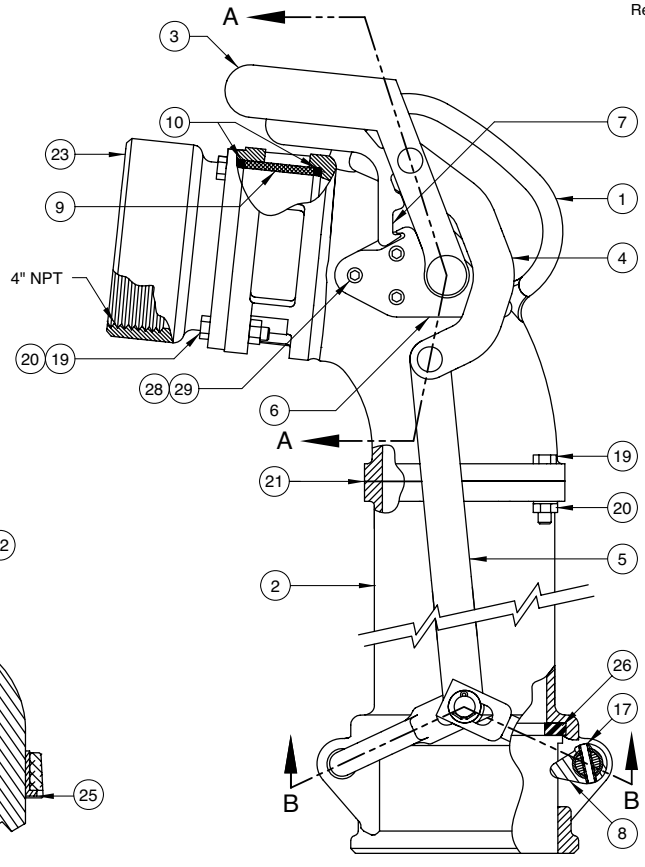
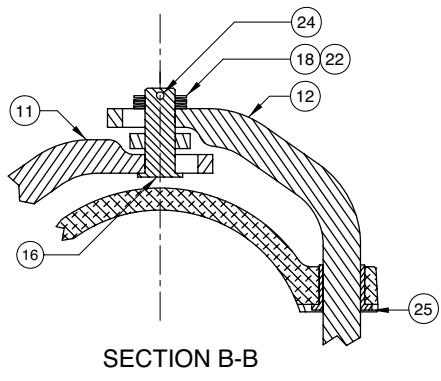
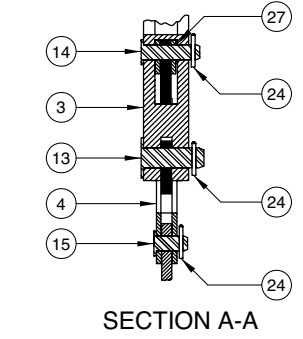
ITEM	PART NUMBER	DESCRIPTION	QTY.	ITEM	PART NUMBER	DESCRIPTION	QTY.
1	E52358A	UPPER BODY	1	16	H20373M	PIN (LOWER LINKAGE)	1
2	9675	LOWER BODY	1	17	H20476M	SPRING PIN	4
3	E52360A	HANDLE	1	18	H03866M	WASHER	6
4	E52361M	UPPER LINK	1	19	H03114M	HEX SCREW	8
5	9745	LOWER LINK	1	20	H06151M	HEX NUT	8
6	D52363M	HANDLE BRACKET	1	21	H10039M	GASKET (NEOPRENE)	1
7	D52364M	LATCH	1	22	H10088M	WASHER	3
8	C52365B	CAM	2	23	D10231A	MALE ADAPTOR	1
9	C52372M	SIGHT GLASS	1	24	H51787M	COTTER PIN	4
10	H52373M	GASKET (BUNA)	2	25	H10090M	FLANGE BEARING	4
11	D52374M	DRIVE STEM (LEFT)	1	26	H04137M	SEAT RING (BUNA)	1
12	D52375M	DRIVE STEM (RIGHT)	1	27	4345	WASHER (3/8")	1
13	H52380M	PIN (HANDLE)	1	28	H52071M	WASHER (1/4")	3
14	H52381M	PIN (LATCH)	1	29	12572	THREAD LOCK SCREW	3
15	H52382M	PIN (UPPER LINKAGE)	1	30	H20257M	WARNING LABEL	1



65TTTF 4" Product Delivery Elbow

Replacement Parts

Rev. 0, January 2003



ITEM	PART NUMBER	DESCRIPTION	QTY.
1	E52358A	UPPER BODY	1
2	9675	LOWER BODY	1
3	E52360A	HANDLE ²	1
4	E52361M	UPPER LINK ⁵	1
5	9745	LOWER LINK ⁵	1
6	D52363M	HANDLE BRACKET ⁴	1
7	D52364M	LATCH ²	1
8	C52365B	CAM ³	2
9	C52372M	SIGHT GLASS ¹	1
10	H52373M	GASKET (BUNA) ^{1,6}	2
11	D52374M	DRIVE STEM (LEFT) ⁷	1
12	D52375M	DRIVE STEM (RIGHT) ⁷	1
13	H52380M	PIN (HANDLE) ²	1
14	H52381M	PIN (LATCH) ^{2,5}	1
15	H52382M	PIN (UPPER LINKAGE) ⁵	1
16	H20373M	PIN (LOWER LINKAGE) ^{5,7}	1
17	H20476M	SPRING PIN ³	4
18	H03866M	WASHER (7/16") ^{5,7}	6
19	H03114M	SCREW (HEX CAP) ^{1,6}	8
20	H06151M	HEX NUT ^{1,6}	8

ITEM	PART NUMBER	DESCRIPTION	QTY.
21	H10039M	GASKET (NEOPRENE FIBER)	1
22	H10088M	WASHER (SPRING) ^{5,7}	3
23	D51595A	ADAPTOR (FEMALE) ⁶	1
24	H51787M	COTTER PIN ^{2,5,7}	4
25	H10090M	FLANGE BEARING ⁷	4
26	H04137M	SEAT RING (BUNA)	1
27	4345	WASHER (3/8") ^{2,5}	1
28	H52071M	WASHER (1/4") ⁴	3
29	9163	SCREW (SOCKET) ⁴	3

REPAIR KITS		
PART NUMBER	DESCRIPTION	QTY.
65SGK	SIGHT GLASS REPLACEMENT KIT	N/A
65HRK	HANDLE REPLACEMENT KIT	N/A
65CRK	CAM REPLACEMENT KIT	N/A
65HBK	HANDLE BRKT REPLACEMENT KIT	N/A
65LTK	LINKAGE REPLACEMENT KIT	N/A
65AFK	ADAPTOR REPLACEMENT KIT	N/A
65DSK	DRIVE STEM REPLACEMENT KIT	N/A

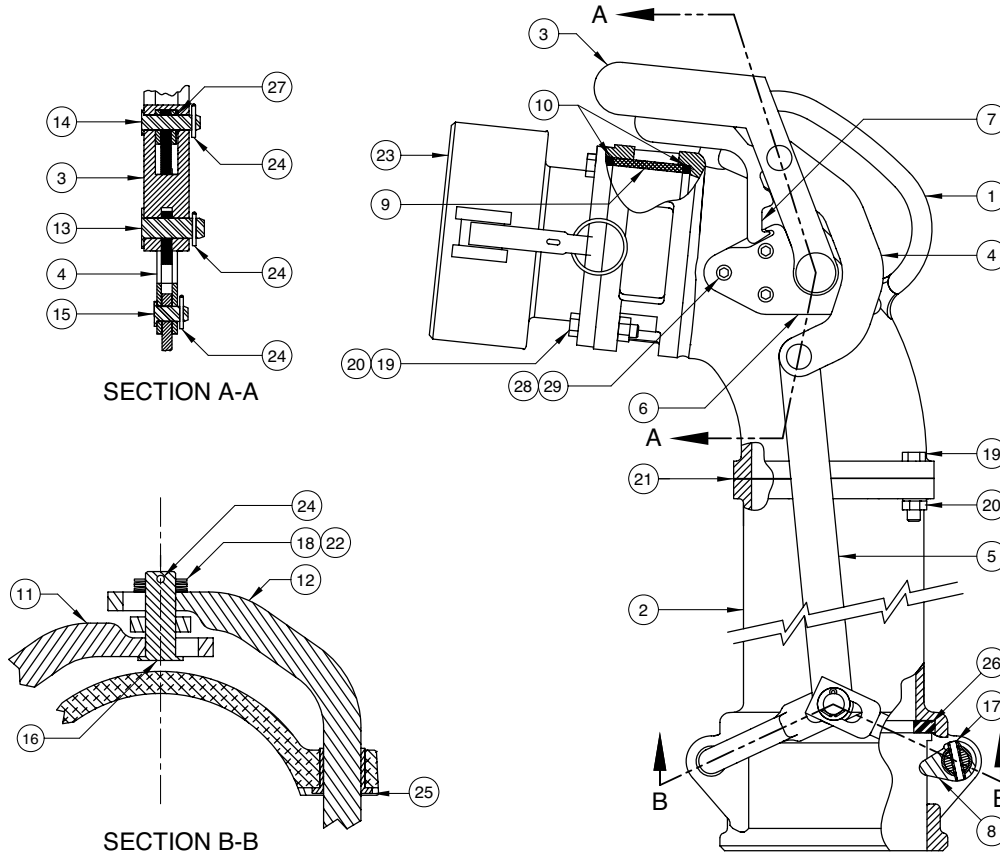
1 - Included in 65SGK, 2 - Included in 65HRK, 3 - Included in 65CRK, 4 - Included in 65HBK
5 - Included in 65LTK, 6 - Included in 65AFK, 7 - Included in 65DSK



65TTFC 4" Product Delivery Elbow

Replacement Parts

Rev. 0, January 2003



ITEM	PART NUMBER	DESCRIPTION	QTY.
1	E52358A	UPPER BODY	1
2	9675	LOWER BODY	1
3	E52360A	HANDLE ²	1
4	E52361M	UPPER LINK ⁵	1
5	9745	LOWER LINK ⁵	1
6	D52363M	HANDLE BRACKET ⁴	1
7	D52364M	LATCH ²	1
8	C52365B	CAM ³	2
9	C52372M	SIGHT GLASS ¹	1
10	H52373M	GASKET (BUNA) ^{1,6}	2
11	D52374M	DRIVE STEM (LEFT) ⁷	1
12	D52375M	DRIVE STEM (RIGHT) ⁷	1
13	H52380M	PIN (HANDLE) ²	1
14	H52381M	PIN (LATCH) ^{2,5}	1
15	H52382M	PIN (UPPER LINKAGE) ⁵	1
16	H20373M	PIN (LOWER LINKAGE) ^{5,7}	1
17	H20476M	SPRING PIN ³	4
18	H03866M	WASHER (7/16") ^{5,7}	6
19	H03114M	SCREW (HEX CAP) ^{1,6}	8
20	H06151M	HEX NUT ^{1,6}	8

ITEM	PART NUMBER	DESCRIPTION	QTY.
21	H10039M	GASKET (NEOPRENE FIBER)	1
22	H10088M	WASHER (SPRING) ^{5,7}	3
23	9868	ADAPTOR (KAMLOK FEMALE) ⁶	1
24	H51787M	COTTER PIN ^{2,5,7}	4
25	H10090M	FLANGE BEARING ⁷	4
26	H04137M	SEAT RING (BUNA)	1
27	4345	WASHER (3/8") ^{2,5}	1
28	H52071M	WASHER (1/4") ⁴	3
29	9163	SCREW (SOCKET) ⁴	3

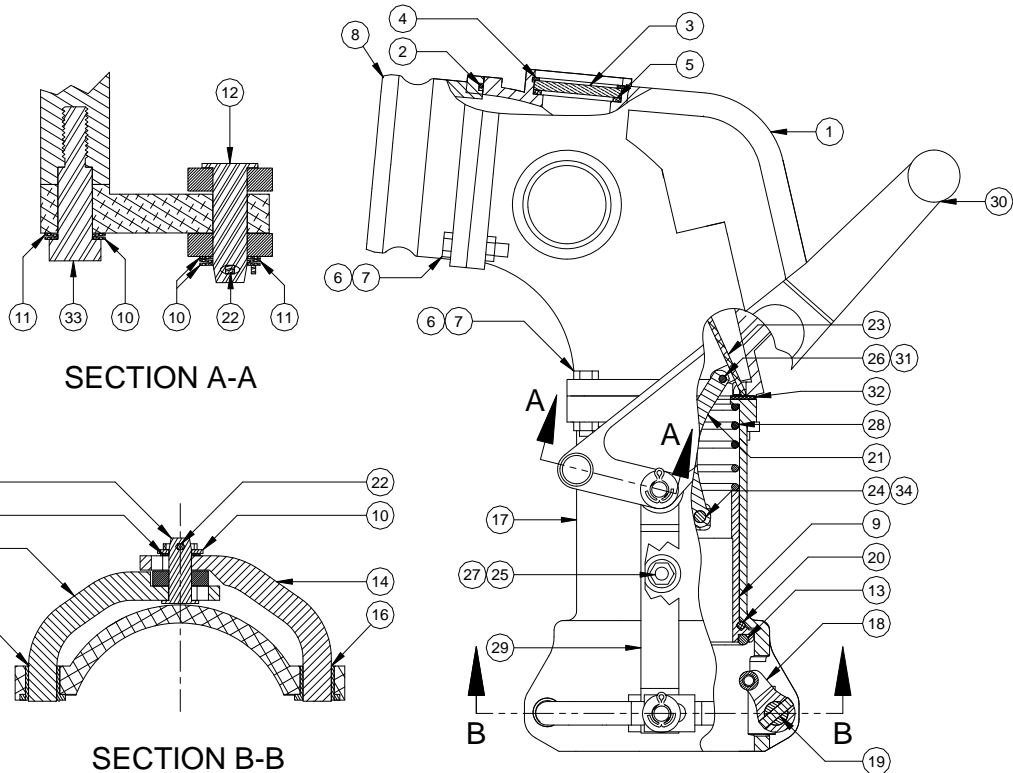
REPAIR KITS		
PART NUMBER	DESCRIPTION	QTY.
65SGK	SIGHT GLASS REPLACEMENT KIT	N/A
65HRK	HANDLE REPLACEMENT KIT	N/A
65CRK	CAM REPLACEMENT KIT	N/A
65HBK	HANDLE BRKT REPLACEMENT KIT	N/A
65LTK	LINKAGE REPLACEMENT KIT	N/A
65AKK	ADAPTOR REPLACEMENT KIT	N/A
65DSK	DRIVE STEM REPLACEMENT KIT	N/A

1 - Included in 65SGK, 2 - Included in 65HRK, 3 - Included in 65CRK, 4 - Included in 65HBK
5 - Included in 65LTK, 6 - Included in 65AKK, 7 - Included in 65DSK



70TT 4" Shut Off Delivery Elbow

PARTS BREAK DOWN



ITEM	PART NUMBER	DESCRIPTION	QTY.
1	E10235A ¹	UPPER BODY	1
2	H52373M ¹	O-RING BUNA	1
3	H20583M ^{1,3}	SIGHT GLASS	3
4	H20644M ^{1,3}	RETAINING RING	3
5	H20010M ^{1,3}	GASKET (BUNA)	3
6	H06151M ¹	HEX NUT	8
7	H03114M ¹	SCREW (HEX CAP)	8
8	D10231A ¹	ADAPTOR (MALE)	1
9	D10257AH	SLEEVE	1
10	H03866M	WASHER (FLAT)	6
11	H10088M	WASHER (SPRING)	4
12	H20373M	PIN	2
13	H20735M	O-RING (BUNA)	1
14	C10144M	DRIVE STEM (OUTER)	1
15	C10143M	DRIVE STEM (INNER)	1
16	H10090M	FLANGE BEARING	4
17	E10240A	LOWER BODY	1
18	H20495M	YOKE ASSEMBLY	2
19	H20476M	PIN	2

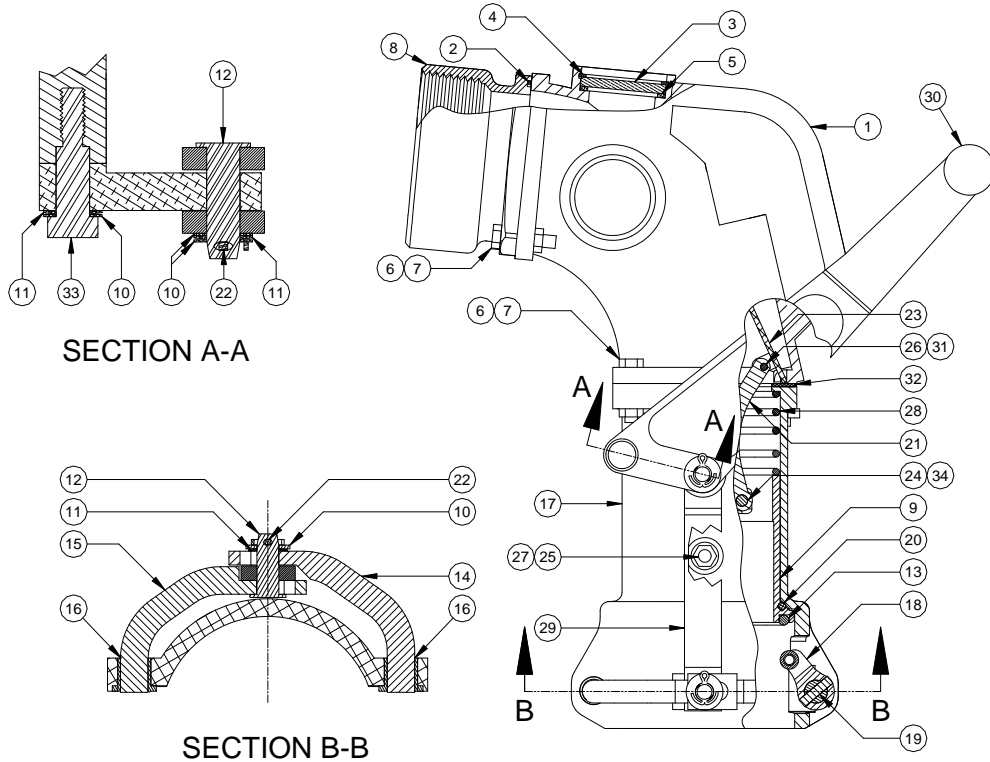
ITEM	PART NUMBER	DESCRIPTION	QTY.
20	H20842M ²	O-RING (BUNA)	1
21	H20640M ²	LINKAGE	1
22	H51787M	COTTER PIN	2
23	C10233M ²	FLAP	1
24	H20641M ²	ROD	1
25	H20518M	HEX SCREW	1
26	H20704M ²	CLEVIS PIN	1
27	H20074M	SEAL WASHER	1
28	H20647M	SPRING	1
29	C10146M	LINKAGE	1
30	C10125M	HANDLE	1
31	H04981M ²	COTTER PIN	1
32	H20638M ²	GASKET (BUNA)	1
33	H51427M	SCREW (SHOULDER)	1
34	H51786M ²	E-RING	2
REPAIR KITS			
E10235	UPPER BODY SUBASSEMBLY		
70TTRK	FLAP ASSEMBLY REPL. KIT		
70SGK	SIGHT GLASS REPAIR KIT		

1-included in E10235, 2-included in 70TTRK, 3- included in 70SGK



70TTF 4" Shut Off Delivery Elbow

PARTS BREAK DOWN



ITEM	PART NUMBER	DESCRIPTION	QTY.
1	E10235A ¹	UPPER BODY	1
2	H52373M ¹	O-RING BUNA	1
3	H20583M ^{1,3}	SIGHT GLASS	3
4	H20644M ^{1,3}	RETAINING RING	3
5	H20010M ^{1,3}	GASKET (BUNA)	3
6	H06151M ¹	HEX NUT	8
7	H03114M ¹	SCREW (HEX CAP)	8
8	D51595A ¹	ADAPTOR (FEMALE)	1
9	D10257AH	SLEEVE	1
10	H03866M	WASHER (FLAT)	2
11	H10088M	WASHER (SPRING)	2
12	H20373M	PIN	2
13	H20735M	O-RING (BUNA)	1
14	C10144M	DRIVE STEM (OUTER)	1
15	C10143M	DRIVE STEM (INNER)	1
16	H10090M	FLANGE BEARING	4
17	E10240A	LOWER BODY	1
18	H20495M	YOKE ASSEMBLY	2
19	H20476M	PIN	2

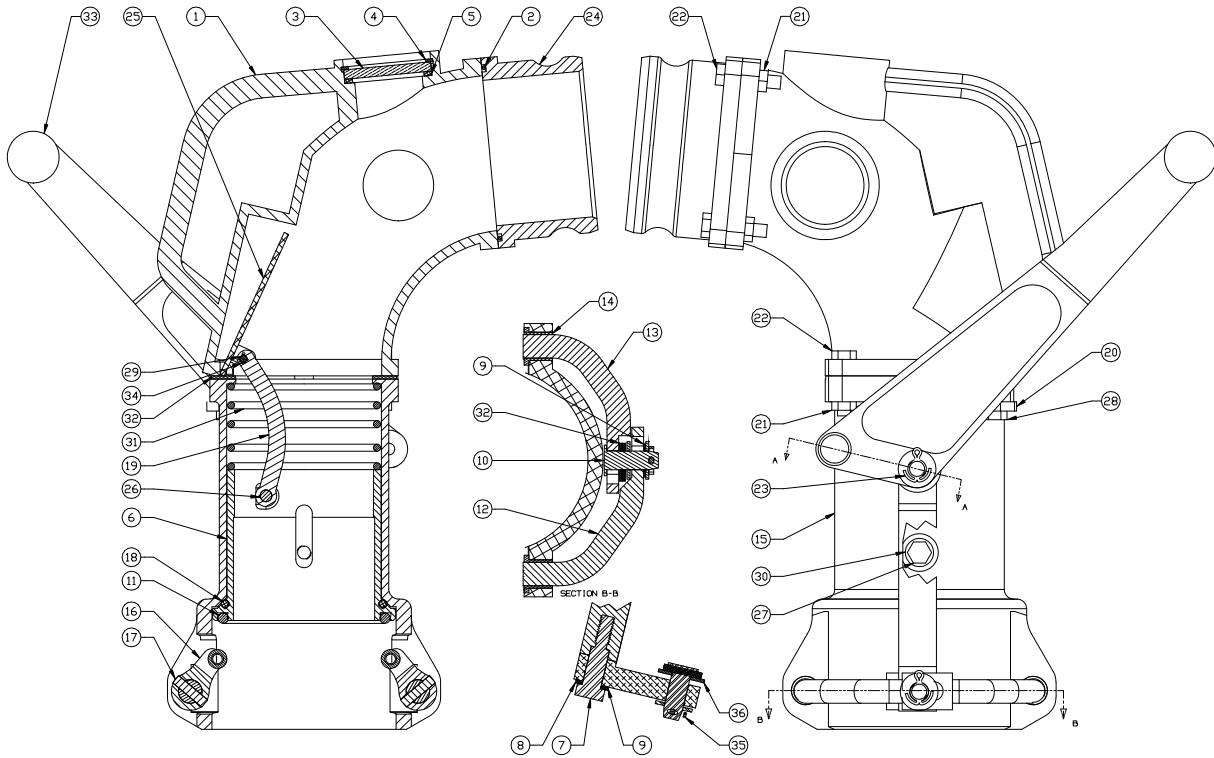
ITEM	PART NUMBER	DESCRIPTION	QTY.
20	H20842M ²	O-RING (BUNA)	1
21	H20640M ²	LINKAGE	1
22	H51787M	COTTER PIN	2
23	C10233M ²	FLAP	1
24	H20641M ²	ROD	1
25	H20518M	HEX SCREW	1
26	H20704M ²	CLEVIS PIN	1
27	H20074M	SEAL WASHER	1
28	H20647M	SPRING	1
29	C10146M	LINKAGE	1
30	C10125M	HANDLE	1
31	H04981M ²	COTTER PIN	1
32	H20638M ²	GASKET (BUNA)	1
33	H51427M	SCREW (SHOULDER)	1
34	H51786M ²	E-RING	2
REPAIR KITS			
E51634		UPPER BODY SUBASSEMBLY	
70TTRK		FLAP ASSEMBLY REPL. KIT	
70SGK		SIGHT GLASS REPAIR KIT	

1-included in E51634, 2-included in 70TTRK, 3- included in 70SGK



70TTL 4" Shut Off Delivery Elbow

PARTS BREAK DOWN

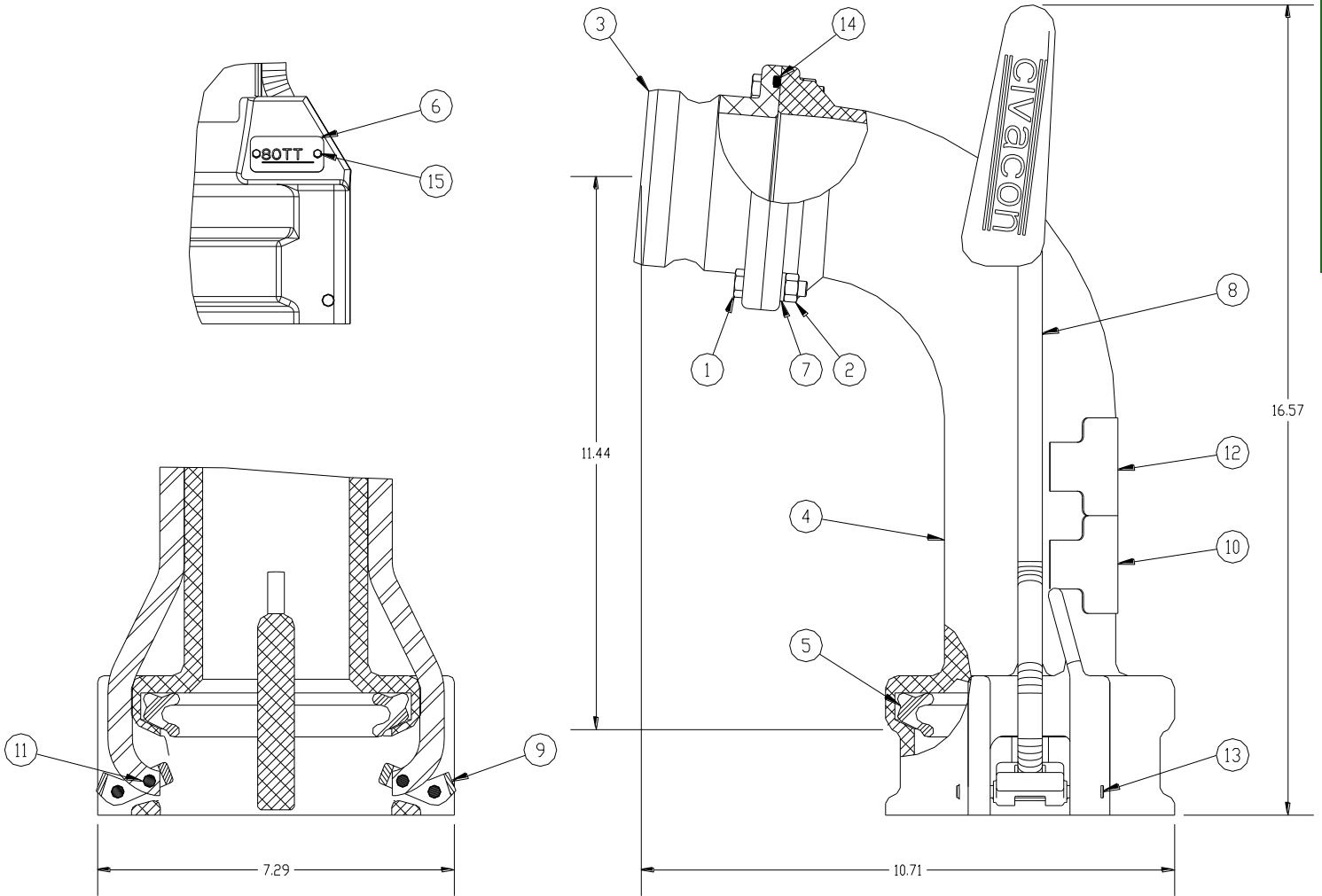


ITEM	PART NUMBER	DESCRIPTION	QTY.
1	E10235A ¹	UPPER BODY	1
2	H52373M ¹	O-RING BUNA	1
3	H20583M ^{1,3}	SIGHT GLASS	1
4	H20644M ^{1,3}	RETAINING RING	3
5	H20010M ^{1,3}	GASKET (BUNA)	3
6	D10257AH	SLEEVE	1
7	H51427M	SCREW (SHOULDER)	1
8	H03866M	WASHER (FLAT)	6
9	H10088M	WASHER (SPRING)	4
10	H20373M	PIN	2
11	H20735M	O-RING (BUNA)	1
12	C10144M	DRIVE STEM (OUTER)	1
13	C10143M	DRIVE STEM (INNER)	2
14	H10090M	FLANGE BEARING	4
15	E51411A	LOWER BODY	1
16	H20495M	YOKE ASSEMBLY	2
17	H20476M	PIN	2
18	H20842M ²	O-RING (BUNA)	1
19	H20640M ²	LINKAGE	1
20	C10146M	LINKAGE	1

ITEM	PART NUMBER	DESCRIPTION	QTY.
21	H06151M ¹	HEX NUT	8
22	H03114M ¹	SCREW (HEX CAP)	8
23	H51787M	COTTER PIN	2
24	D10231A ¹	ADAPTOR (MALE)	1
25	C10233M ²	FLAP	1
26	H20641M ²	ROD	1
27	H20074M	SEAL WASHER	1
28	H20518M	SCREW (HEX)	1
29	H20704M ²	CLEVIS PIN	1
30	H20710M	BOLT	1
31	H20647M	SPRING	1
32	H20638M ²	GASKET (BUNA)	1
33	C51665M	HANDLE	1
34	H04981M ²	COTTER PIN	1
35	H51519M	SET SCREW	2
36	H51786M ²	E-RING	1
REPAIR KITS			
E10235	UPPER BODY SUBASSEMBLY		
70TTRK	FLAP ASSEMBLY REPL. KIT		
70SGK	SIGHT GLASS REPAIR KIT		



80TT Vapor Recovery Elbow



ITEM	PART NUMBER	DESCRIPTION	QTY.
1	6112	Bolt, 5/16"-18 x 1	4
2	7816	Nut, 5/16"-18	4
3	11588	3" Cam & Groove Adaptor	1
4	12064	Machined Body	1
5	12157	Gasket, Buna-N	1
6	12226	Label	1
7	10806M	Lock Washer	4
8	C10078M	Handle	1

ITEM	PART NUMBER	DESCRIPTION	QTY.
9	C10079A	Cam Lever	2
10	C10104M	Label	1
11	H20140M	Groove Pin	2
12	H20257M	Label	1
13	H20304M	Groove Pin	2
14	H52373M	O-Ring, Buna-N	1
15	H53001M	Screw (Label)	2