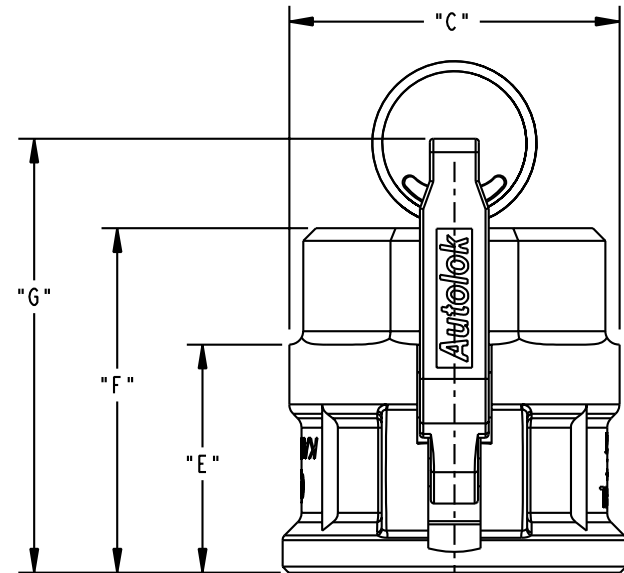
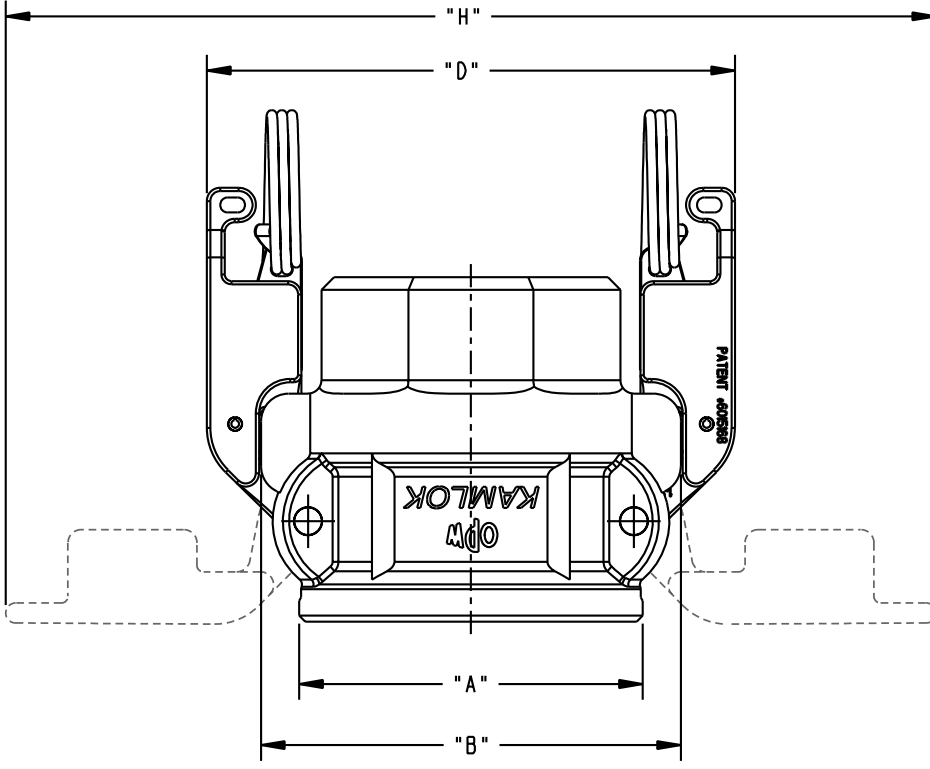
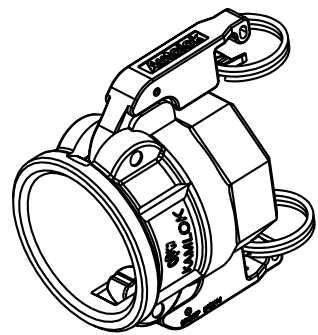


THIS DRAWING IS NOT TO BE SCALED. FOR ADDITIONAL INFORMATION, PLEASE CONTACT OUR ENGINEERING DEPT.

REVISIONS					
LTR	ECN #	DESCRIPTION	DRAWN	APPROVED	DATE
A	41367	UPDATED DIMS FOR REVISED ARMS	JPR	NAC	05-22-03



4" 733DLW	5.53	6.25	5.53	7.16	2.31	3.75	4.22	11.69
3" 733DLW	4.31	5.14	4.25	6.06	2.28	3.56	4.22	10.56
2-1/2" 733DLW	3.50	4.25	3.59	5.22	2.19	3.56	3.98	9.41
2" 733DLW	3.09	3.78	2.97	4.75	2.06	3.16	3.91	8.94
1-1/2" 733DLW	2.59	3.41	2.59	4.38	1.81	2.88	3.78	8.56
1-1/4" 733DLW	2.28	3.12	2.28	4.09	1.88	2.88	3.78	8.25
1" 733DLW	1.86	2.50	1.86	3.41	1.62	2.53	2.56	5.59
3/4" 733DLW	1.62	2.31	1.62	3.22	1.25	2.12	2.34	5.28
1/2" 733DLW	1.62	2.31	1.62	3.22	1.25	1.81	2.34	5.28
COUPLER SIZE	"A"	"B"	"C"	"D"	"E"	"F"	"G"	"H"



CONFIDENTIAL THIS DOCUMENT CONTAINS INFORMATION WHICH IS PROPRIETARY TO OPW, AND SHOULD BE PROTECTED ACCORDINGLY.			DESCRIPTION: AUTOLOK COUPLER DIMENSIONS		
UNLESS OTHERWISE SPECIFIED TOLERANCES ON DIMENSIONS 3 DECIMALS +/- 0.005 2 DECIMALS +/- 0.015 1 DECIMAL +/- 0.030 ANGLES +/- 1/2 DEG MACHINED SURFACES 125 RMS MAX	SIGNATURES	MO-DA-YR	REV:	PART NUMBER:	
	DRAWN: JPR	09-24-01	A	733DLW	
	CHECKED: NAC	09-30-01	C	SCALE: NONE	
	MATERIAL: 316 SST	WEIGHT: -	SHEET 1 OF 1		3D GENERATED DRAWING
OPW Engineered Systems A DOVER Resources Company Lebanon, Ohio 45036 USA					