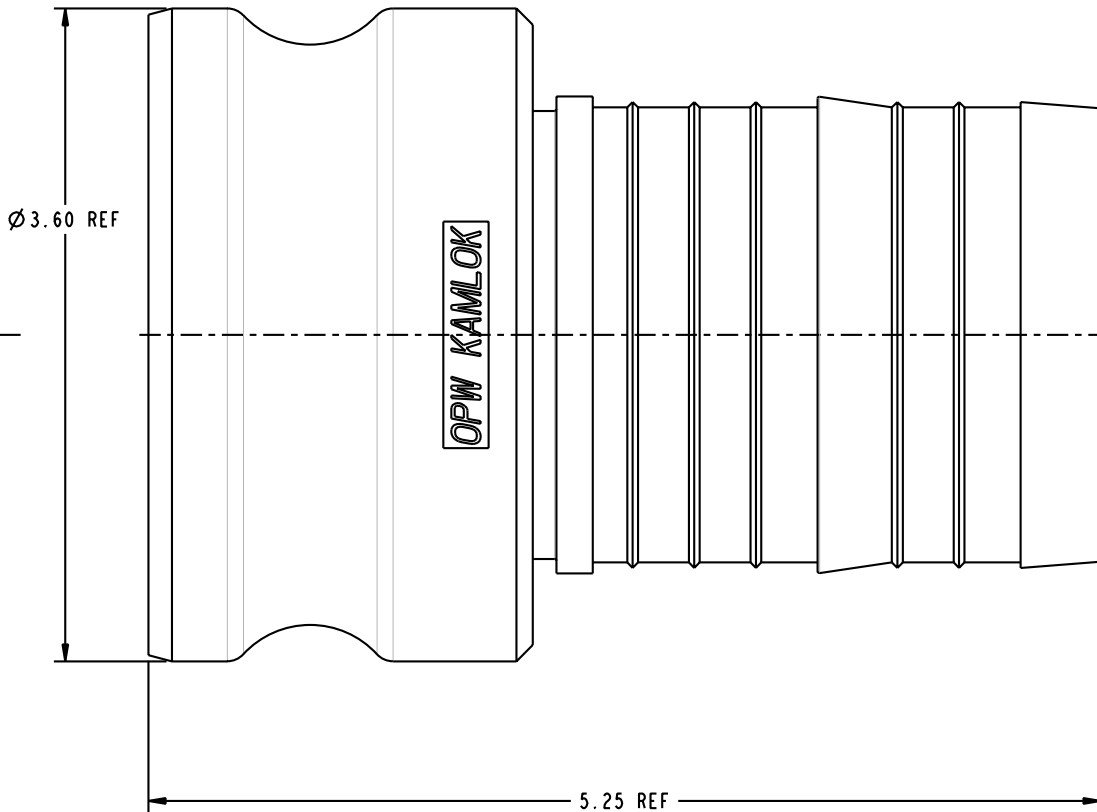
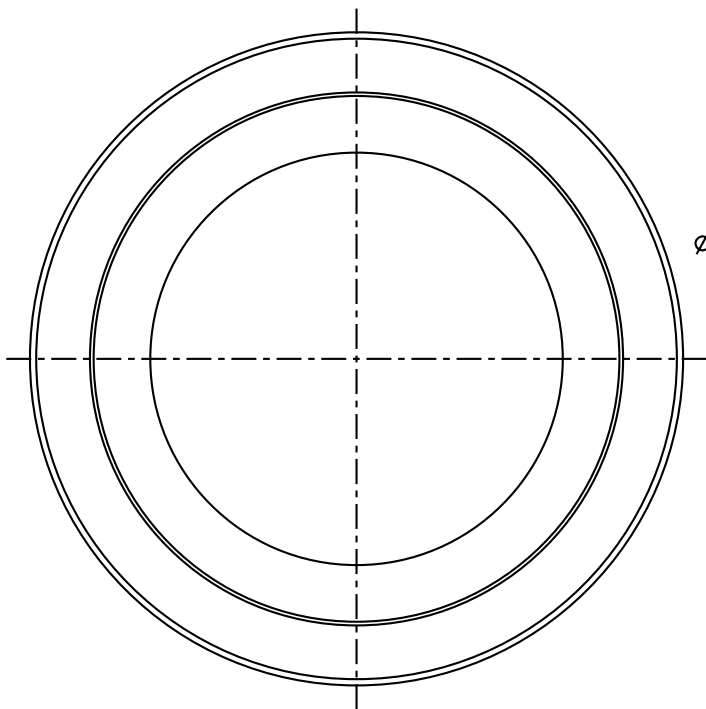


THIS DRAWING IS NOT TO BE SCALED. FOR ADDITIONAL INFORMATION, PLEASE CONTACT OUR ENGINEERING DEPT.

REVISIONS			DRAWN	APPROVED	DATE
LTR	ECN #	DESCRIPTION	JPR	NAC	03-25-08
A	41587	REVISED HOSE SHANK			



- NOTES:  
 1. MATERIAL: ASTM A351 CF-8M 316 STAINLESS STEEL.  
 2. REFERENCE D-51414-M.

<b>CONFIDENTIAL</b> THIS DOCUMENT CONTAINS INFORMATION WHICH IS PROPRIETARY TO OPW, AND SHOULD BE PROTECTED ACCORDINGLY.		DESCRIPTION: 633EH KAMLOK ADAPTOR, SST, 3" x 2-1/2"	
UNLESS OTHERWISE SPECIFIED TOLERANCES ON DIMENSIONS 3 DECIMALS +/- 0.005 2 DECIMALS +/- 0.015 1 DECIMAL +/- 0.030 ANGLES +/- 1/2 DEG MACHINED SURFACES 125 RMS MAX		SIGNATURES	MO-DA-YR
DRAWN:	JPR	01-16-08	REV: A
CHECKED:	NAC	01-23-08	SIZE: D
MATERIAL:	A351-CF8M	WEIGHT:	2.91#
PART NUMBER: 633EH-SS3025		SCALE: 2.000 SHEET 1 OF 1	
<b>OPW</b> <i>Engineered Systems</i> <small>A ISOVER Resources Company</small> Lebanon, Ohio 45036 USA		3D GENERATED DRAWING	