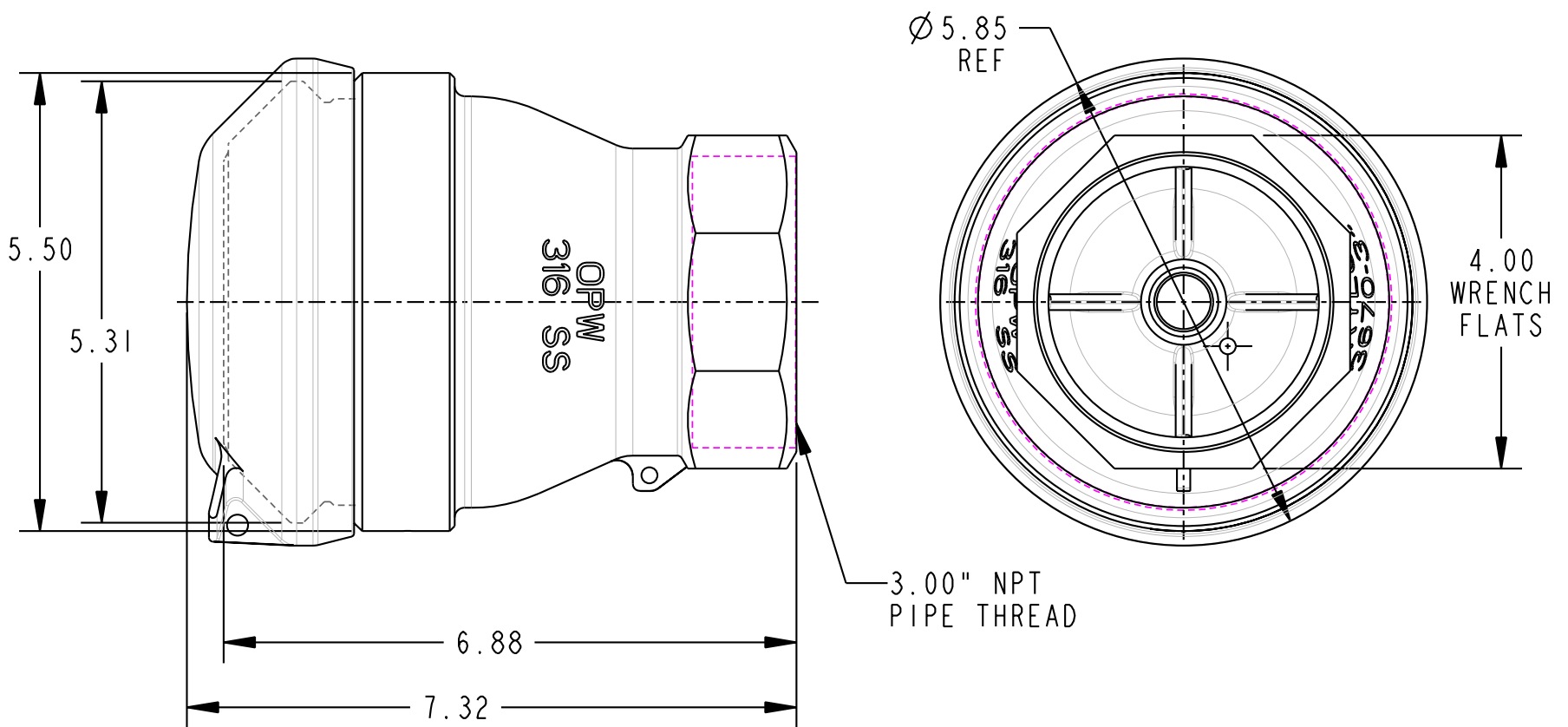


THIS DRAWING IS NOT TO BE SCALED. FOR ADDITIONAL INFORMATION, PLEASE CONTACT OUR ENGINEERING DEPT.

REVISIONS					
LTR	ECN #	DESCRIPTION	DRAWN	APPROVED	DATE
-	-	-	-	-	-



CONFIDENTIAL THIS DOCUMENT CONTAINS INFORMATION WHICH IS PROPRIETARY TO OPW, AND SHOULD BE PROTECTED ACCORDINGLY.

DESCRIPTION:

3" DRYLOK ADAPTOR

UNLESS OTHERWISE SPECIFIED
 TOLERANCES ON DIMENSIONS
 3 DECIMALS +/- 0.005
 2 DECIMALS +/- 0.015
 1 DECIMAL +/- 0.030
 ANGLES +/- 1/2 DEG
 MACHINED SURFACES 125 RMS MAX

SIGNATURES		MO-DA-YR
DRAWN BY:	UAS	30FEB98
CHECKED BY:	-	-
MATERIAL:	WEIGHT:	

REV
REL
SIZE
H

PART NUMBER:	5670-730N
SCALE: 0.500	
SHEET 1 OF 1	

OPW Engineered Systems
 A **DOVER** Resources Company
 Lebanon, Ohio 45036 USA
 3D GENERATED DRAWING