

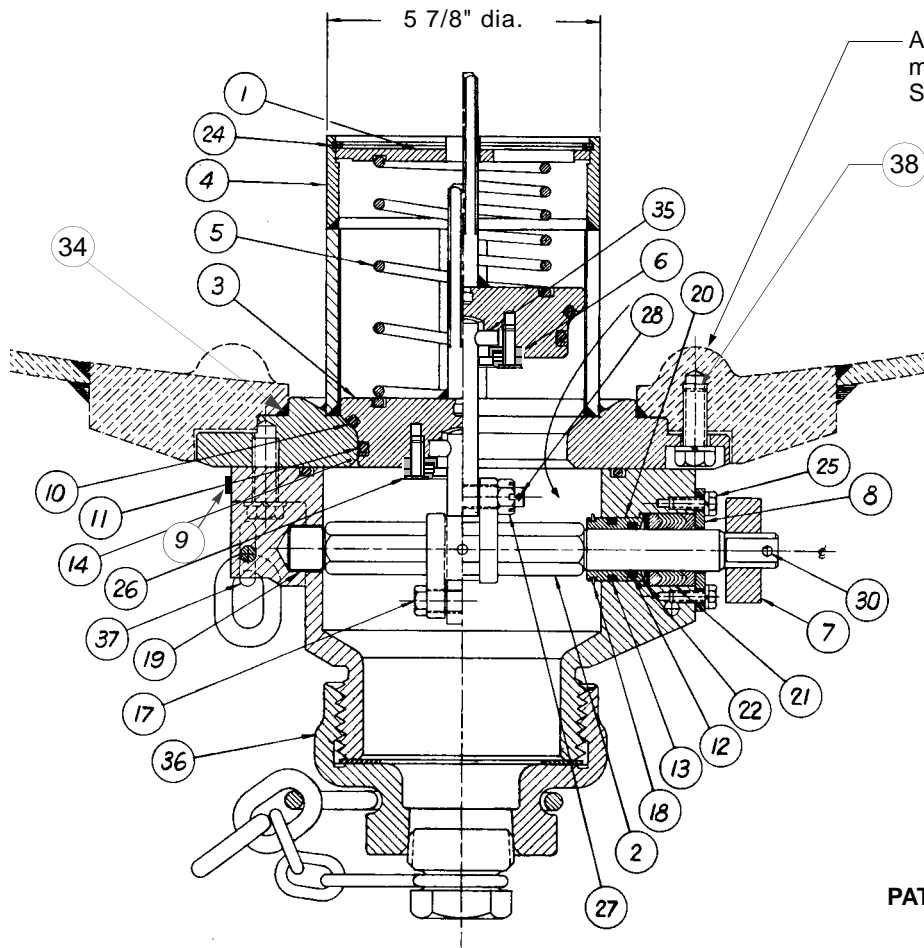
**BOTTOM EQUIPMENT**

**A-549-CS-JC, A-549-XS-JC,  
A-549-SS-JC, A-549-MO-JC**

© 2003 Midland Manufacturing Corp.

All designs subject to change without notice. Installation dimensions and mounting arrangements are for general information. Certified drawings are available upon request.

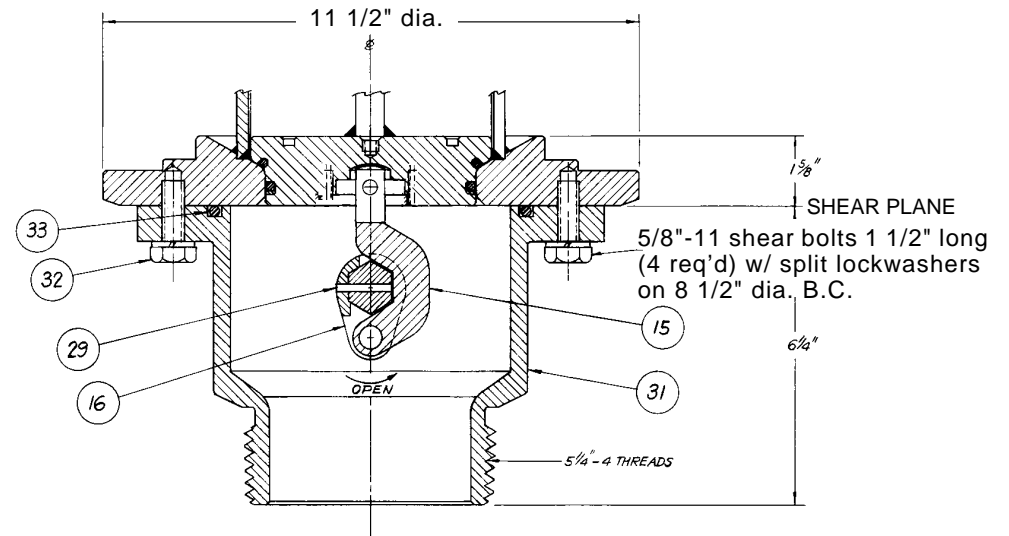
**OUTLET VALVE - LOW PROFILE REPLACEMENT**



ACF Industries tank mounting flange 4-G-9259. SEE NOTE

NOTE: APPROVED FOR PROTECTION LEVEL A OF AAR CIRCULAR D.V. 2007 .

38 1/2"-13 x 1 1/4" long hex. head capscrews ASTM A-449 on 10" dia. B.C. with medium split lockwashers (8 each req'd).



PATENT 5,342,026



TO PLACE AN ORDER, OR JUST ASK A QUESTION, CALL (847) 677 - 0333 OR FAX (847) 677 - 0138

REVISION 4.0

3/30/04



TO PLACE AN ORDER, OR JUST ASK A QUESTION, CALL (847) 677 - 0333 OR FAX (847) 677 - 0138

REVISION 4.0

10/3/05

| ITEM NO. | QTY. | PART NAME                            | A-549-CS-JC (CARBON STEEL/SS TRIM) |            | A-549-XS-JC (CS/ SS TRIM & CAGE) |            | A-549-SS-JC (TYPE 304 SS) |            | A-549-MO-JC (TYPE 316 SS) |            |
|----------|------|--------------------------------------|------------------------------------|------------|----------------------------------|------------|---------------------------|------------|---------------------------|------------|
|          |      |                                      | MATERIAL                           | PART NO.   | MATERIAL                         | PART NO.   | MATERIAL                  | PART NO.   | MATERIAL                  | PART NO.   |
| 1        | 1    | TOP GUIDE                            | STEEL                              | 549-1-CS   | STAINLESS                        | 549-1-SS   | STAINLESS                 | 549-1-SS   | STAINLESS                 | 549-1-MO   |
| 2        | 1    | SHAFT <sup>(4)</sup>                 | STAINLESS                          | 545-2-SS   | STAINLESS                        | 545-2-SS   | STAINLESS                 | 545-2-SS   | STAINLESS                 | 545-2-SS   |
| 3        | 1    | RETAINER ASM <sup>(3)</sup>          | STAINLESS                          | 549-3-SS   | STAINLESS                        | 549-3-SS   | STAINLESS                 | 549-3-SS   | STAINLESS                 | 549-3-MO   |
| 4        | 1    | BODY                                 | STEEL/ SS SEAT                     | 547-4-CS   | STEEL/ SS SEAT, CAGE             | 547-4-XS   | STAINLESS                 | 547-4-SS   | STAINLESS                 | 547-4-MO   |
| 5        | 1    | SPRING                               | STAINLESS                          | 545-5-SS   | STAINLESS                        | 545-5-SS   | STAINLESS                 | 545-5-SS   | STAINLESS                 | 545-5-MO   |
| 6        | 1    | RETAINER COVER ASM <sup>(3)</sup>    | STAINLESS                          | 549-61-SS  | STAINLESS                        | 549-61-SS  | STAINLESS                 | 549-61-SS  | STAINLESS                 | 549-61-MO  |
| 7        | 1    | HANDLE <sup>(2)</sup>                | STEEL                              | 549-7-CS   | STEEL                            | 549-7-CS   | STEEL                     | 549-7-CS   | STEEL                     | 549-7-CS   |
| 8        | 1    | PACKING FLANGE <sup>(4)</sup>        | STEEL, PLATED                      | 549-8-CS   | STEEL, PLATED                    | 549-8-CS   | STEEL, PLATED             | 549-8-CS   | STEEL, PLATED             | 549-8-CS   |
| 9        | 1    | NAMEPLATE                            | STAINLESS                          | 549-9-SS   | STAINLESS                        | 549-9-SS   | STAINLESS                 | 549-9-SS   | STAINLESS                 | 549-9-SS   |
| 10       | 1    | SEAT "O" RING <sup>(1)</sup>         | BUNA-N <sup>(1)</sup>              | 545-10-BN  | BUNA-N <sup>(1)</sup>            | 545-10-BN  | BUNA-N <sup>(1)</sup>     | 545-10-BN  | BUNA-N <sup>(1)</sup>     | 545-10-BN  |
| 11       | 1    | BORE "O" RING <sup>(1)</sup>         | BUNA-N <sup>(1)</sup>              | 545-11-BN  | BUNA-N <sup>(1)</sup>            | 545-11-BN  | BUNA-N <sup>(1)</sup>     | 545-11-BN  | BUNA-N <sup>(1)</sup>     | 545-11-BN  |
| 12       | 1    | SHAFT "O" RING <sup>(1)</sup>        | BUNA-N <sup>(1)</sup>              | 545-12-BN  | BUNA-N <sup>(1)</sup>            | 545-12-BN  | BUNA-N <sup>(1)</sup>     | 545-12-BN  | BUNA-N <sup>(1)</sup>     | 545-12-BN  |
| 13       | 1    | BUSHING "O" RING <sup>(1)</sup>      | BUNA-N <sup>(1)</sup>              | 545-13-BN  | BUNA-N <sup>(1)</sup>            | 545-13-BN  | BUNA-N <sup>(1)</sup>     | 545-13-BN  | BUNA-N <sup>(1)</sup>     | 545-13-BN  |
| 14       | 1    | WIPER RING <sup>(3)</sup>            | PTFE                               | 545-14-TF  | PTFE                             | 545-14-TF  | PTFE                      | 545-14-TF  | PTFE                      | 545-14-TF  |
| 15       | 1    | CAM LEVER <sup>(3)</sup>             | STAINLESS                          | 549-15-SS  | STAINLESS                        | 549-15-SS  | STAINLESS                 | 549-15-SS  | STAINLESS                 | 549-15-SS  |
| 16       | 1    | CAM <sup>(4)</sup>                   | STAINLESS                          | 545-16-SS  | STAINLESS                        | 545-16-SS  | STAINLESS                 | 545-16-SS  | STAINLESS                 | 545-16-SS  |
| 17       | 1    | CAM BOLT                             | STAINLESS                          | 545-17-N60 | STAINLESS                        | 545-17-N60 | STAINLESS                 | 545-17-N60 | STAINLESS                 | 545-17-N60 |
| 18       | 1    | RETAINER RING <sup>(4)</sup>         | STAINLESS                          | 545-18-SS  | STAINLESS                        | 545-18-SS  | STAINLESS                 | 545-18-SS  | STAINLESS                 | 545-18-SS  |
| 19       | 1    | SHAFT BUSHING <sup>(4)</sup>         | STAINLESS                          | 545-19-N60 | STAINLESS                        | 545-19-N60 | STAINLESS                 | 545-19-N60 | STAINLESS                 | 545-19-N60 |
| 20       | 1    | PACKING BUSHING <sup>(4)</sup>       | STAINLESS                          | 545-20-N60 | STAINLESS                        | 545-20-N60 | STAINLESS                 | 545-20-N60 | STAINLESS                 | 545-20-N60 |
| 21       | 1    | PACKING SET <sup>(4)</sup>           | PTFE                               | 549-21-TF  | PTFE                             | 549-21-TF  | PTFE                      | 549-21-TF  | PTFE                      | 549-21-TF  |
| 22       | 1    | PACKING SPRING <sup>(4)</sup>        | STAINLESS                          | 549-22-SS  | STAINLESS                        | 549-22-SS  | STAINLESS                 | 549-22-SS  | STAINLESS                 | 549-22-SS  |
| 23       |      |                                      |                                    |            |                                  |            |                           |            |                           |            |
| 24       | 1    | RETAINER RING                        | STAINLESS                          | 549-24-SS  | STAINLESS                        | 549-24-SS  | STAINLESS                 | 549-24-SS  | STAINLESS                 | 549-24-MO  |
| 25       | 4    | PACKING BOLT, LKW <sup>(4)</sup>     | STAINLESS                          | 545-25-MO  | STAINLESS                        | 545-25-MO  | STAINLESS                 | 545-25-MO  | STAINLESS                 | 545-25-MO  |
| 26       | 4    | RETAINER BOLT, LKW <sup>(3)</sup>    | STAINLESS                          | 545-26-MO  | STAINLESS                        | 545-26-MO  | STAINLESS                 | 545-26-MO  | STAINLESS                 | 545-26-MO  |
| 27       | 1    | CAM BOLT NUT                         | STEEL, PLATED                      | 545-27-MO  | STEEL, PLATED                    | 720-20-CS  | STAINLESS                 | 720-20-CS  | STAINLESS                 | 720-20-CS  |
| 28       | 1    | CAM BOLT PIN                         | STAINLESS                          | 545-28-SS  | STAINLESS                        | 545-28-SS  | STAINLESS                 | 545-28-SS  | STAINLESS                 | 545-28-MO  |
| 29       | 1    | CAM PIN <sup>(4)</sup>               | STAINLESS                          | 545-29-MO  | STAINLESS                        | 545-29-MO  | STAINLESS                 | 545-29-MO  | STAINLESS                 | 545-29-MO  |
| 30       | 1    | HANDLE PIN                           | STAINLESS                          | 545-30-SS  | STAINLESS                        | 545-30-SS  | STAINLESS                 | 545-30-SS  | STAINLESS                 | 545-30-SS  |
| 31       | 1    | BASE <sup>(4)</sup>                  | DUCTILE IRON                       | 549-31-DI  | DUCTILE IRON                     | 549-31-DI  | STAINLESS                 | 549-31-SS  | STAINLESS                 | 549-31-MO  |
| 32       | 1    | BASE BOLT, LOCKWASHER <sup>(4)</sup> | STEEL, PLATED                      | 547-32-CS  | STEEL, PLATED                    | 547-32-CS  | STEEL, PLATED             | 547-32-CS  | STEEL, PLATED             | 547-32-CS  |
| 33       | 1    | BASE "O" RING <sup>(4)</sup>         | BUNA-N <sup>(1)</sup>              | 547-33-BN  | BUNA-N <sup>(1)</sup>            | 547-33-BN  | BUNA-N <sup>(1)</sup>     | 547-33-BN  | BUNA-N <sup>(1)</sup>     | 547-33-BN  |
| 34       | 1    | O RING                               | BUNA-N <sup>(1)</sup>              | 547-34-BN  | BUNA-N <sup>(1)</sup>            | 547-34-BN  | BUNA-N <sup>(1)</sup>     | 547-34-BN  | BUNA-N <sup>(1)</sup>     | 547-34-BN  |
| 35       | 1    | PIN <sup>(3)</sup>                   | STAINLESS                          | 549-35-N60 | STAINLESS                        | 549-35-N60 | STAINLESS                 | 549-35-N60 | STAINLESS                 | 549-35-N60 |
| 36       | 1    | CAP ASSEMBLY                         | DUCTILE IRON                       | 55-DI      | DUCTILE IRON                     | 55-DI      | STAINLESS                 | 55-SS      | STAINLESS                 | 55-MO      |
| 37       | 1    | EYEBOLT, NUT, LOCKWASHER             | STEEL                              | 549-37-CS  | STEEL                            | 549-37-CS  | STEEL                     | 549-37-CS  | STEEL                     | 549-37-CS  |
| 38A      | 8    | CAPSCREW                             | STAINLESS                          | 724-15-SS  | STAINLESS                        | 724-15-SS  | STAINLESS                 | 724-15-SS  | STAINLESS                 | 724-15-SS  |
| 39B      | 8    | LOCKWASHER                           | STAINLESS                          | 724-152-SS | STAINLESS                        | 724-152-SS | STAINLESS                 | 724-152-SS | STAINLESS                 | 724-152-SS |

NOTE: 1 Alternate material available. 2. Alternate handle shapes available. 3. Included in retainer assembly replacement kit 549-0300. 4. Included in base assembly replacement kit 549-3100

**BOTTOM EQUIPMENT**

**A-549-CS-JC, A-549-XS-JC**

**OUTLET VALVE - LOW PROFILE REPLACEMENT**

**A-549-SS-JC, A-549-MO-JC**

© 2003 Midland Manufacturing Corp.

All designs subject to change without notice. Installation dimensions and mounting arrangements are for general information. Certified drawings are available upon request.

**BOTTOM EQUIPMENT**